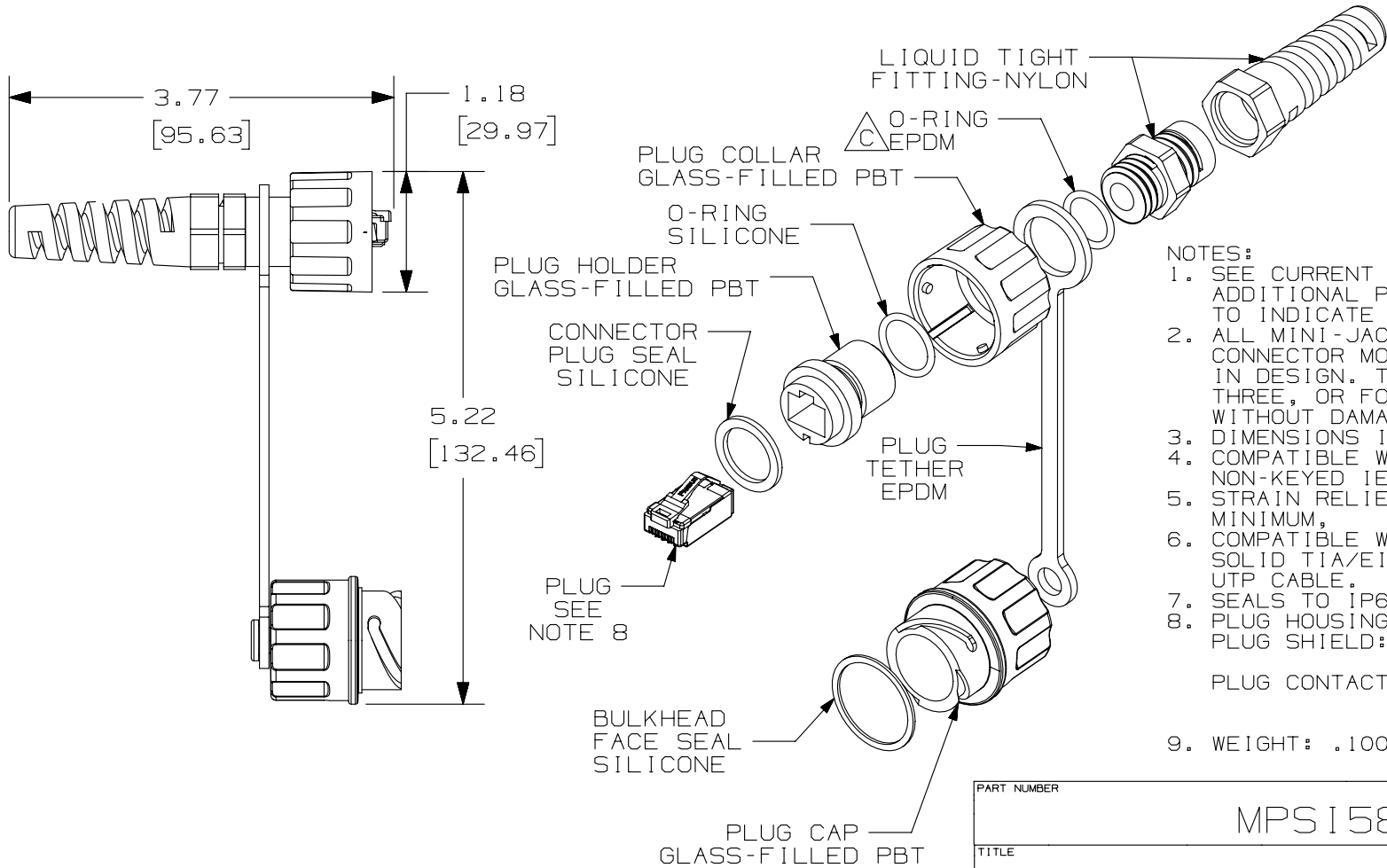


THIS COPY IS PROVIDED ON A RESTRICTED BASIS AND IS NOT TO BE USED IN ANY WAY DETRIMENTAL TO THE INTERESTS OF PANDUIT CORP.

PANDUIT P/N	WEIGHT (APPROX.)
MPSI588T	.1007 LB (45.7g) EA



- NOTES:
1. SEE CURRENT CATALOG FOR ADDITIONAL PART NUMBER SUFFIXES TO INDICATE PACKAGE QUANTITY.
 2. ALL MINI-JACK 8 POSITION, 8 WIRE CONNECTOR MODULES ARE UNIVERSAL IN DESIGN. THEY WILL ACCEPT TWO, THREE, OR FOUR PAIR MODULAR PLUGS WITHOUT DAMAGE.
 3. DIMENSIONS IN [] ARE METRIC.
 4. COMPATIBLE WITH 8 POSITION, NON-KEYED IEC 60603-7 PLUG.
 5. STRAIN RELIEF TO 25 LBS. MINIMUM.
 6. COMPATIBLE WITH STRANDED AND SOLID TIA/EIA 56813 COMPLIANT UTP CABLE.
 7. SEALS TO IP67.
 8. PLUG HOUSING: UL94V-0 PC
PLUG SHIELD: CARTRIDGE BRASS, NICKEL PLATING
PLUG CONTACT: PHOS. BRONZE, GOLD PLATING, NICKEL UNDERPLATE
 9. WEIGHT: .1007 LBS/EA

PART NUMBER		MPSI588T	
TITLE			
INDUSTRIALNET TX5E SHIELDED MODULAR PLUG			
CUSTOMER DRAWING			
ITEM REVISION NAME		M01245CE/04	
DATASET FILE NAME		M01245CE_DC23/04A	
UNLESS OTHERWISE SPECIFIED, DIMENSIONAL TOLERANCES ARE: IN [mm]		MATERIAL:	
.x ± .xxx ± .010 [.3]		DRAWING NUMBER:	
.xx ± .03 [.8]		01245-23	
ANGLES ±		THIRD ANGLE PROJECTION	
DRAWN BY		SCALE	
MDJR		NONE	
DATE		SHT 1 OF 1	
5-30-03		A	
CHK		SIZE	
KLR		A	

REV	DATE	BY	CHK	APR	DESCRIPTION	ECN
4	4-22-14	MDJR	REFR	GAZ	REVISED AND REDRAWN, ALL PREVIOUS REVISIONS OMITTED. A. UPDATED TITLE BLOCK.	01245-23

D10100DA/14

2

1

2

1