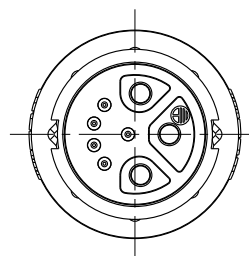
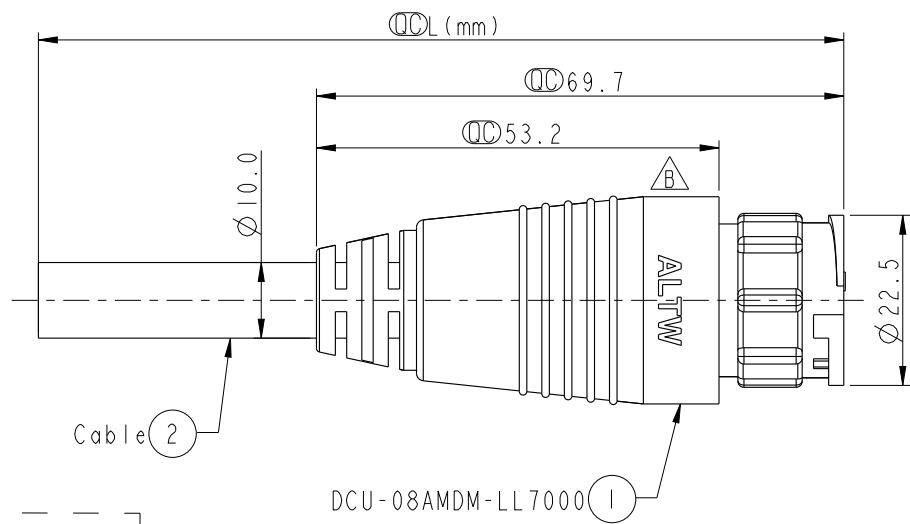
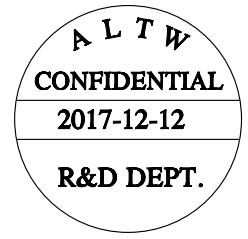


REV.	ECN NO.	DATE	SIGN	DESCRIPTION
B	LEN17C0338~341	2017-12-12	Jalam	Modify The Tolerance & Change Logo

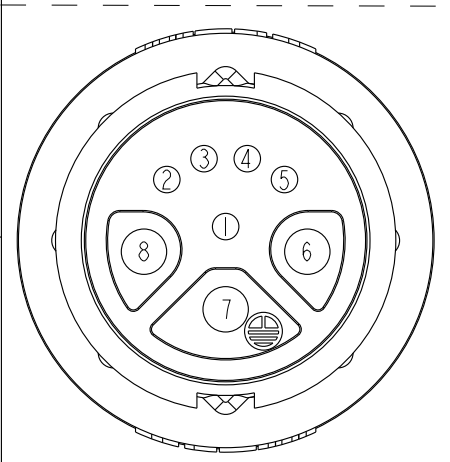


DCU-08AMDM-LL7BXX

XX : 01~99Meter
01 : 01Meter
02 : 02Meters

99 : 99Meters

Cable Length(L) : 01~99Meters



Conn. Pin Assignments Front View

8	Brown	16AWG	棕	
7	Green/Yellow	16AWG	綠/黃	
6	Blue	16AWG	藍	
5	Red	24AWG	紅	Twist
4	Green	24AWG	綠	
3	White	24AWG	白	Twist
2	Blue	24AWG	藍	
1	Drain		地線	
Conn.		Wire Color		Pin Out

Note:
 * \varnothing Important Dimension To Check
 * Waterproof Rate: IP67
 * Connector: Nylon+GF, Black
 * Pin: Copper Alloy, Gold Plated
 * Cable: UL2586 (24#*1P+A)*2C+16#*3C+Drain+Al/Mylar, PVC Jacket, UV Resistant, OD= \varnothing 10.0mm, Black
 * Cable Length Tolerance: 01M \pm 40mm
 02M~05M: \pm 60mm
 06M~10M: \pm 100mm
 11M~30M: \pm 200mm
 31M~99M: \pm 500mm

UNIT:mm TOLERANCE $\pm 0.5mm$	TITLE Large Size, Lock Type MConn. 3FPin(20A)+5MPin(2A)		Amphenol LTW 安費諾亮泰企業股份有限公司		ITEM NO	DRAWN BY Jalam	DATE 2017-12-12
	SCALE 1:1	SIZE A4			SHEET 1	OF 1	DWG NO DCU-08AMDM-LL7BXX
REV. B	WC-REV. A.5	\varnothing : Inspection item		CUSTOMER ALTW	APPROVED BY Jerry	DATE 2017-12-12	

THIS DOCUMENT IS SUBJECT TO CHANGE WITHOUT NOTICE. IT IS CONFIDENTIAL AND A PROPERTY OF AMPHENOL LTW. DISCLOSURE TO THIRD PARTY HAS TO BE AUTHORIZED BY AMPHENOL LTW.