



**ANATECH ELECTRONICS INC**  
RF & Microwave Filters & Products

# 400 MHz LC Low Pass Filter

**Part Number: AE400L9179**



## Electrical Specifications

**Frequency Range:** DC-400 MHz

**Insertion Loss:** 0.3 dB Max

**VSWR:** 1.30:1 Max

**Rejection:** >50 dB @ 750 MHz

**Power:** 700 W CW

**Peak Power:** 1 kWpp (50 $\mu$ /500 $\mu$ s)

## Mechanical

**Connector Type:** TNC (F) / N-Type (F)

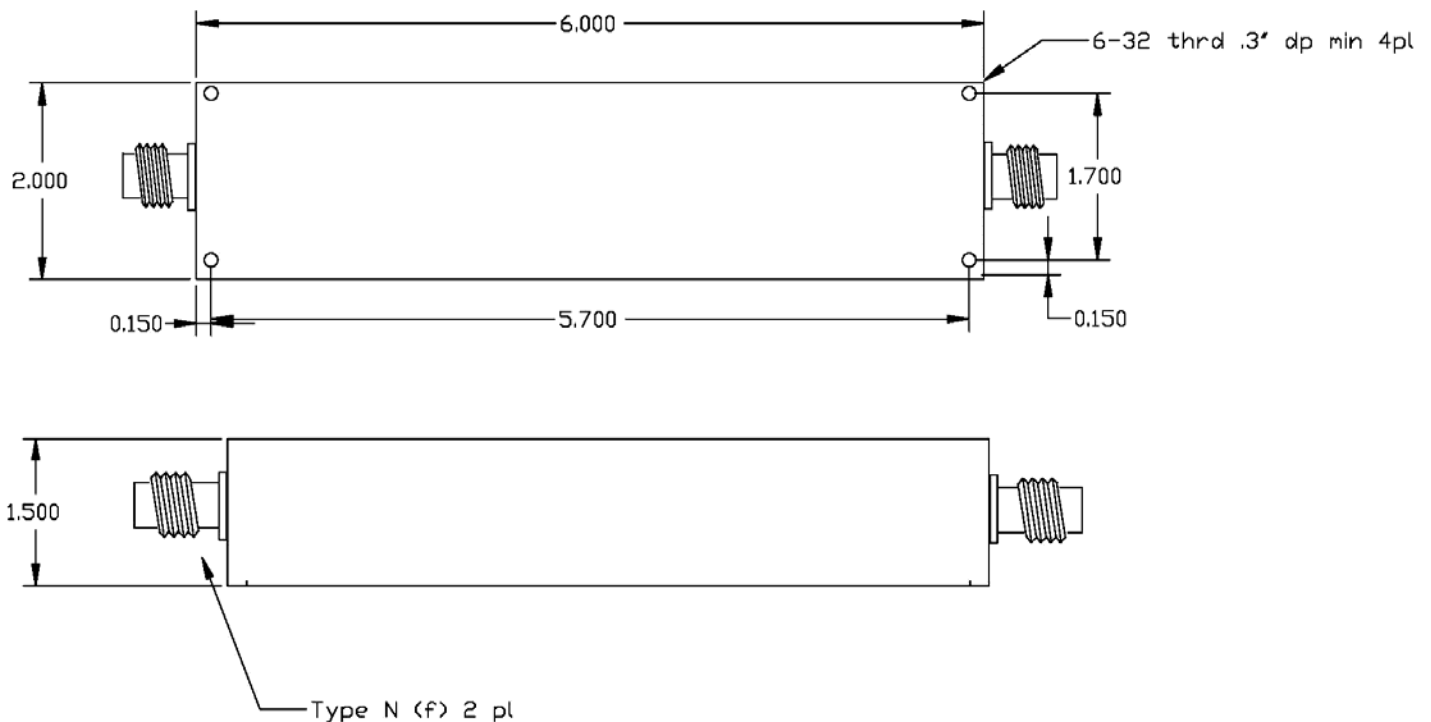
**Dimensions:** 6.00 x 2.00 x 1.50 Inches

## Environmental

**Operating Temperature:** -40 to +85° C

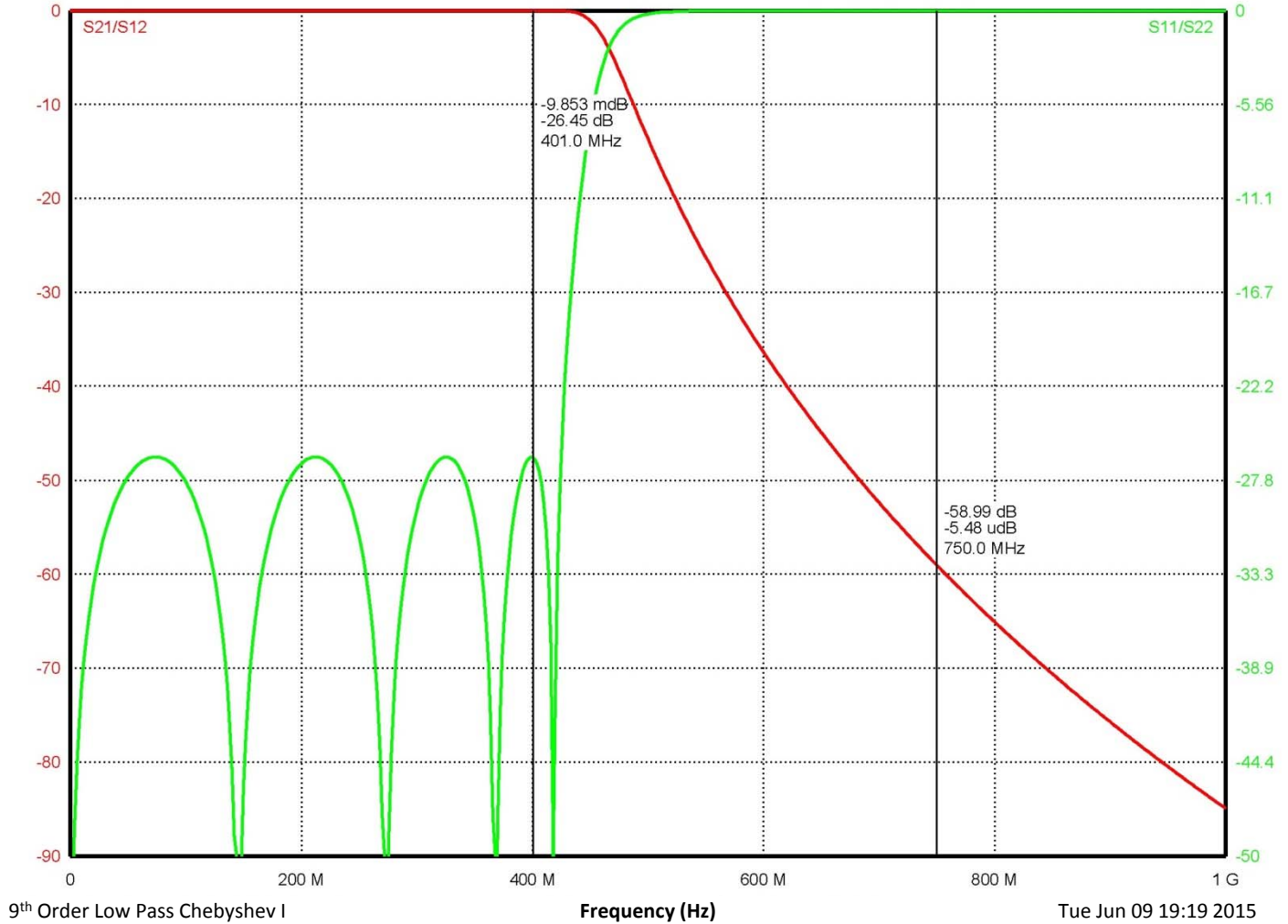
**Storage Temperature:** -50 to +95° C

## Outline Drawing:





### Response Plot:



**Note:** This is a simulation plot. Actual results may differ once the product is implemented.