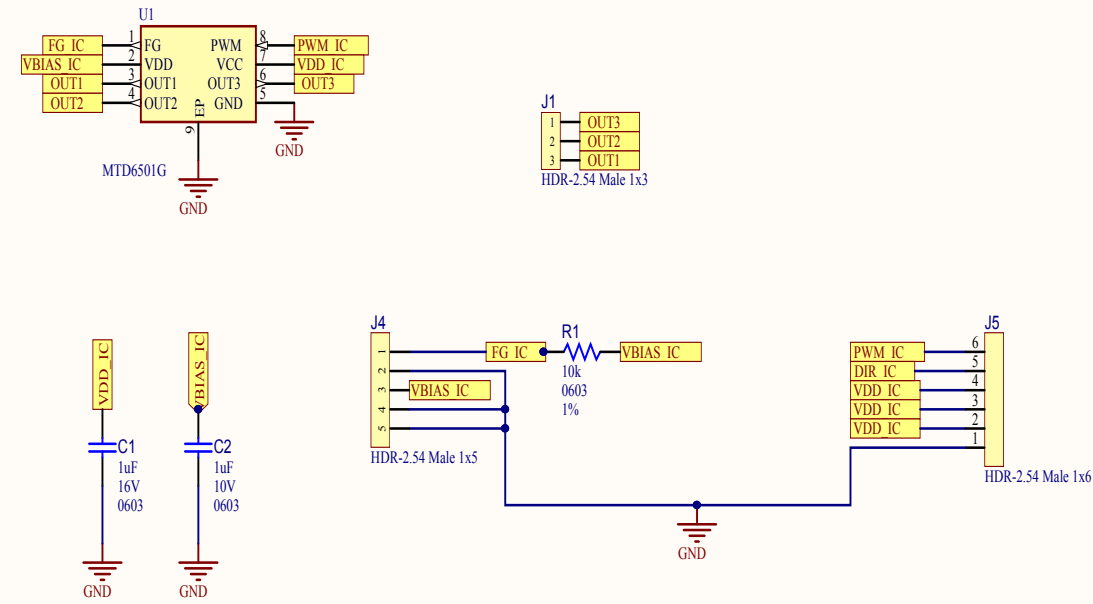


REV	ECO#	DESCRIPTION	DATE



Drawn By: Gilles Di Pietrantonio					
Engineer: Gilles Di Pietrantonio					
PartNumber: ADM00534	Project Title <b>MTD6501G Daughter Board</b>				
Sheet Title <b>MTD6501G</b>					
Size B	<table border="1"> <tr> <td>Sch #: 03-10178</td> <td>Date: 8/28/2015 12:56:21 PM</td> </tr> <tr> <td>Revision: 1</td> <td>Sheet 1 of 1</td> </tr> </table>	Sch #: 03-10178	Date: 8/28/2015 12:56:21 PM	Revision: 1	Sheet 1 of 1
Sch #: 03-10178	Date: 8/28/2015 12:56:21 PM				
Revision: 1	Sheet 1 of 1				
File: 03-10178.SCHDOC					

*Designed with*  
**Altium**  
Altium.com