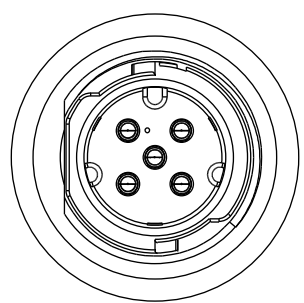
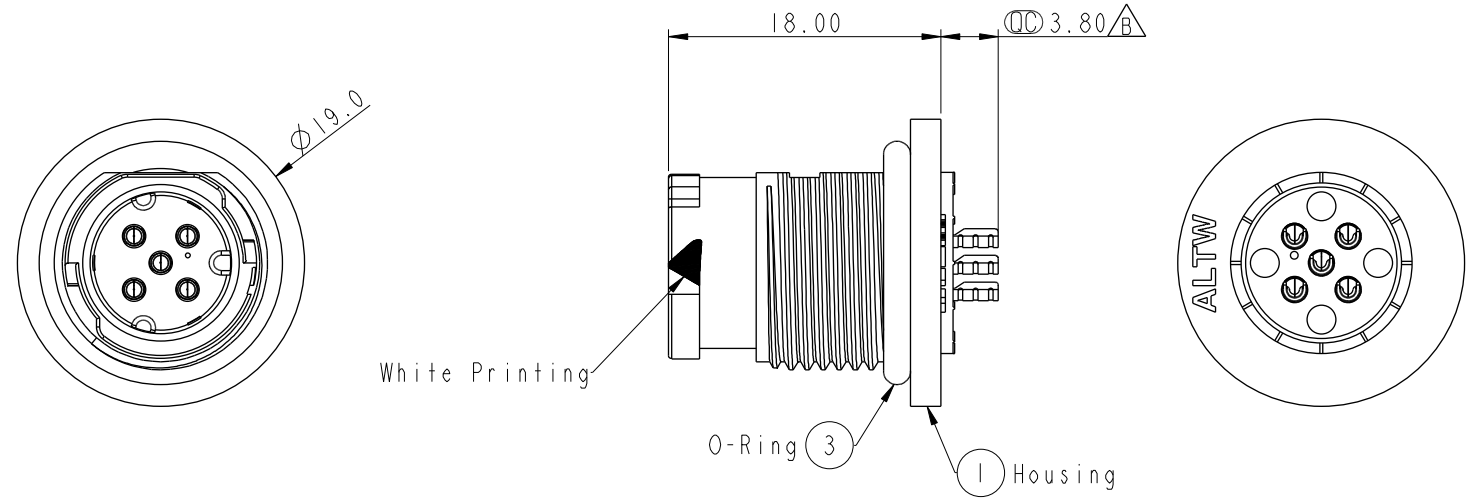
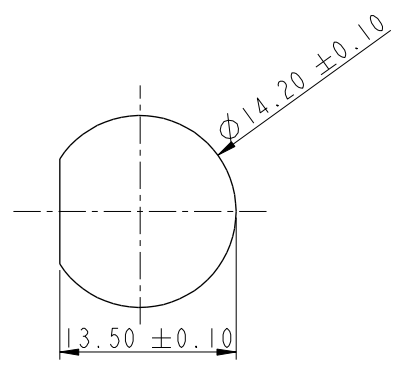


ALTW
CONFIDENTIAL
2019-03-15
R&D DEPT.

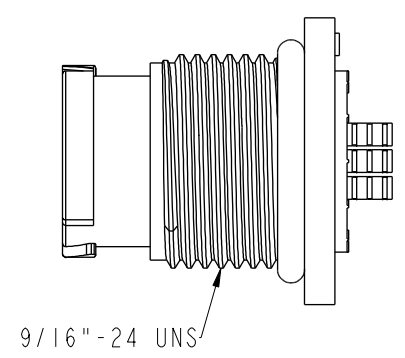
REV.	ECN NO.	DATE	SIGN	DESCRIPTION
D	LEN1870100	2018/07/23	Ouyang	Update specifications
E	E180448	2018/11/02	Ouyang	Change Key Point And Nut schematic
F	CI90403	2019/03/15	Vicky	Change Note



Pin Assignments
Front View



Recommended Panel Cut-out



- Note:**
- * CC Important Dimension To Check.
 - * Waterproof Rate: IP68, Unmated.
In 1 meter water within 24 hours
 - * Housing: Thermoplastic, Black.
 - * Pin: Copper Alloy, Gold Plated.
 - * Nut: Thermoplastic, Black.
 - * Gasket: Rubber, Gray.
 - * Use Without Waterproof Cap
Panel Thickness Max: 4.0mm
 - * Use With Waterproof Cap
Panel Thickness Max: 3.0mm
 - * Nut are packed separately in PE bags.

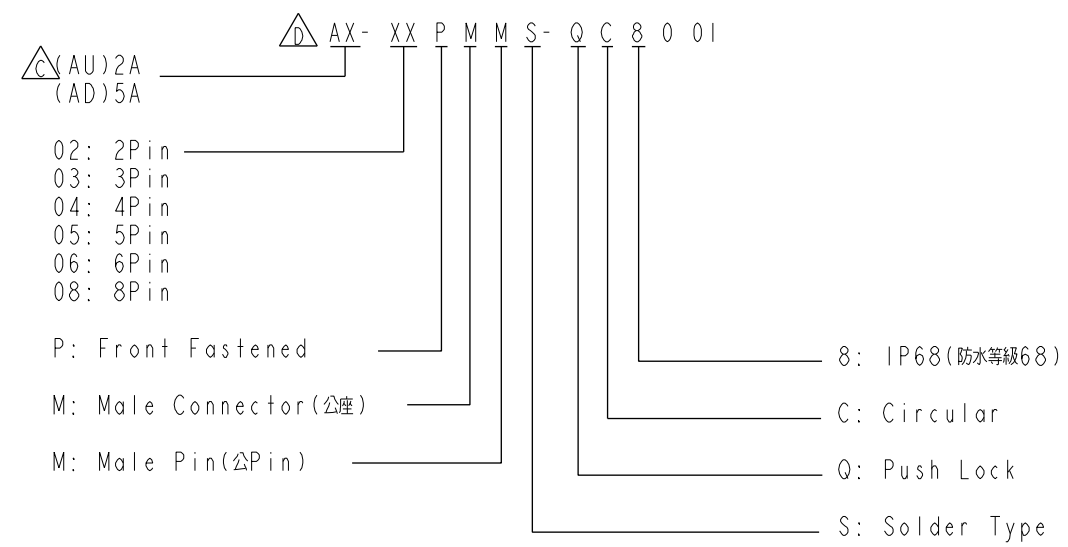
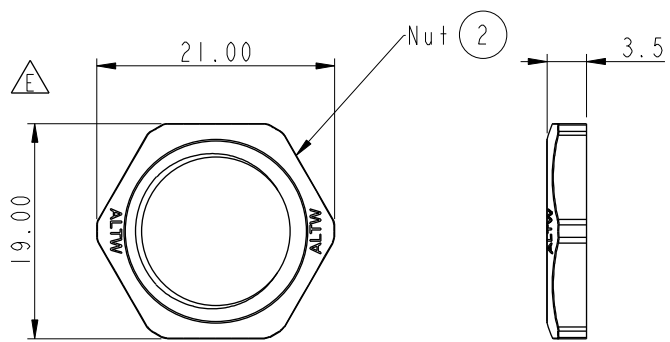
UNIT:mm		TITLE	X Lok A-Size Receptacle Front Fastened M Conn M Pin	
TOLERANCE	$\pm 0.5\text{mm}$	SCALE	1:1	SIZE A4
		REV.	F	WC-REV. .0
				CC : Inspection item
		SHEET	1	OF 2

Amphenol LTW
安費諾亮泰企業股份有限公司

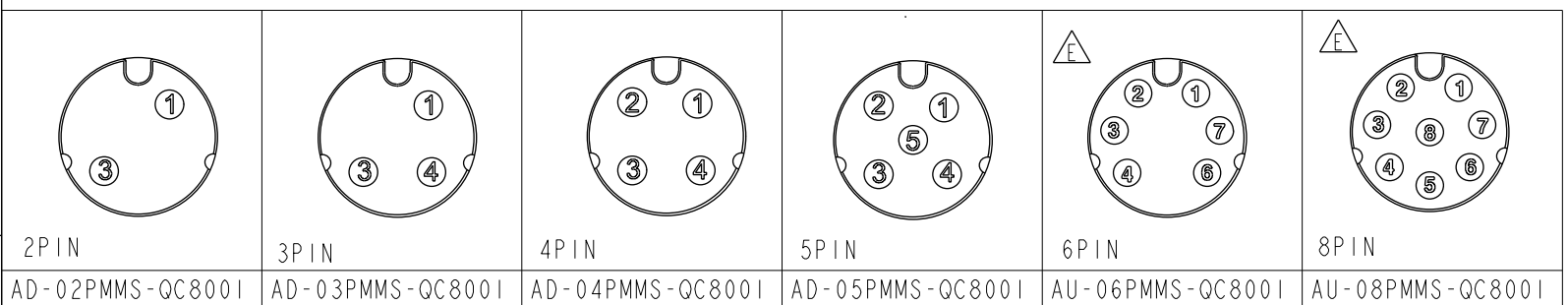
ITEM NO	DRAWN BY	DATE
	Vicky	2019-03-15
DWG NO	CHECKED BY	DATE
AX-XXPMMS-0C8001	Rita	2019-03-15
CUSTOMER	APPROVED BY	DATE
ALTW	Max	2019-03-15

THIS DOCUMENT IS SUBJECT TO CHANGE WITHOUT NOTICE. IT IS CONFIDENTIAL AND A PROPERTY OF AMPHENOL LTW. DISCLOSURE TO THIRD PARTY HAS TO BE AUTHORIZED BY AMPHENOL LTW.

THIS DOCUMENT IS SUBJECT TO CHANGE WITHOUT NOTICE. IT IS CONFIDENTIAL AND A PROPERTY OF Amphenol LTW. DISCLOSURE TO THIRD PARTY HAS TO BE AUTHORIZED BY Amphenol LTW.



△



UNIT:mm		TITLE X Lok A-Size Receptacle Front Fastened M Conn M Pin		<h1 style="text-align: center;">Amphenol LTW</h1> <h2 style="text-align: center;">安費諾亮泰企業股份有限公司</h2>		ITEM NO	DRAWN BY	DATE
TOLERANCE	±0.5mm	SCALE 1:1	SIZE A4			SHEET 2 OF 2	DWG NO AX-XXPMMS-QC8001	CHECKED BY Rita
		REV. F	WC-REV. .0	QC: Inspection item	CUSTOMER ALTW	APPROVED BY Max	DATE 2019-03-15	