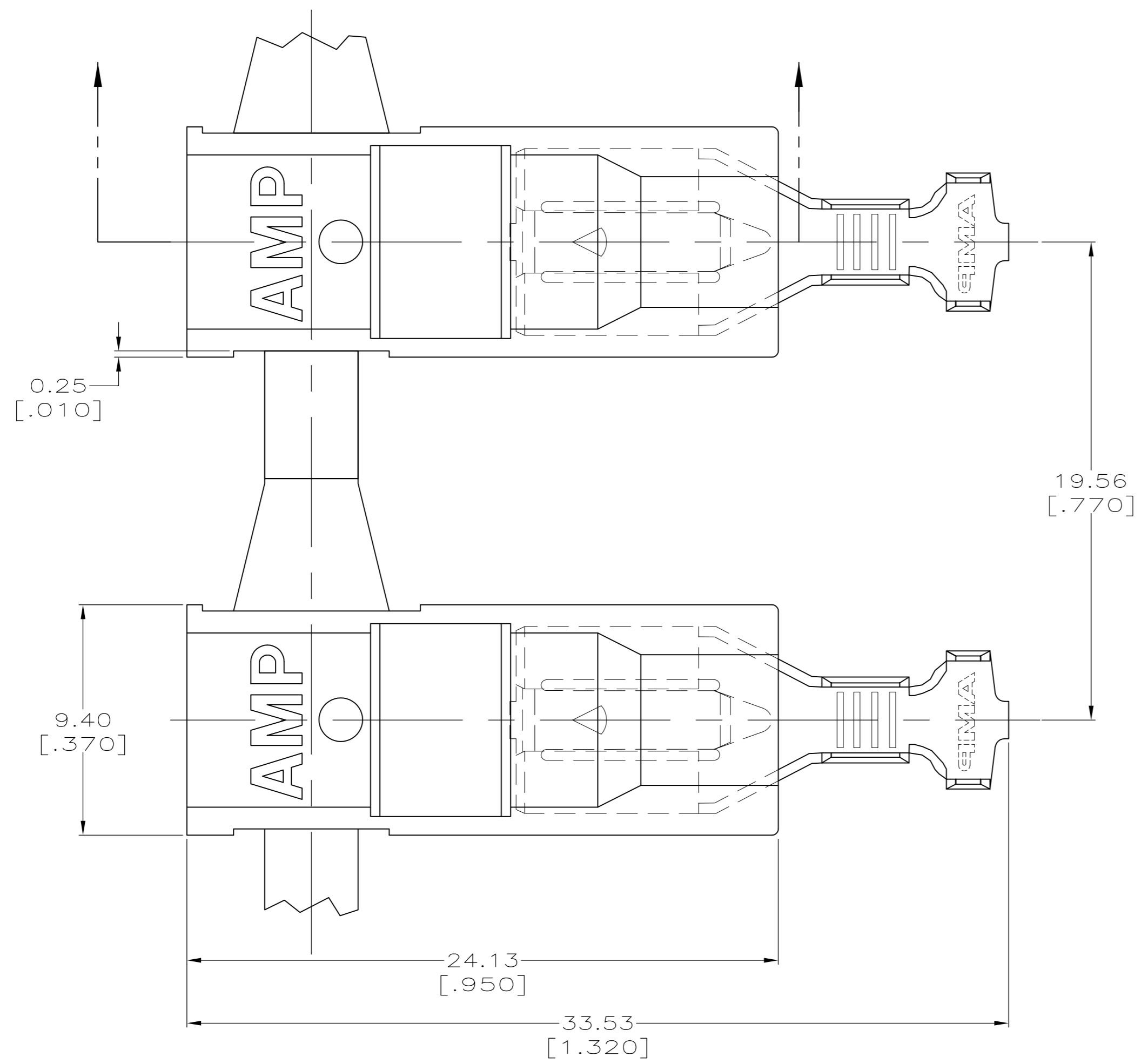
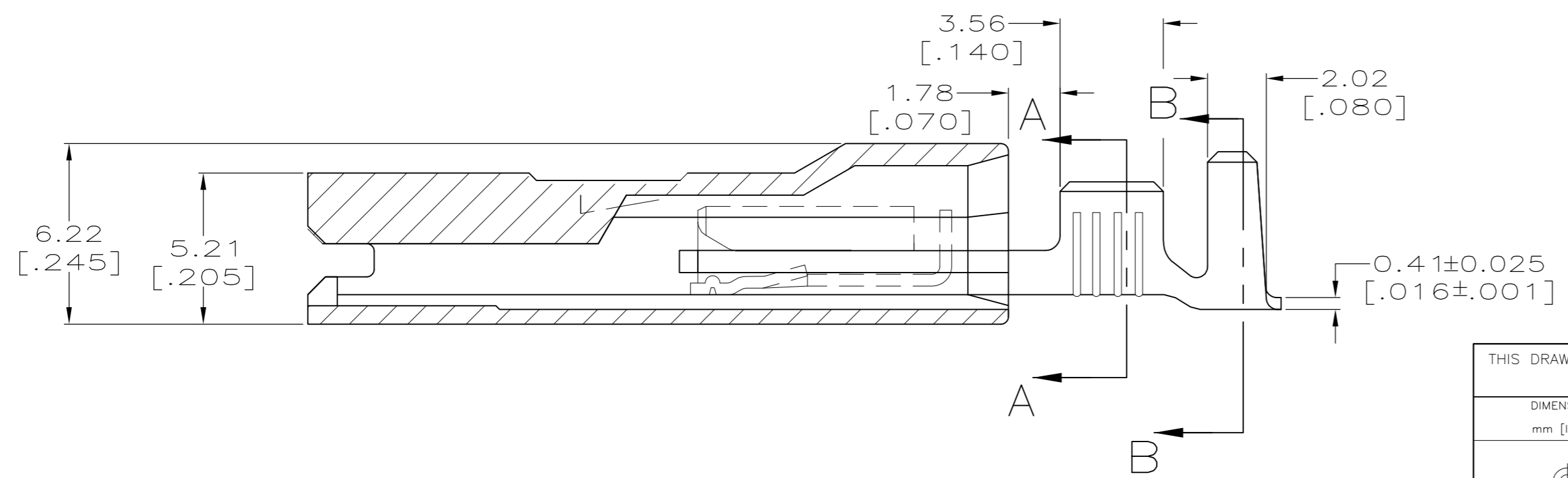
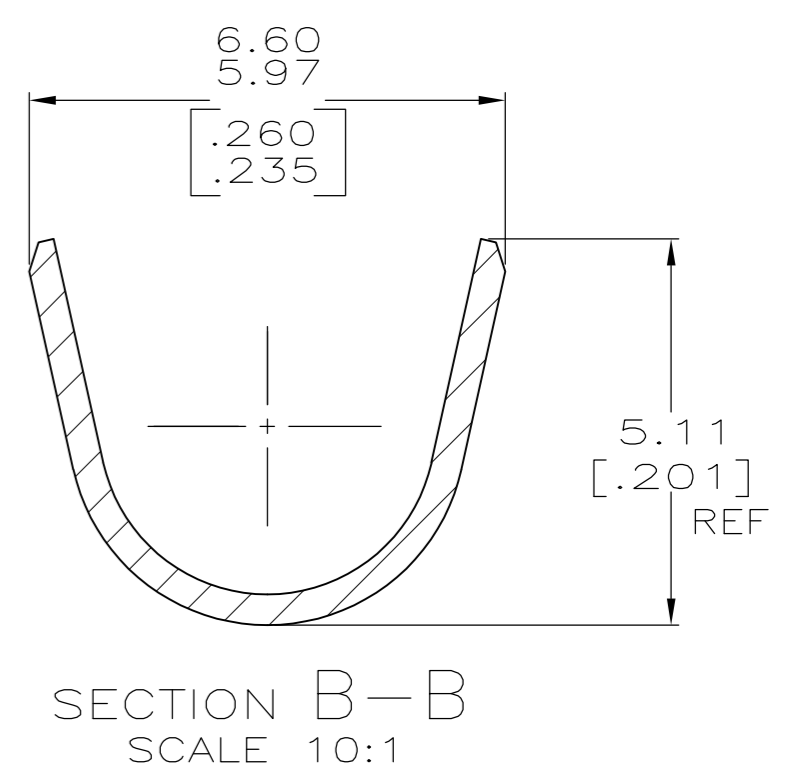
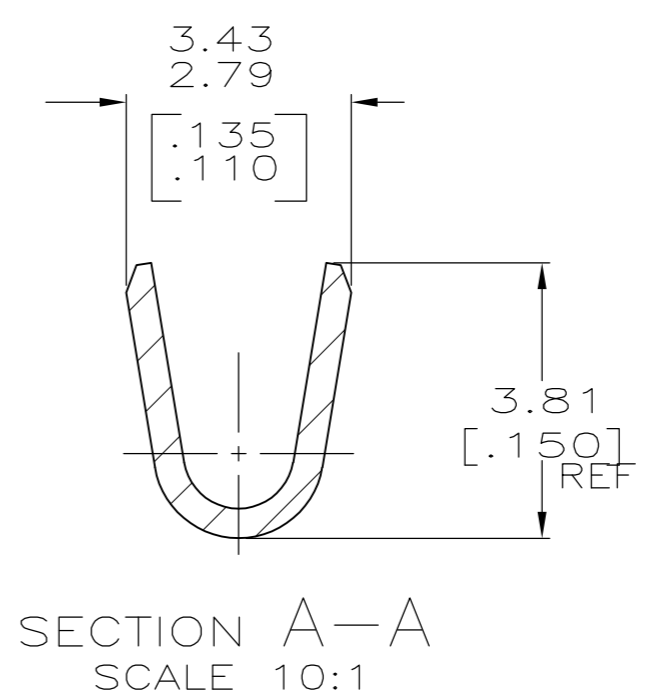


THIS DRAWING IS UNPUBLISHED. RELEASED FOR PUBLICATION  
 © COPYRIGHT - By - ALL RIGHTS RESERVED.

LOC	DIST	REVISIONS			
P	LTR	DESCRIPTION	DATE	DWN	APVD
AF	50	H	REVISED PER ECR-12-013219	08JAN13	KH KR



- 1 MATING TAB THK TO BE 0.81±0.025 [.032±.001]
- 2 TIN PLATE 0.001016 [.000040] MIN THK.
- 3 WIRE SIZE IS [#18-#14] AWG.
- 4 INSULATION RANGE IS 2.79-4.57 [.110-.180] DIA.  
 2.79-3.56 [.110-.140] DIA - CRIMP WIDTH 4.57 [.180], F TYPE  
 3.56-4.57 [.140-.180] DIA - CRIMP WIDTH 4.57 [.180], O TYPE
- 5 PRELIMINARY - NOT FOR PRODUCTION



COLOR	FINISH	PART NO.
RED	2 TIN	5 521213-4
BLUE	2 TIN	5 521213-3
NATURAL	2 TIN	521213-2
NATURAL	-	521213-1

THIS DRAWING IS A CONTROLLED DOCUMENT.

DWN	JR RUTH	1APR99
CHK	MS FEHER	1APR99
APVD	J HUMMEL	1APR99
PRODUCT SPEC	-	-
APPLICATION SPEC	-	-
WEIGHT	-	-

**STE** TE Connectivity

ASSEMBLY, RECEPTACLE, ULTRA-POD, 6.35 [.250] SERIES

SIZE	CAGE CODE	DRAWING NO	RESTRICTED TO
A2	00779	C=521213	-

CUSTOMER DRAWING SCALE 5:1 SHEET 1 OF 1 REV H