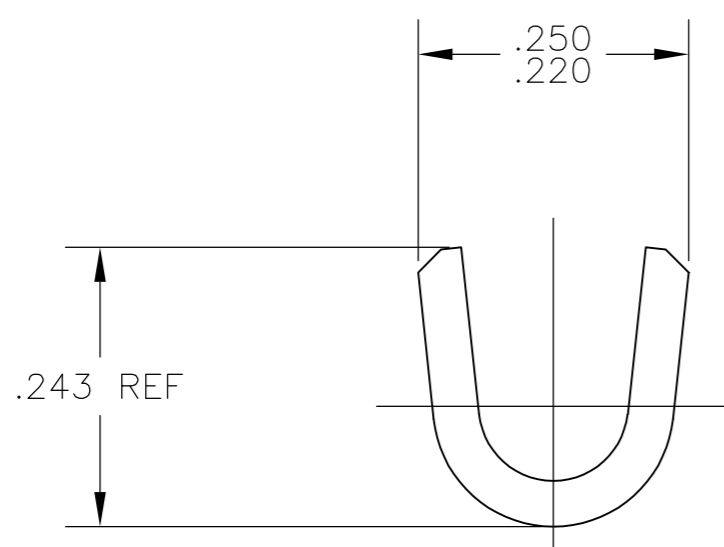
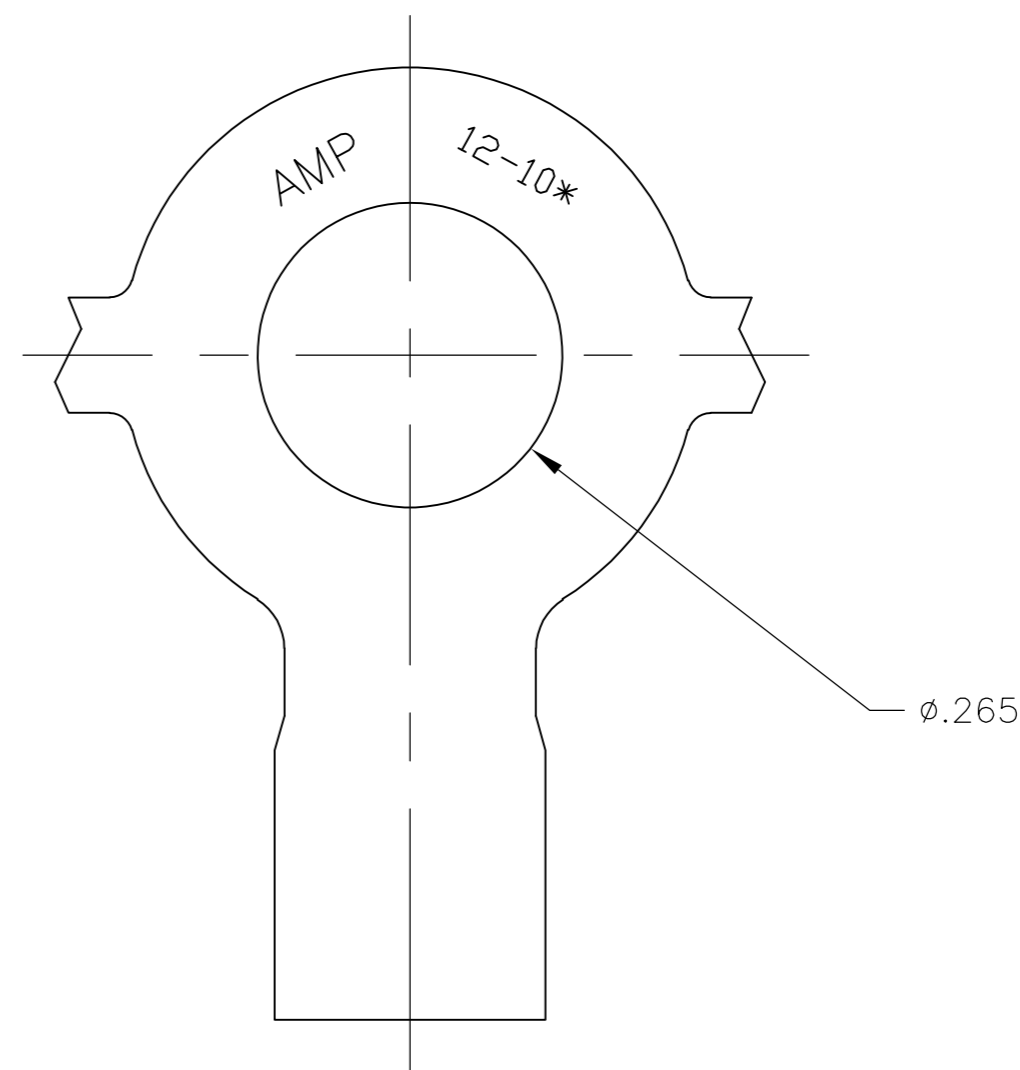
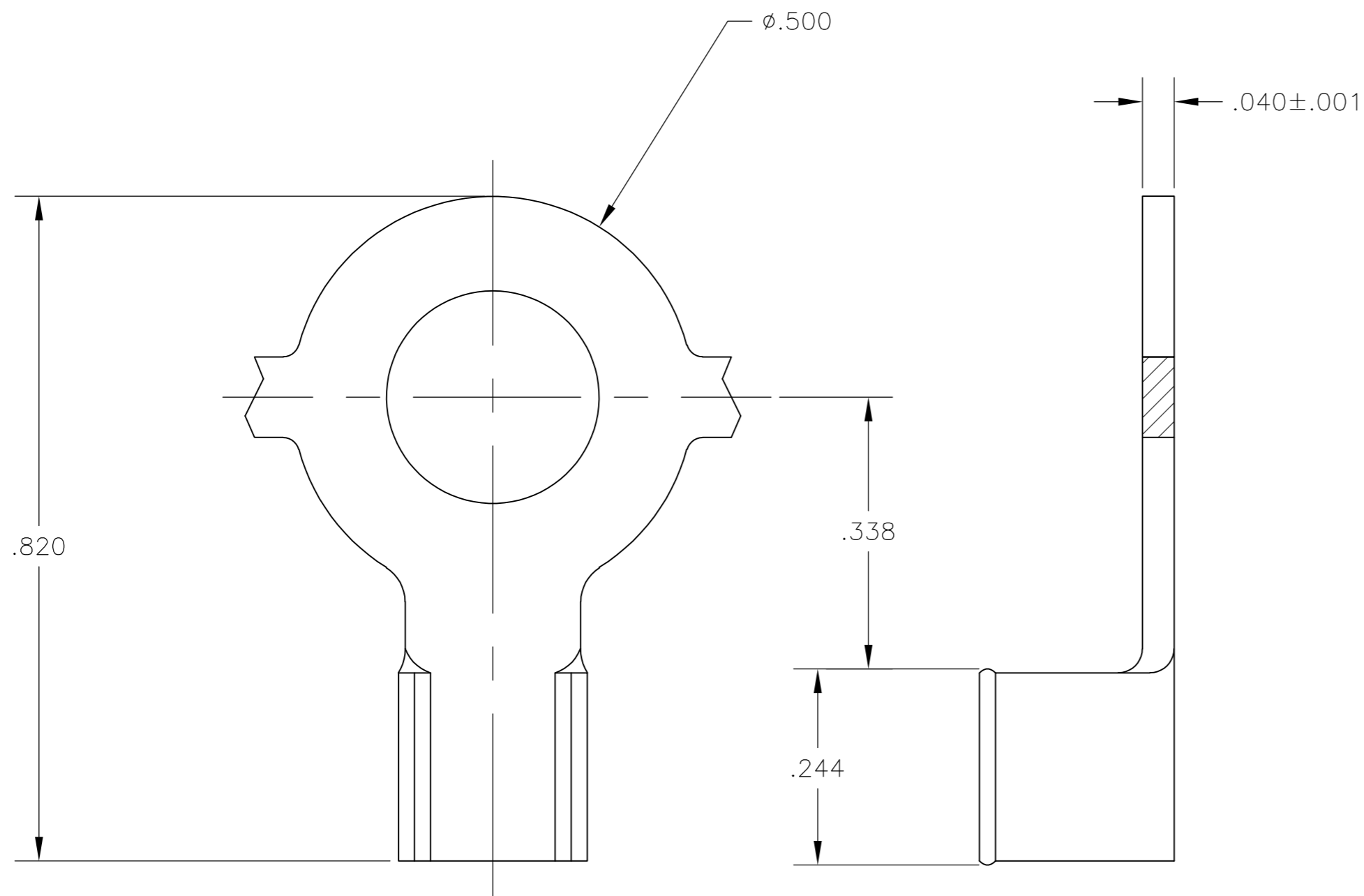


THIS DRAWING IS UNPUBLISHED. RELEASED FOR PUBLICATION  
 © COPYRIGHT BY TYCO ELECTRONICS CORPORATION. ALL RIGHTS RESERVED.

LOC	DIST	REVISIONS			
P	LTR	DESCRIPTION	DATE	DWN	APVD
AF	15	K	REVISED PER ECR-10-006099	07JUL10	HMR PD

1. CONTINUOUS STRIP ON REELS.
2. WIRE RANGE: #12-#10 AWG.



41341  
 PART NUMBER

THIS DRAWING IS A CONTROLLED DOCUMENT.		DWN 05MAY2004 MICHAEL S. FEHER	Tyco Electronics Corporation Harrisburg, Pa 17105-3608	
DIMENSIONS: INCHES		CHK 05MAY2004 DONALD F. DECKER	NAME DONALD F. DECKER	
TOLERANCES UNLESS OTHERWISE SPECIFIED:		APVD 05MAY2004 DONALD F. DECKER	PRODUCT SPEC -	
0 PLC ± -		APPLICATION SPEC -		
1 PLC ± -		SIZE A2		
2 PLC ± -		CAGE CODE 00779		
3 PLC ± .010		DRAWING NO C-41341		
4 PLC ± -		RESTRICTED TO -		
ANGLES ± -		SCALE 6:1		
MATERIAL H00 COPPER	FINISH TIN	WEIGHT -	SHEET 1	OF 1
CUSTOMER DRAWING		REV K		