



# 3800 Series

## High Durability Robust Interface Connectors

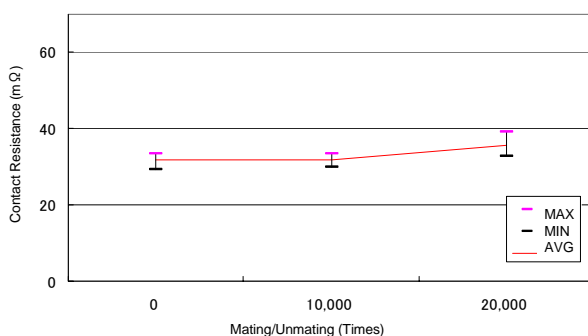


### ◆ Features

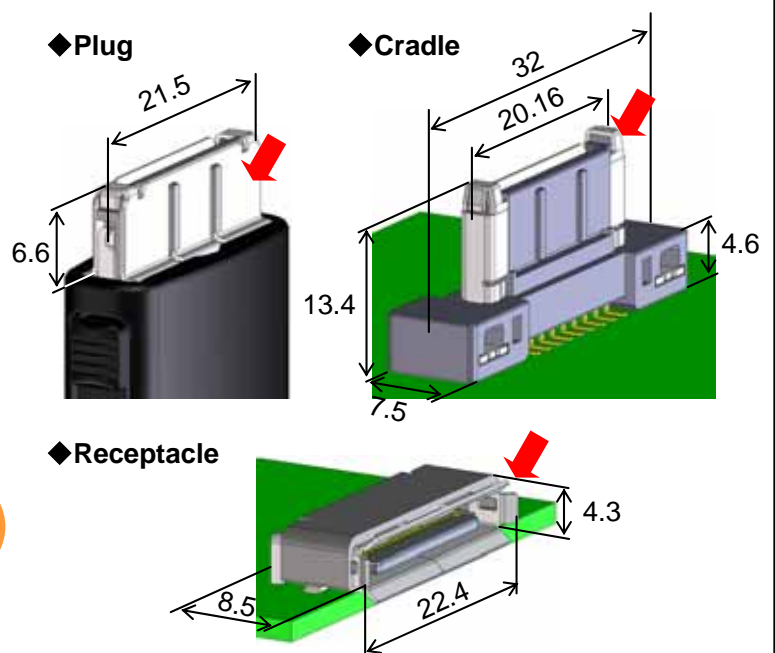
1. 20,000 times mechanical operation with unique contact structure
2. Robust structure with 0.35 mm thick metal shell covering the housing
3. Small size and light weight
4. Clear tactile click
5. Mating sequence structure (Sequence range: 0.5 mm)
6. Simplified cable plug assembly with one-piece hood
7. RoHS compliant

### ◆ High Durability & Robust

#### Contact Resistance to 20,000 Times Mating/Unmating



#### 0.35 mm Metal Shell Covering the Housing



**stable contact resistance  
even after 20,000 times  
mating/unmating**

Specifications herein are subject to change without notice. Contact Hirose for latest specifications, drawings or availabilities.