

Relay Module - PLC-RSC-120UC/21/EX - 2909525


Please be informed that the data shown in this PDF Document is generated from our Online Catalog. Please find the complete data in the user's documentation. Our General Terms of Use for Downloads are valid (<http://phoenixcontact.com/download>)



PLC-INTERFACE, consisting of DIN-rail-mountable basic terminal block in 6.2 mm with screw connection and plug-in miniature relay with 6 A power contact, 1 changeover contact, 120 V AC/110 V DC input voltage. Approved according to ATEX/IECEX (Zone 2) and Ex Zone Class I, Div. 2.



Key Commercial Data

| | |
|------------------------|---|
| Packing unit | 10 pc |
| Minimum order quantity | 10 pc |
| GTIN |  4 055626 363622 |
| GTIN | 4055626363622 |

Technical data

Note

| | |
|-------------------------|---|
| Utilization restriction | EMC: class A product, see manufacturer's declaration in the download area |
|-------------------------|---|

Dimensions

| | |
|--------|--------|
| Width | 6.2 mm |
| Height | 80 mm |
| Depth | 94 mm |

Ambient conditions

| | |
|---|---------------------------------|
| Ambient temperature (operation) | -20 °C ... 60 °C (UL) |
| | -40 °C ... 60 °C (ATEX / IECEx) |
| Ambient temperature (storage/transport) | -40 °C ... 85 °C |
| Degree of protection | RT III (Relay) |
| | IP20 (Relay base) |

Coil side

| | |
|-----------------------------|----------|
| Nominal input voltage U_N | 120 V AC |
| | 110 V DC |

Relay Module - PLC-RSC-120UC/21/EX - 2909525

Technical data

Coil side

| | |
|---|-----------------------------------|
| Typical input current at U_N | 3.5 mA ($U_N = 120$ V AC) |
| | 3 mA ($U_N = 110$ V DC) |
| Typical response time | 6 ms |
| Typical release time | 15 ms |
| Protective circuit | Bridge rectifier Bridge rectifier |
| Operating voltage display | Yellow LED |
| Power dissipation for nominal condition | 0.42 W |

Contact side

| | |
|---------------------------------------|---|
| Contact type | 1 PDT |
| Type of switch contact | Single contact |
| Contact material | AgSnO |
| Maximum switching voltage | 250 V AC/DC (The separating plate PLC-ATP should be installed for voltages larger than 250 V (L1, L2, L3) between identical terminal blocks in adjacent modules. Potential bridging is then carried out with FBST 8-PLC... or ...FBST 500...) |
| Minimum switching voltage | 5 V (at 100 mA) |
| Min. switching current | 10 mA (at 12 V) |
| Maximum inrush current | 10 A (4 s) |
| Limiting continuous current | 6 A |
| Interrupting rating (ohmic load) max. | 140 W (at 24 V DC) |
| | 20 W (at 48 V DC) |
| | 18 W (at 60 V DC) |
| | 23 W (at 110 V DC) |
| | 40 W (at 220 V DC) |
| | 1500 VA (for 250 V AC) |
| Switching capacity | 2 A (at 24 V, DC13) |
| | 0.2 A (at 110 V, DC13) |
| | 0.1 A (at 220 V, DC13) |
| | 3 A (at 24 V, AC15) |
| | 3 A (at 120 V, AC15) |
| | 3 A (at 230 V, AC15) |

General

| | |
|--|---------------------------|
| Test voltage relay winding/relay contact | 4 kV AC (50 Hz, 1 min.) |
| Operating mode | 100% operating factor |
| Mechanical service life | 2×10^7 cycles |
| Mounting position | any |
| Assembly instructions | In rows with zero spacing |

Connection data

| | |
|-------------------|------------------|
| Connection name | Coil side |
| Connection method | Screw connection |

Relay Module - PLC-RSC-120UC/21/EX - 2909525

Technical data

Connection data

| | |
|----------------------------------|---|
| Stripping length | 8 mm |
| Screw thread | M3 |
| Conductor cross section solid | 0.14 mm ² ... 2.5 mm ² |
| Conductor cross section flexible | 0.14 mm ² ... 2.5 mm ² |
| | 0.2 mm ² ... 2.5 mm ² (Single ferrule) |
| | 2x 0.5 mm ² ... 1.5 mm ² (TWIN ferrule) |
| Conductor cross section AWG | 26 ... 14 |

Connection data 2

| | |
|----------------------------------|---|
| Connection name | Contact side |
| Connection method | Screw connection |
| Stripping length | 8 mm |
| Screw thread | M3 |
| Conductor cross section solid | 0.14 mm ² ... 2.5 mm ² |
| Conductor cross section flexible | 0.14 mm ² ... 2.5 mm ² |
| | 0.2 mm ² ... 2.5 mm ² (Single ferrule) |
| | 2x 0.5 mm ² ... 1.5 mm ² (TWIN ferrule) |
| Conductor cross section AWG | 26 ... 14 |

Standards and Regulations

| | |
|-----------------------|---------------------------------------|
| Designation | Standards/regulations |
| Standards/regulations | IEC 60664 |
| | EN 50178 |
| | EN 60079-0, -7, -15 |
| Pollution degree | 3 |
| Overvoltage category | III |
| Conformance | CE-compliant |
| ATEX | # II 3G Ex ec nC IIC T4 Gc |
| IECEX | Ex ec nC IIC T4 Gc |
| UL, USA | Class I, Zone 2, AEx nA nC IIC T6 |
| UL, USA/Canada | Class I, Div. 2, Groups A, B, C, D |
| UL, Canada | Class I, Zone 2, Ex nA nC IIC Gc T6 X |

Conformance/approvals

| | |
|----------------|----------------------------|
| Designation | CE |
| Identification | CE-compliant |
| Designation | ATEX |
| Identification | # II 3G Ex ec nC IIC T4 Gc |
| Certificate | IBExU16ATEXB015 X |
| Designation | IECEX |
| Identification | Ex ec nC IIC T4 Gc |
| Certificate | IECEX IBE 16.0029X |

Relay Module - PLC-RSC-120UC/21/EX - 2909525

Technical data

Conformance/approvals

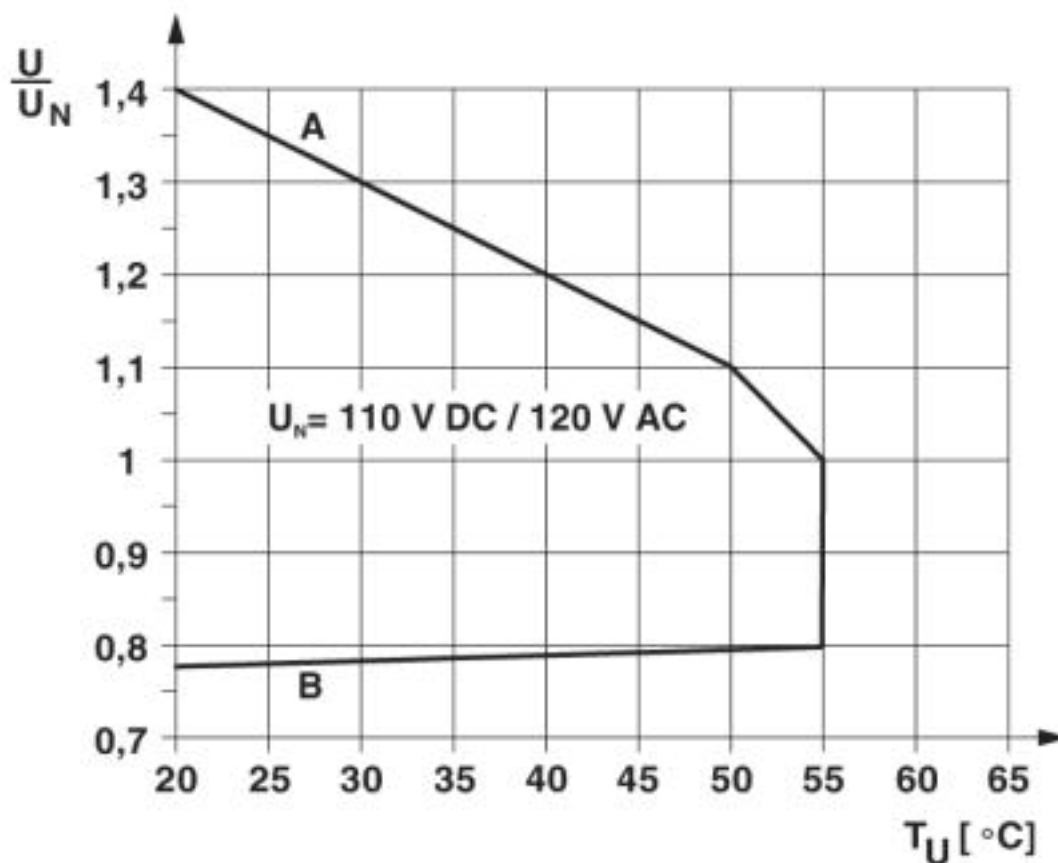
| | |
|----------------|---------------------------------------|
| Designation | UL, USA |
| Identification | Class I, Zone 2, AEx nA nC IIC T6 |
| Designation | UL, USA/Canada |
| Identification | Class I, Div. 2, Groups A, B, C, D |
| Designation | UL, Canada |
| Identification | Class I, Zone 2, Ex nA nC IIC Gc T6 X |

Environmental Product Compliance

| | |
|------------|---|
| REACH SVHC | Lead 7439-92-1 |
| China RoHS | Environmentally Friendly Use Period = 50 |
| | For details about hazardous substances go to tab "Downloads", Category "Manufacturer's declaration" |

Drawings

Diagram

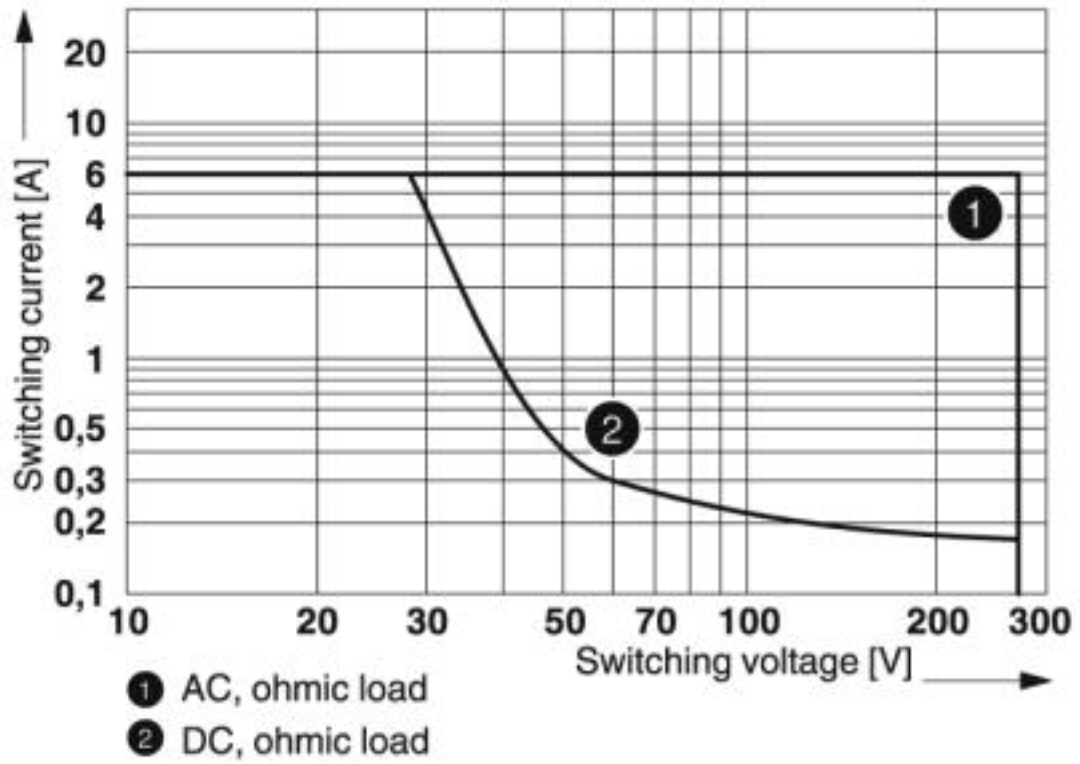


Curve A
Maximum permissible continuous voltage U_{max} with limiting continuous current on the contact side (see relevant technical data)
Curve B

Relay Module - PLC-RSC-120UC/21/EX - 2909525

Minimum permissible operate voltage U_{op} after pre-excitation (see relevant technical data)

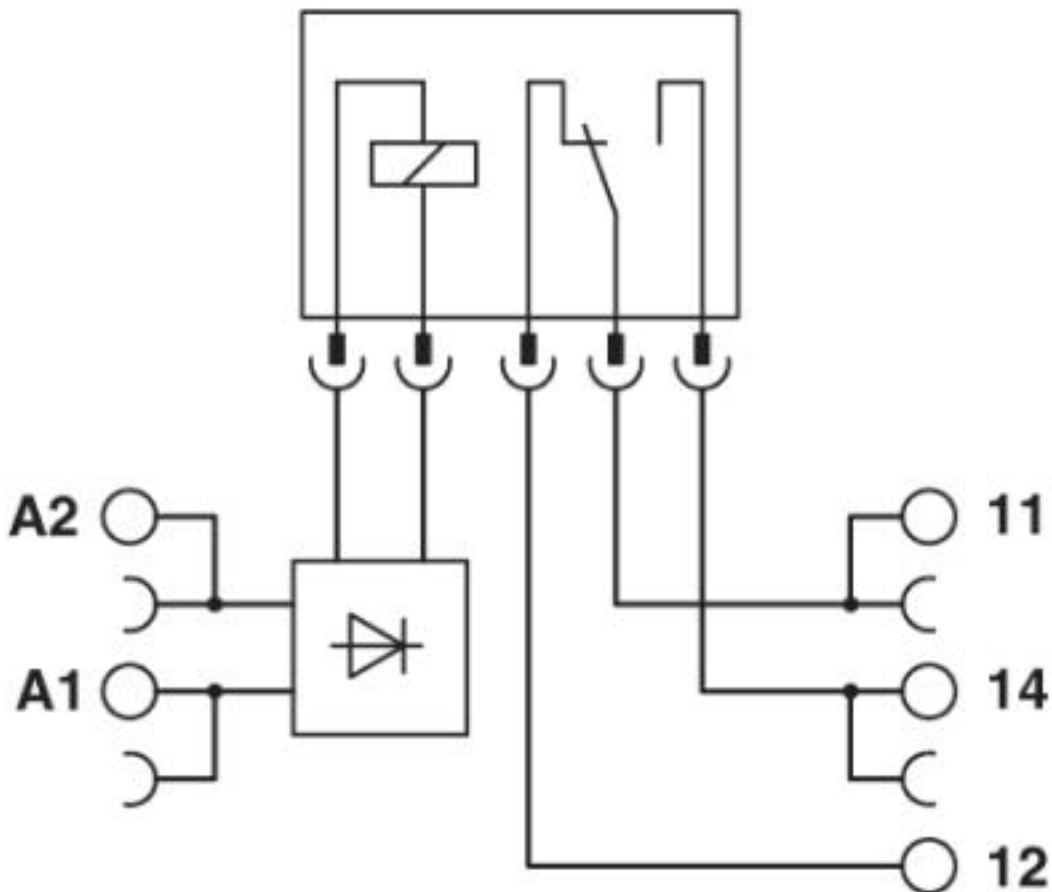
Diagram



Interrupting rating

Relay Module - PLC-RSC-120UC/21/EX - 2909525

Circuit diagram



Approvals

Approvals

Approvals

EAC / DNV GL

Ex Approvals

IECEX / ATEX / UL Listed / cUL Listed / cULus Listed

Approval details

EAC



RU C-
DE.A*30.B.01082

Relay Module - PLC-RSC-120UC/21/EX - 2909525

Approvals

DNV GL



<https://approvalfinder.dnvgl.com/>

TAE0000196-02

Phoenix Contact 2019 © - all rights reserved
<http://www.phoenixcontact.com>

PHOENIX CONTACT GmbH & Co. KG
Flachsmarktstr. 8
32825 Blomberg
Germany
Tel. +49 5235 300
Fax +49 5235 3 41200
<http://www.phoenixcontact.com>