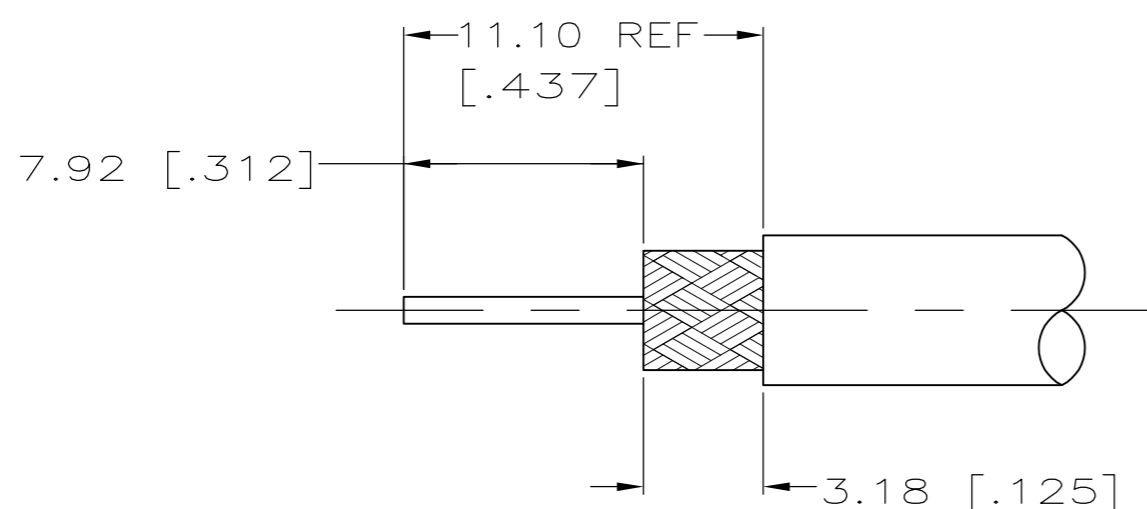
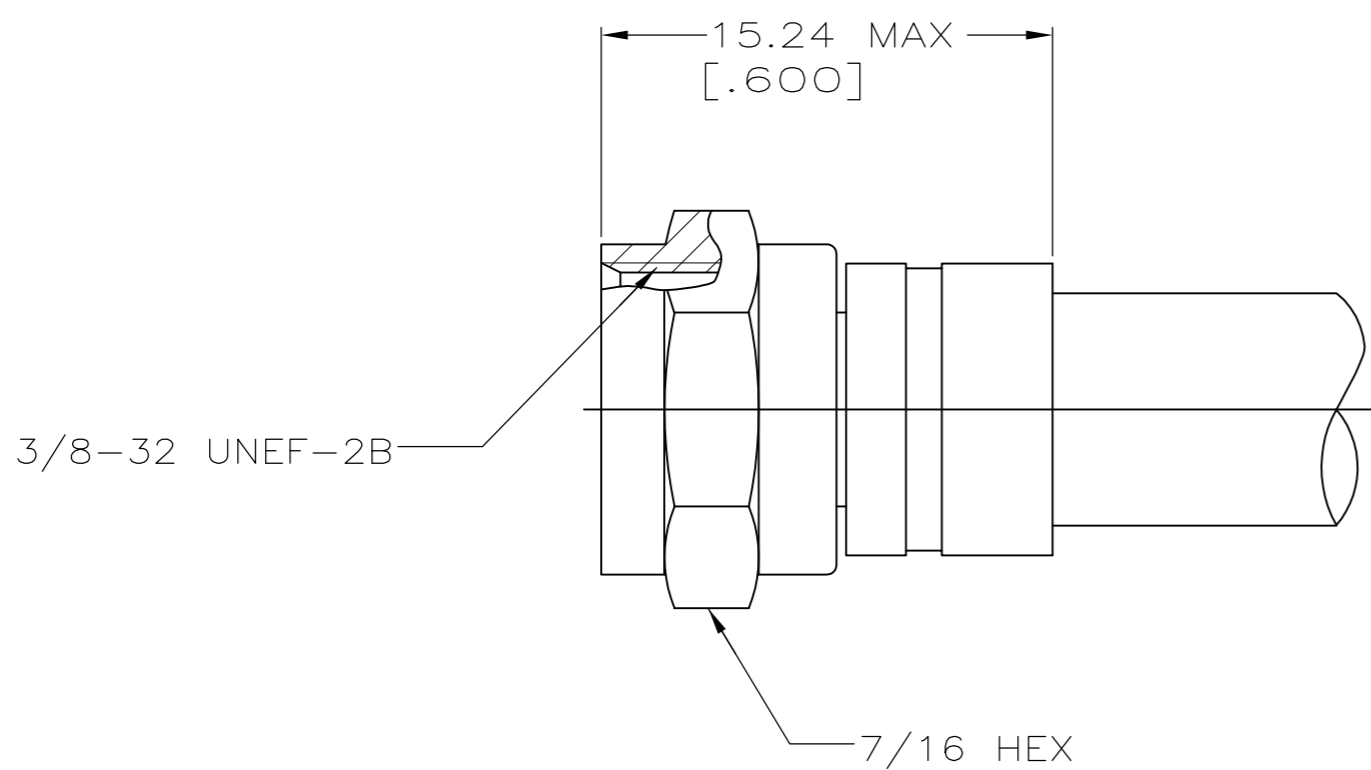


THIS DRAWING IS UNPUBLISHED. RELEASED FOR PUBLICATION  
 © COPYRIGHT BY TYCO ELECTRONICS CORPORATION. ALL RIGHTS RESERVED.

| LOC | DIST | REVISIONS |     |                             |         |     |      |
|-----|------|-----------|-----|-----------------------------|---------|-----|------|
|     |      | P         | LTR | DESCRIPTION                 | DATE    | DWN | APVD |
| AJ  | 16   |           | G   | REVISED PER EC 0514-0456-04 | 13DEC05 | BL  | JL   |
|     |      |           | G1  | REVISED PER ECO-10-000030   | 04JAN10 | KK  | AEG  |



RECOMMENDED STRIP LENGTH

- ① BRASS PER QQ-B-626
- ② NICKEL PL PER QQ-N-290
- ③ FOR USE WITH RG-59/U CABLE
- ④ FOR USE WITH RG-6/U CABLE
- ⑤ PACKAGED 10 PER BAG IN WINDOW BOX
- ⑥ PACKAGED 100 PER DISPLAY BAG

|                        |   |       |                     |
|------------------------|---|-------|---------------------|
| OBSOLETE               | ④ | ⑥     | <del>221539-8</del> |
|                        | ④ | ⑤     | 221539-7            |
| OBSOLETE               | ③ | ⑥     | <del>221539-6</del> |
| OBSOLETE               | ③ | ⑤     | <del>221539-5</del> |
| OBSOLETE               | ④ |       | <del>221539-2</del> |
| SUPERSEDED BY 414766-8 |   | ③     | 221539-1            |
|                        |   | CABLE | PART NUMBER         |

| THIS DRAWING IS A CONTROLLED DOCUMENT. |          | DWN              | 11-29-88 | Tyco Electronics Corporation          |               |
|--|----------|------------------|----------|---------------------------------------|---------------|
| DIMENSIONS: INCHES                     |          | J. SHAFFER       |          | Harrisburg, PA 17105-3608             |               |
| TOLERANCES UNLESS OTHERWISE SPECIFIED: |          | CHK              | 12-2-88  | NAME                                  |               |
| 0 PLC ± -                              |          | P. YEAGER        |          | CONNECTOR, COAXIAL, RF PLUG, SERIES F |               |
| 1 PLC ± -                              |          | APVD             |          | SIZE                                  | CAGE CODE     |
| 2 PLC ± 0.41 [.016]                    |          | PRODUCT SPEC     |          | A2                                    | 00779         |
| 3 PLC ± -                              |          | APPLICATION SPEC |          | DRAWING NO                            | RESTRICTED TO |
| 4 PLC ± -                              |          |                  |          | C=221539                              | -             |
| ANGLES ± -                             |          | WEIGHT           |          | SCALE                                 | SHEET         |
| MATERIAL ①                             | FINISH ② |                  |          | 4:1                                   | 1 of 1        |
| CUSTOMER DRAWING                       |          |                  | REV      | G1                                    |               |