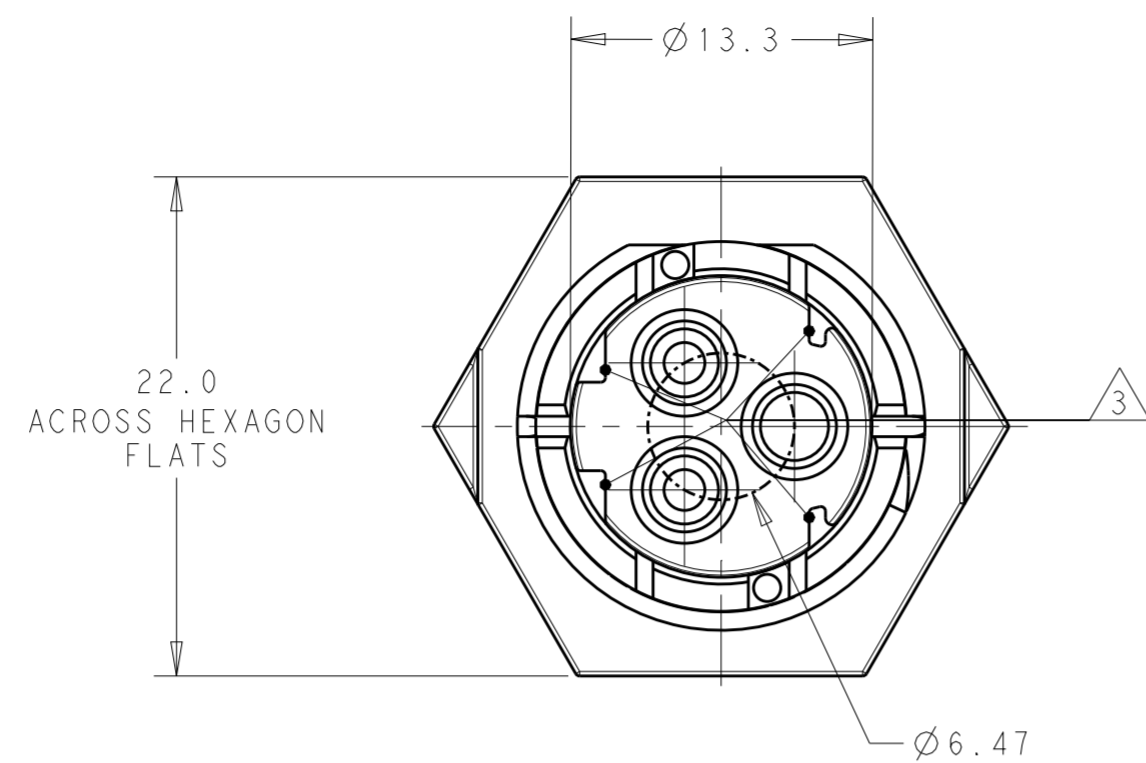


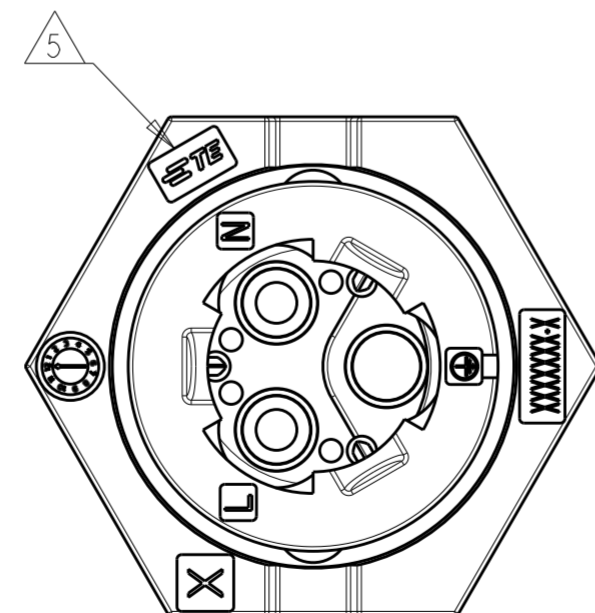
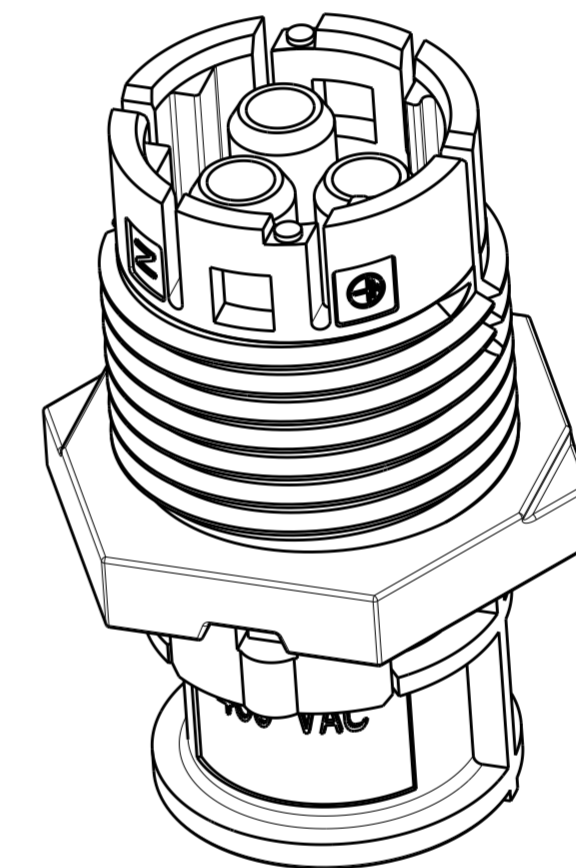
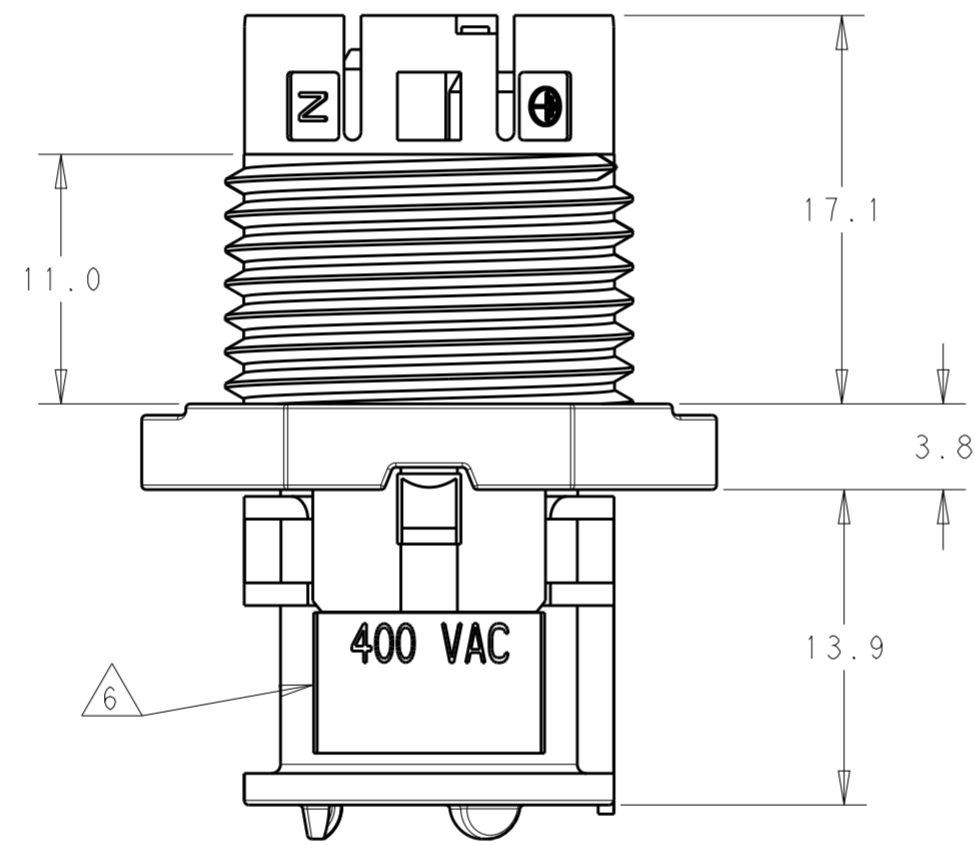
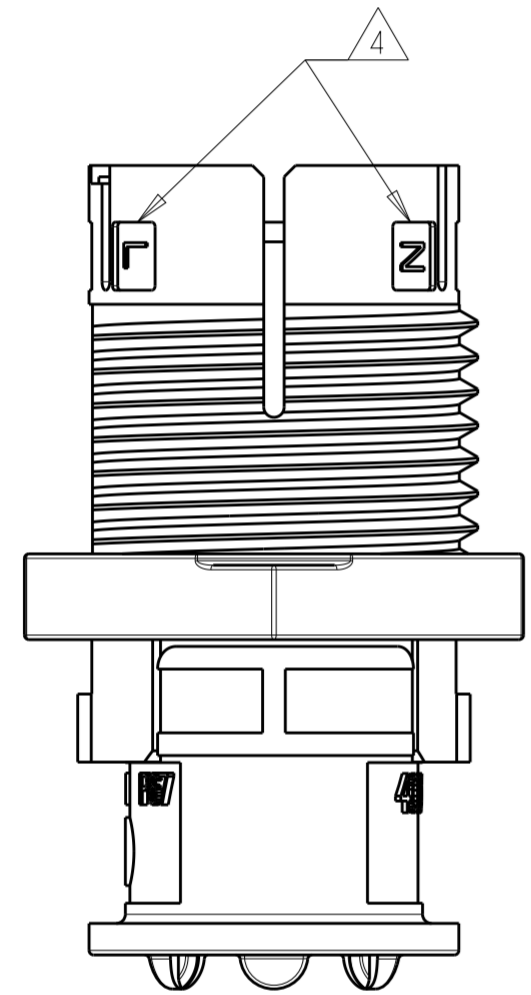
THIS DRAWING IS UNPUBLISHED. RELEASED FOR PUBLICATION 20  
 © COPYRIGHT 20 BY - ALL RIGHTS RESERVED.

REVISIONS					
P	LTR	DESCRIPTION	DATE	DWN	APVD
A		REVISED AS PER ECR-15-005925	22APR2015	RS	JL
A1		ECR-18-006945	02JUL2018	SR	MZ



NOTES:

- MATERIAL: GLASS FILLED PBT, COLOR: BLACK
- MUST COMPLY WITH DIRECTIVE 2002/95/EC (ROHS)
- ALL POLARIZATION KEYS SHOWN FOR REF ONLY.
- CIRCUIT I.D.
- TE LOGO
- VOLTAGE RATING
- THIS PRODUCT HAS NOT COMPLETED VALIDATION TESTING



OBSOLETE	C	PANEL MOUNT SOCKET SEALED NECTOR 3 POSITION	2213468-3
	B	PANEL MOUNT SOCKET SEALED NECTOR 3 POSITION	2213468-2
	A	PANEL MOUNT SOCKET SEALED NECTOR 3 POSITION	2213468-1
	POLARIZATION TYPE	DESCRIPTION	PART NUMBER

DIMENSIONS:		TOLERANCES UNLESS OTHERWISE SPECIFIED:		APVD		NAME	
mm	0 PLC ±	1 PLC ±0.3	2 PLC ±0.20	20MAR2014	DWN J. SHAFFER		
	3 PLC ±	4 PLC ±	ANGLES ±3°	20MAR2014	CHK M. LUKSIC		
	FINISH -			20MAR2014	APVD M. LUKSIC		
MATERIAL	TBD			PRODUCT SPEC	108-133014		
				APPLICATION SPEC	114-32111		
				WEIGHT	-		
				Customer Drawing	SCALE	1:1	SHEET 1 OF 2
					RESTRICTED TO		REV A1

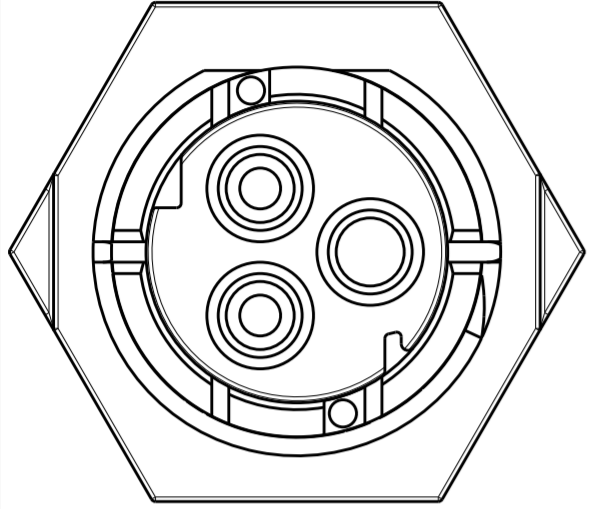
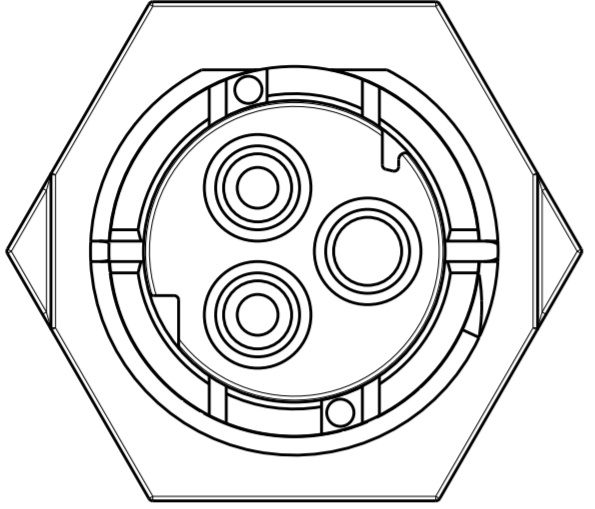
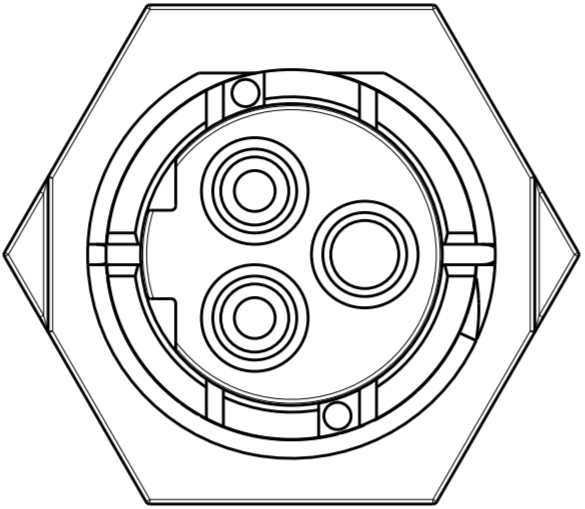


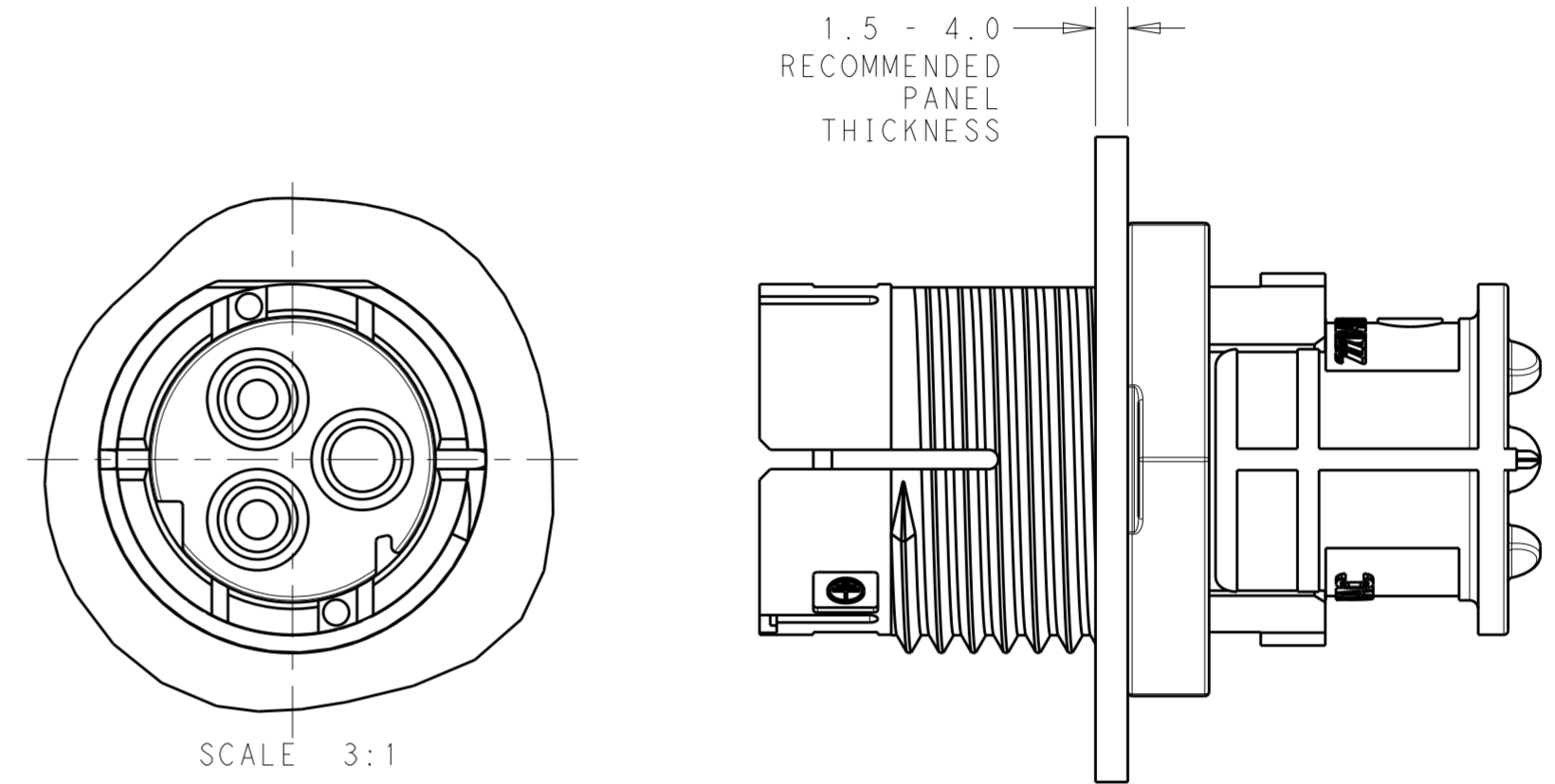
PANEL MOUNT, SOCKET; SEALED NECTOR M 3 POSITION

THIS DRAWING IS UNPUBLISHED. RELEASED FOR PUBLICATION 20  
 © COPYRIGHT 20 BY - ALL RIGHTS RESERVED.

REVISIONS				
P	LTR	DESCRIPTION	DATE	APVD
-		SEE SHEET 1	-	-

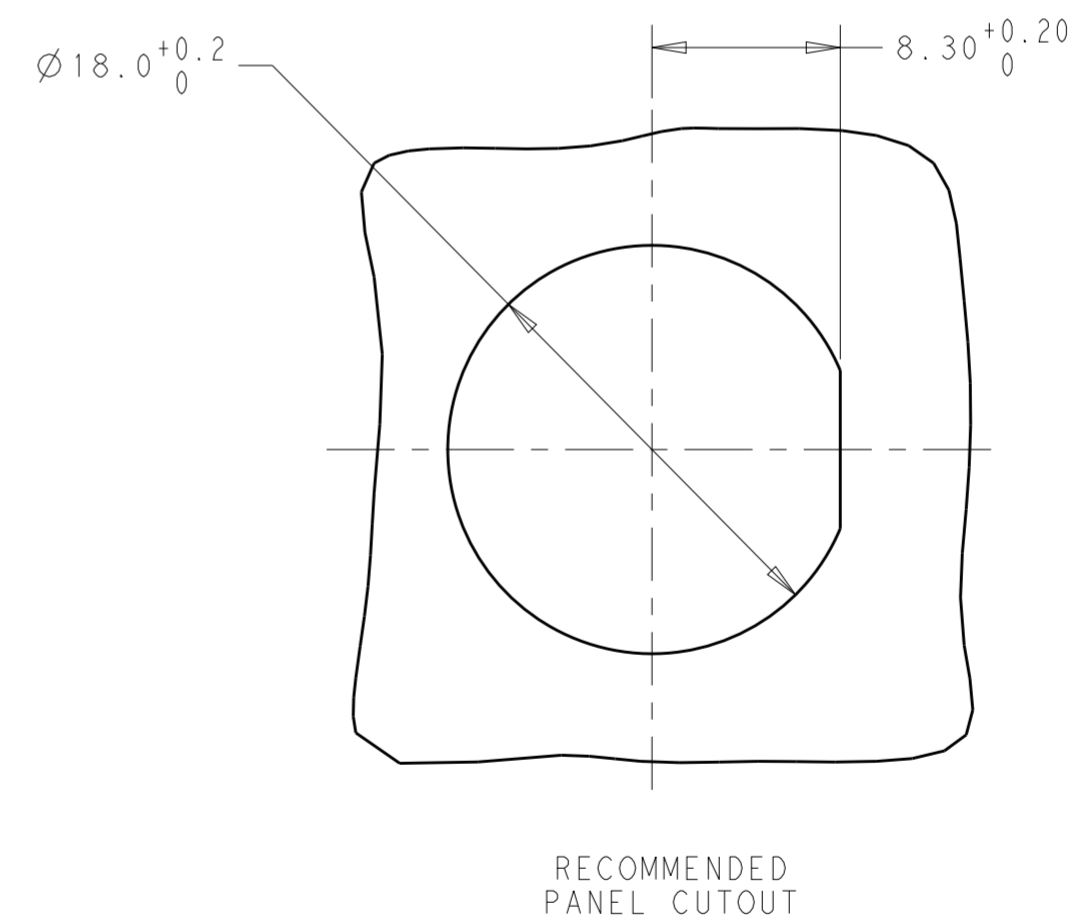
### POLARIZATION TYPES

POLARIZATION TYPE "A"	POLARIZATION TYPE "B"	POLARIZATION TYPE "C"
		
PN 2213468-1	<del>PN 2213468-2</del>	<del>PN 2213468-3</del>



1.5 - 4.0  
RECOMMENDED  
PANEL  
THICKNESS

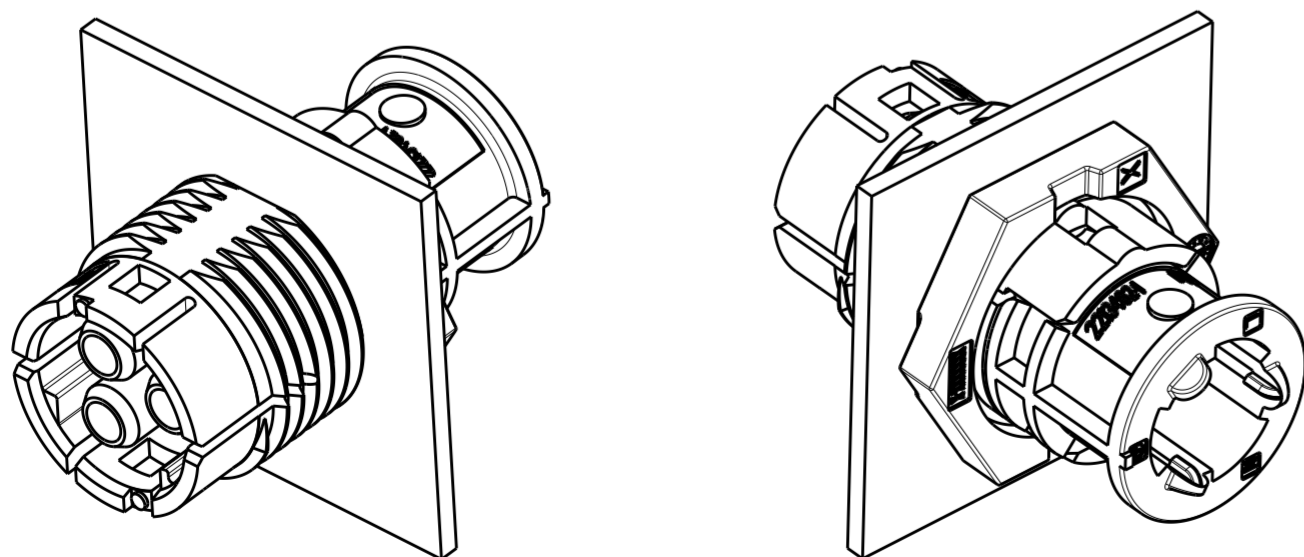
SCALE 3:1




$\varnothing 18.0^{+0.2}_0$

$8.30^{+0.20}_0$

RECOMMENDED  
PANEL CUTOUT



3D VIEWS  
FOR REFERENCE ONLY

THIS DRAWING IS A CONTROLLED DOCUMENT.		DWN J. SHAFFER 20MAR2014	 TE Connectivity	
DIMENSIONS: mm		CHK M. LUKSIC 20MAR2014		
TOLERANCES UNLESS OTHERWISE SPECIFIED:		APVD M. LUKSIC 20MAR2014	NAME PANEL MOUNT, SOCKET; SEALED NECTOR M 3 POSITION	
0 PLC ±	1 PLC ±0.3	PRODUCT SPEC 108-133014	SIZE A2	CAGE CODE -
2 PLC ±0.20	3 PLC ±	APPLICATION SPEC 114-32111	DRAWING NO. G-2213468	RESTRICTED TO -
4 PLC ±	ANGLES ±3°	WEIGHT -	SCALE 1:1	SHEET 2 OF 2
MATERIAL TBD	FINISH -	Customer Drawing	REV A1	