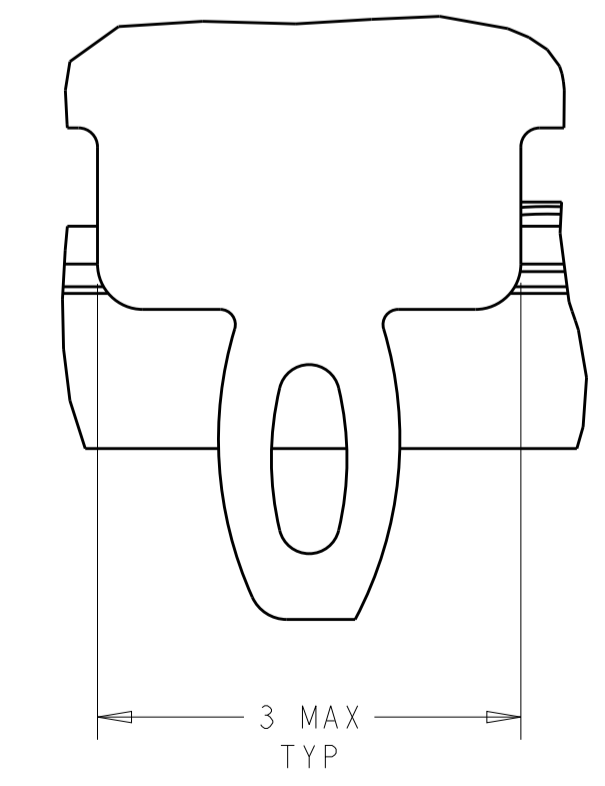
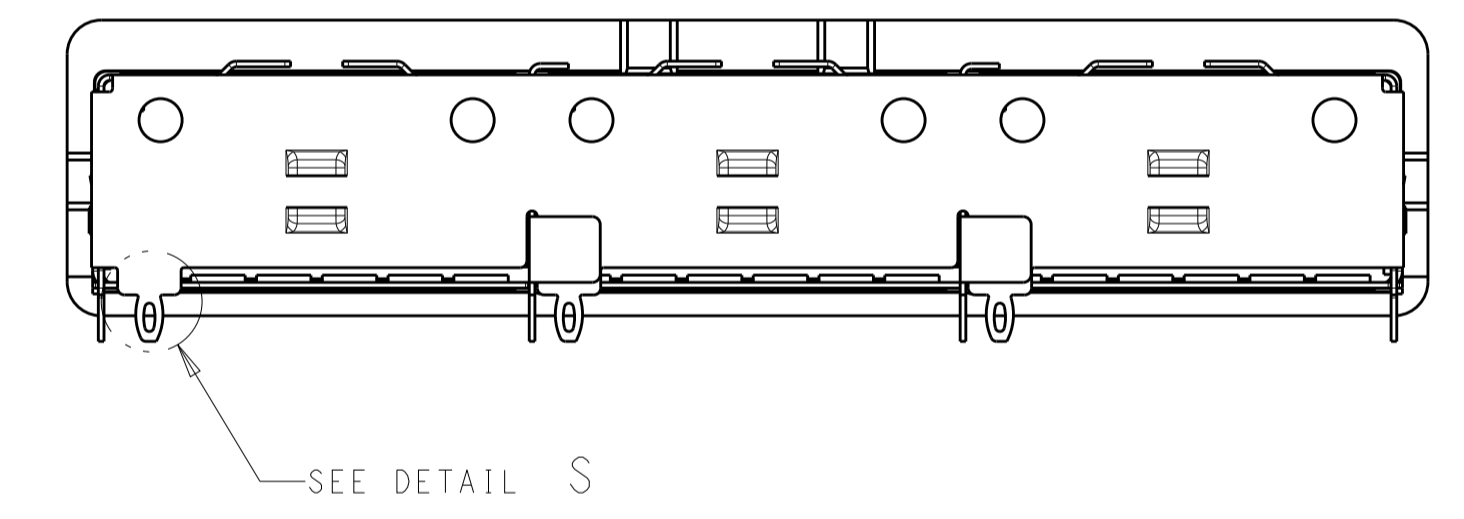
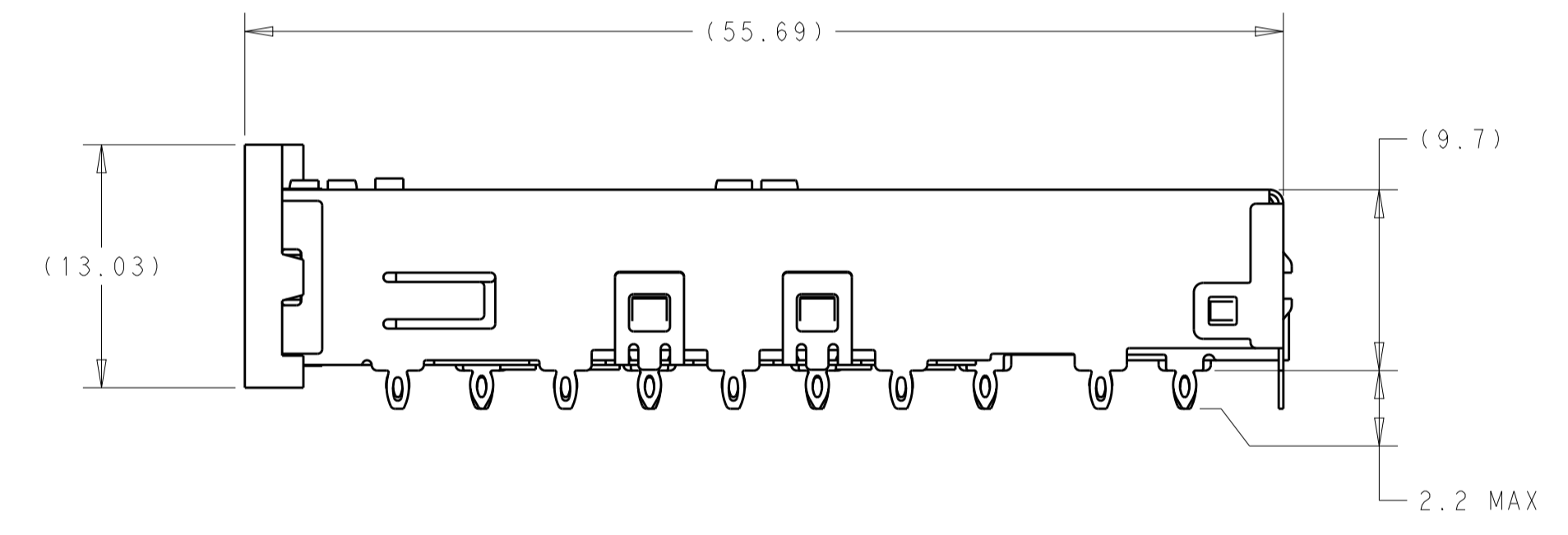
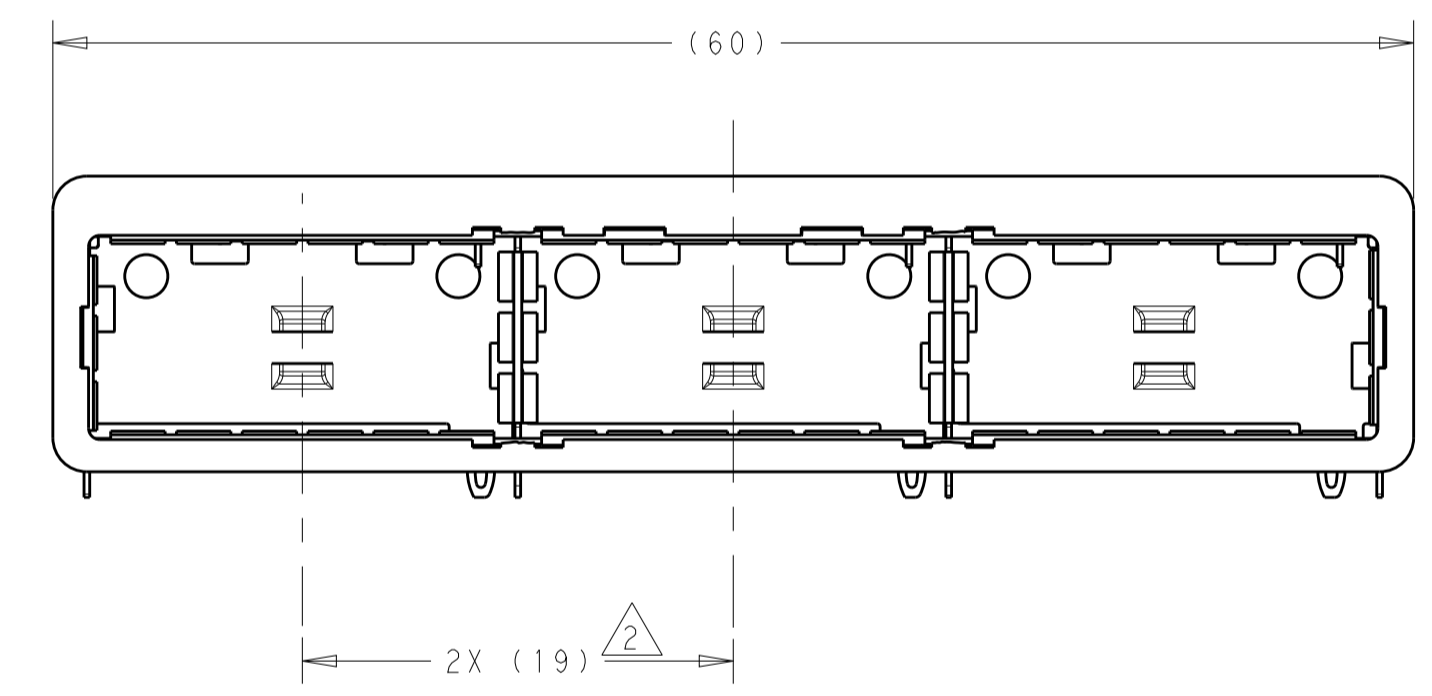
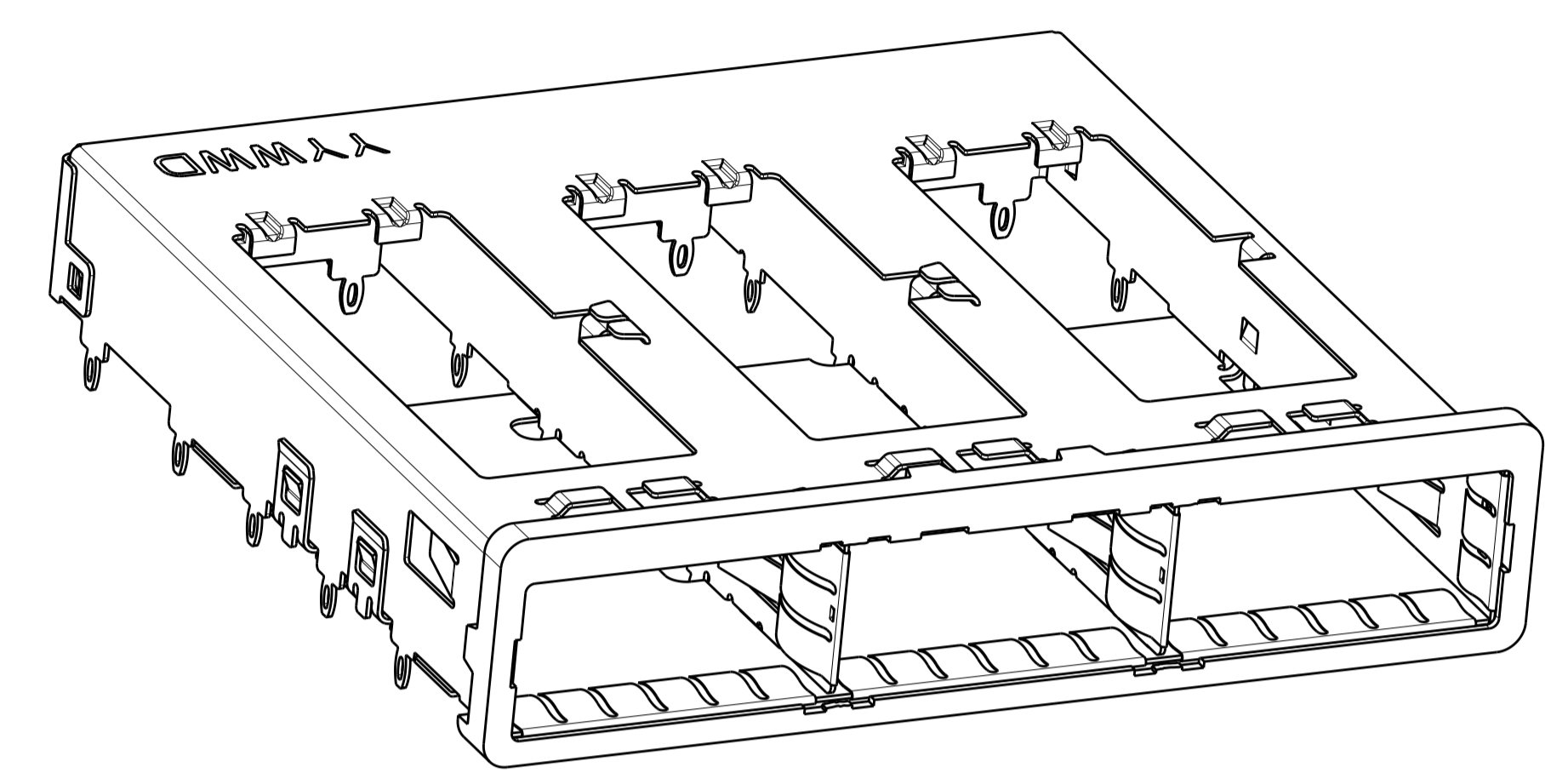
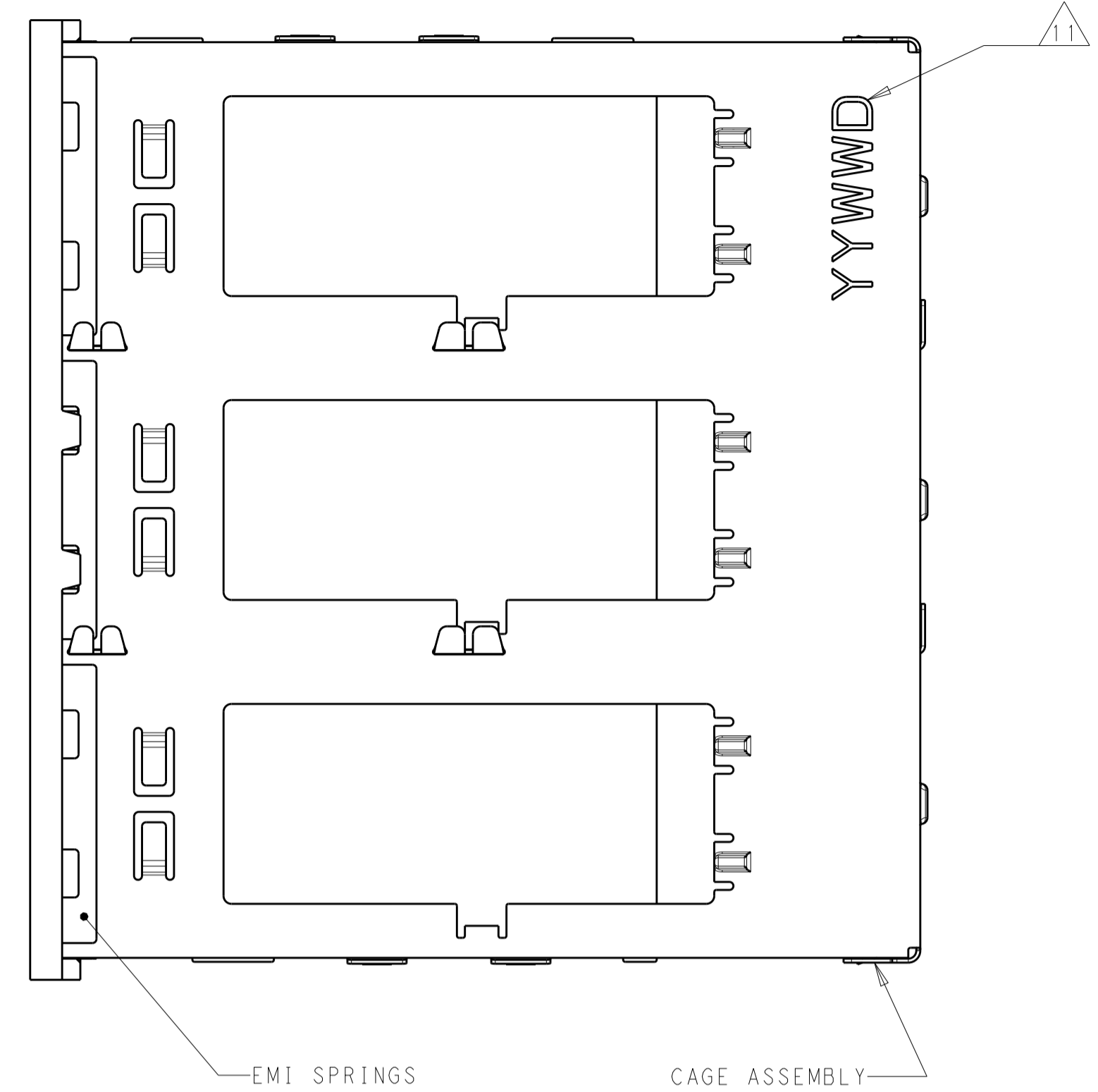
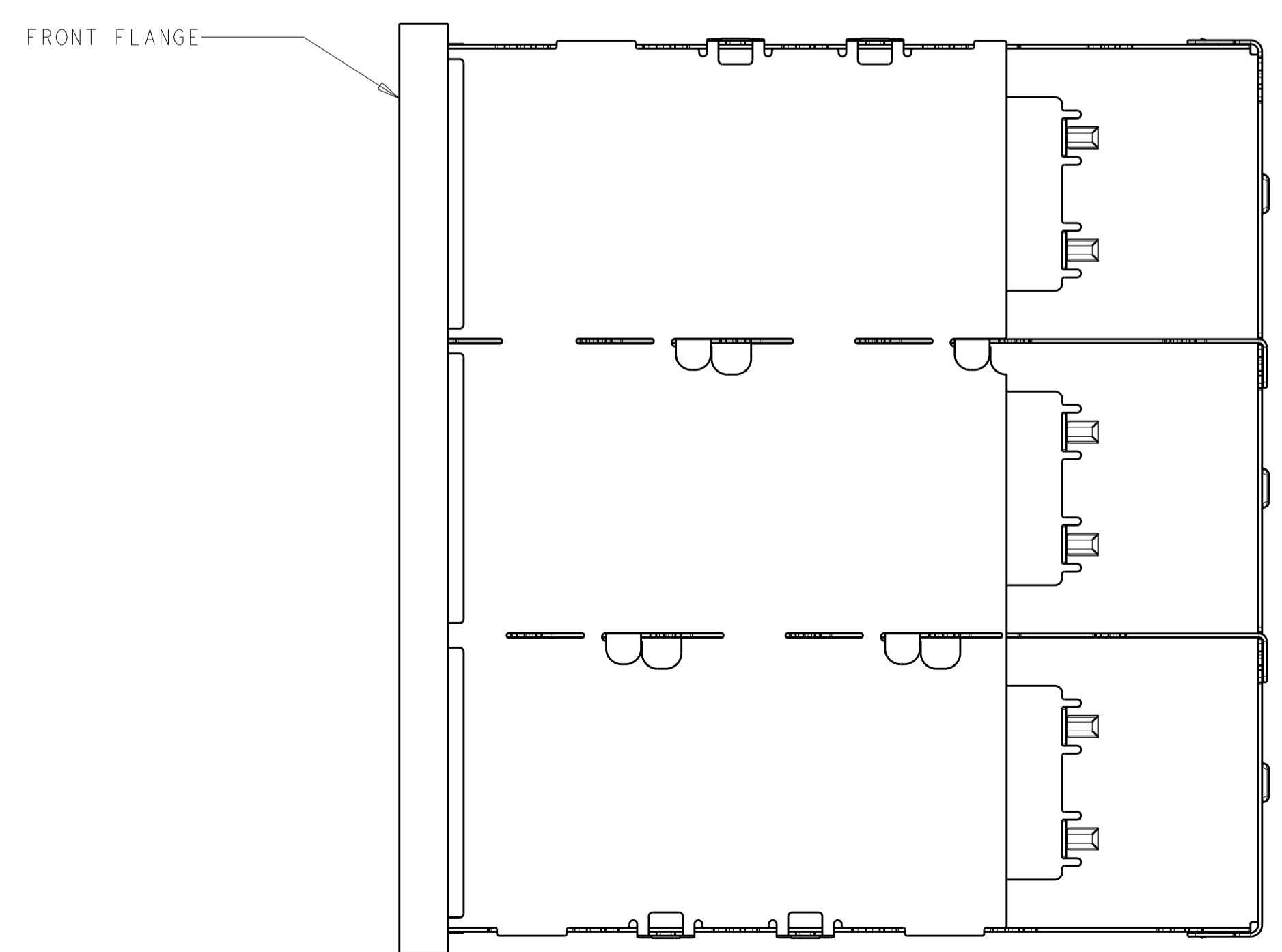


LOC		DIST		REVISIONS			
GP	00	P	LTN	DESCRIPTION	DATE	DWN	APVD
		A		RELEASED PER ECO-12-000076	17JAN2013	CJV	EDB

- △ SURFACE TRACES PERMITTED WITHIN THIS AREA EXCEPT WHERE CAGE STANDOFFS, SHOWN IN DETAIL S, CONTACT PC BOARD.
- △ PITCH BETWEEN PORTS OF ONE 1X3 CAGE ASSEMBLY.
- △ SPACING BETWEEN CAGES ON THE SAME PC BOARD, TO BE SPECIFIED BY CUSTOMER, MUST COMPLY WITH MINIMUM DIMENSIONS SHOWN.
- △ REFERENCE APPLICATION SPEC 114-XXXX FOR RECOMMENDED DRILL HOLE DIAMETER AND PLATING THICKNESS.
- △ UNPLATED THRU HOLE.
- △ DATUMS AND BASIC DIMENSIONS ESTABLISHED BY CUSTOMER.
- △ DATUM A IS TOP SURFACE OF PC BOARD.
- △ DIMENSION C IS THE NOMINAL THICKNESS OF CUSTOMER SUPPLIED PC BOARD.
- MINIMUM PC BOARD THICKNESS:
 - SINGLE SIDED = 1.45mm
 - DOUBLE SIDED = 2.2mm
- ⊕ MATES WITH QSFP MSA COMPATIBLE TRANSCEIVER.
- △ BASELINE FOR THESE DIMENSIONS IS THE CENTER OF COMPLIANT PIN HOLE.
- △ DATE CODE (YYWW) MARKED APPROXIMATELY AS SHOWN.
- △ REFERENCE APP SPEC 114-XXXX FOR GASKET THICKNESS CALCULATION.
- △ MATERIAL:
 - CAGE ASSEMBLY: NICKEL SILVER, 0.25 THICK
 - EMI SPRINGS: COPPER ALLOY
 - FRONT FLANGE: ZINC ALLOY
- △ FINISH:
 - EMI SPRINGS: 2μm MINIMUM TIN
 - FRONT FLANGE: 3μm MINIMUM TIN OVER 1.27μm MINIMUM NICKEL OVER 5.08μm MINIMUM COPPER.



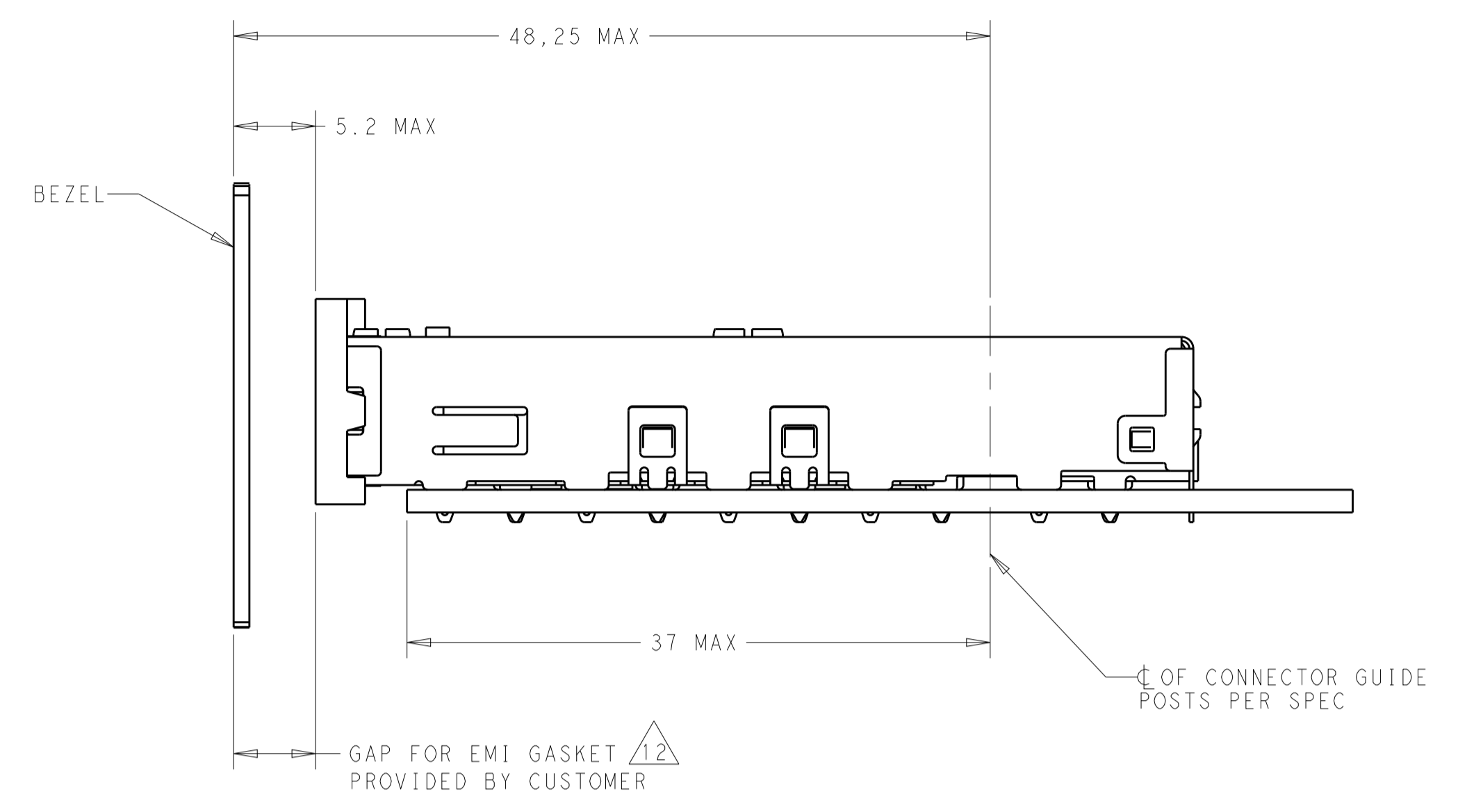
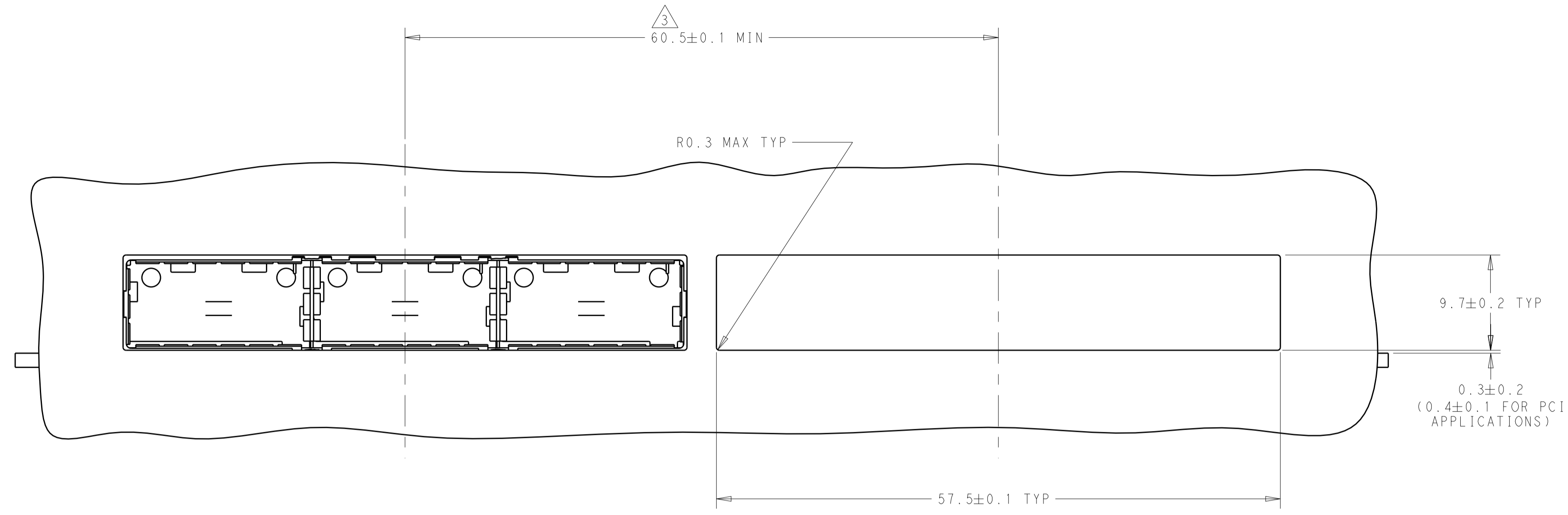
DETAIL S
SCALE 20:1



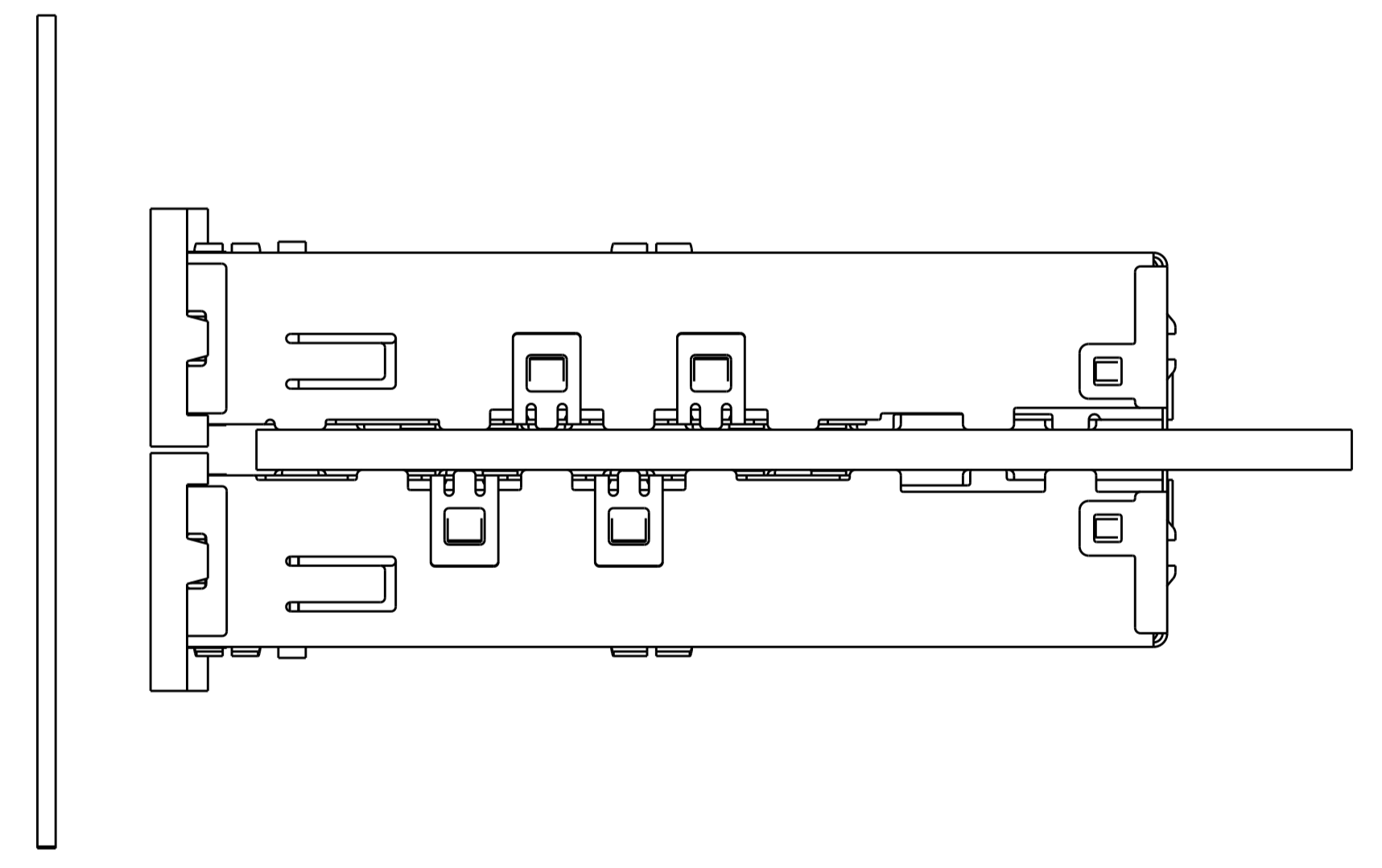
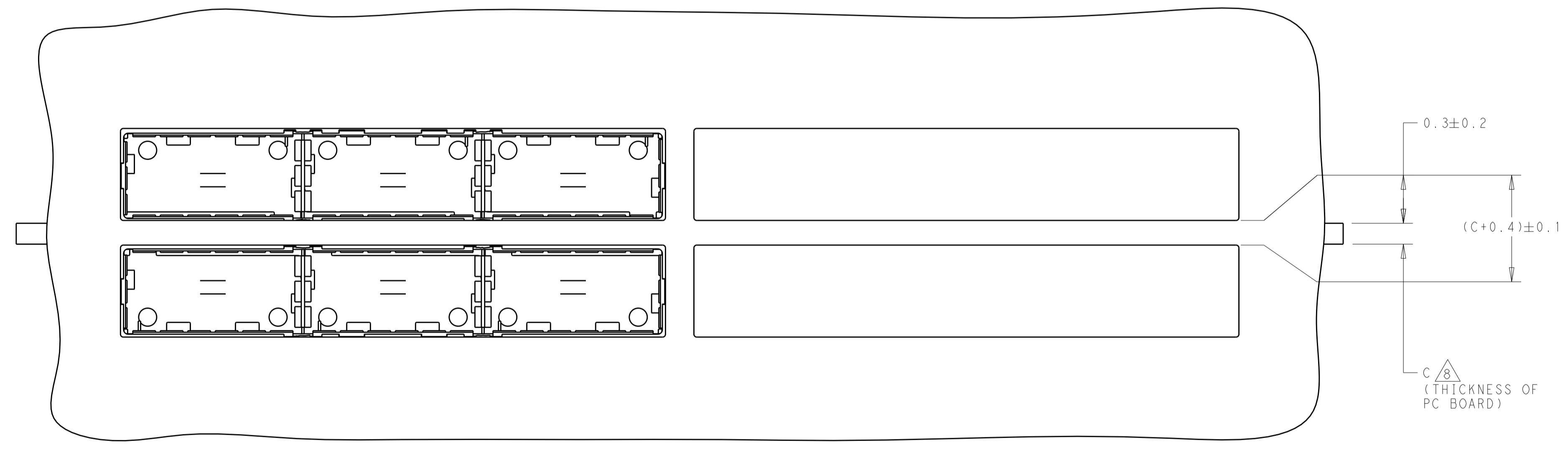
2173238-1
PART NUMBER

THIS DRAWING IS A CONTROLLED DOCUMENT. DIMENSIONING AND TOLERANCING PER ASME Y14.5M-2009.		DWN J.V.D. HEIJDEN 12AUG2011	TE Connectivity	NAME 1X3 CAGE ASSEMBLY, BEHIND BEZEL, QSFP+
DIMENSIONS: mm		CHK R. VERBEET 12AUG2011		PRODUCT SPEC
TOLERANCES UNLESS OTHERWISE SPECIFIED:		APVD T.D. ROER 15AUG2011	APPLICATION SPEC	SIZE CAGE CODE DRAWING NO
0 PLC ±.1		RESTRICTED TO	108-XXXX	A100779C=2173238
1 PLC ±0.1		WEIGHT	114-XXXX	SCALE 3:1 SHEET 1 OF 4 REV A
2 PLC ±0.13		CUSTOMER DRAWING	114-XXXX	
3 PLC ±0.001				
4 PLC ±.0001				
ANGLES ±.0001				
FINISH				

LOC		DIST		REVISIONS			
GP	00	P	LTN	DESCRIPTION	DATE	DMN	APVD
-	-	-	-	SEE SHEET 1	-	-	-



ONE SIDED CONFIGURATION
 SCALE 3:1

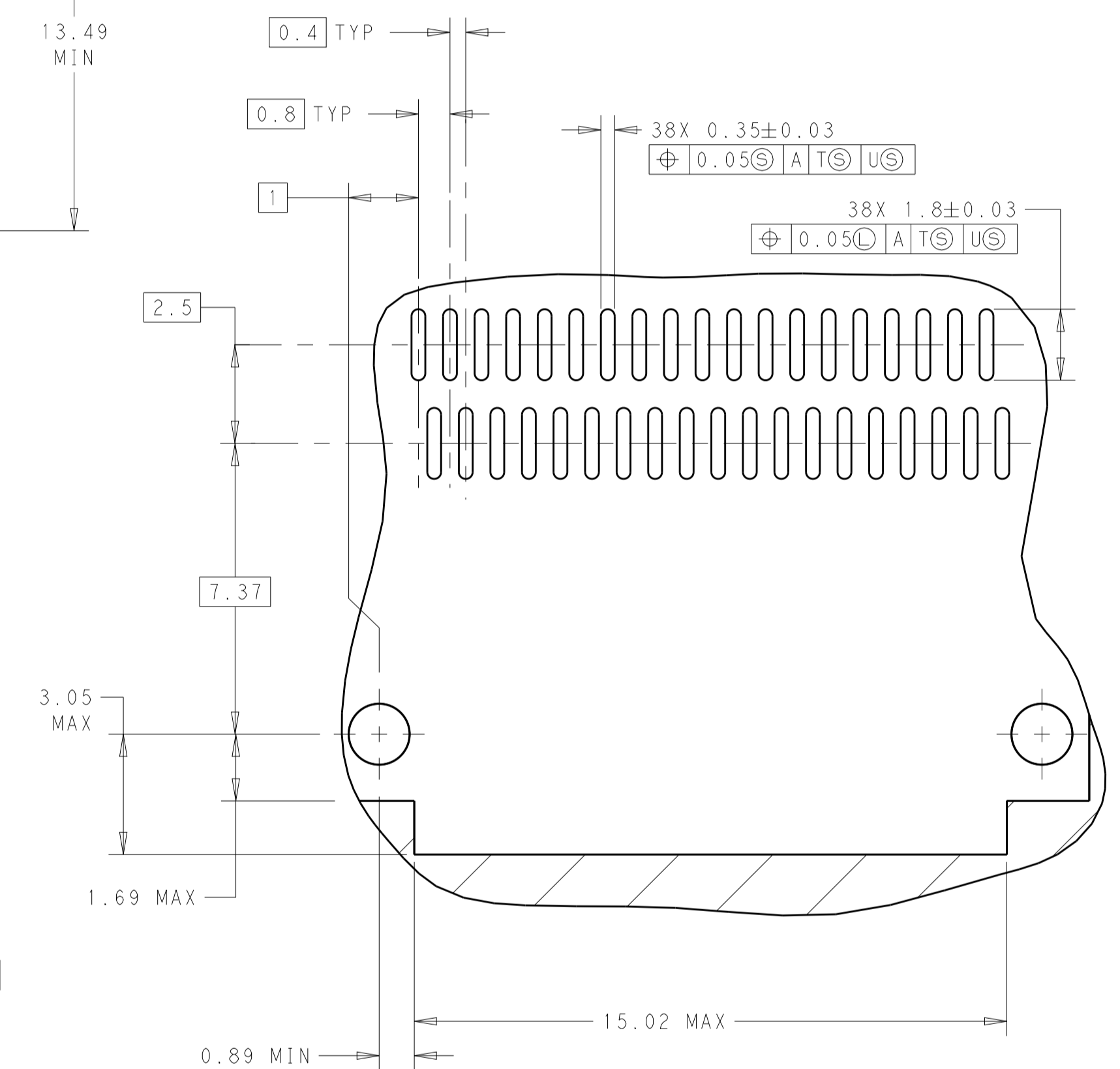
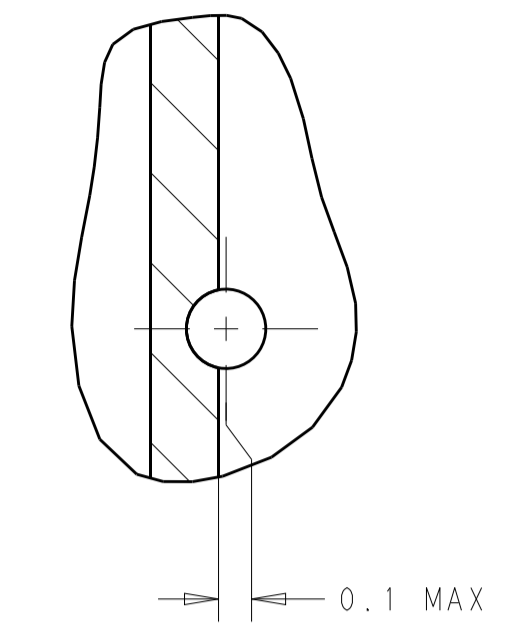
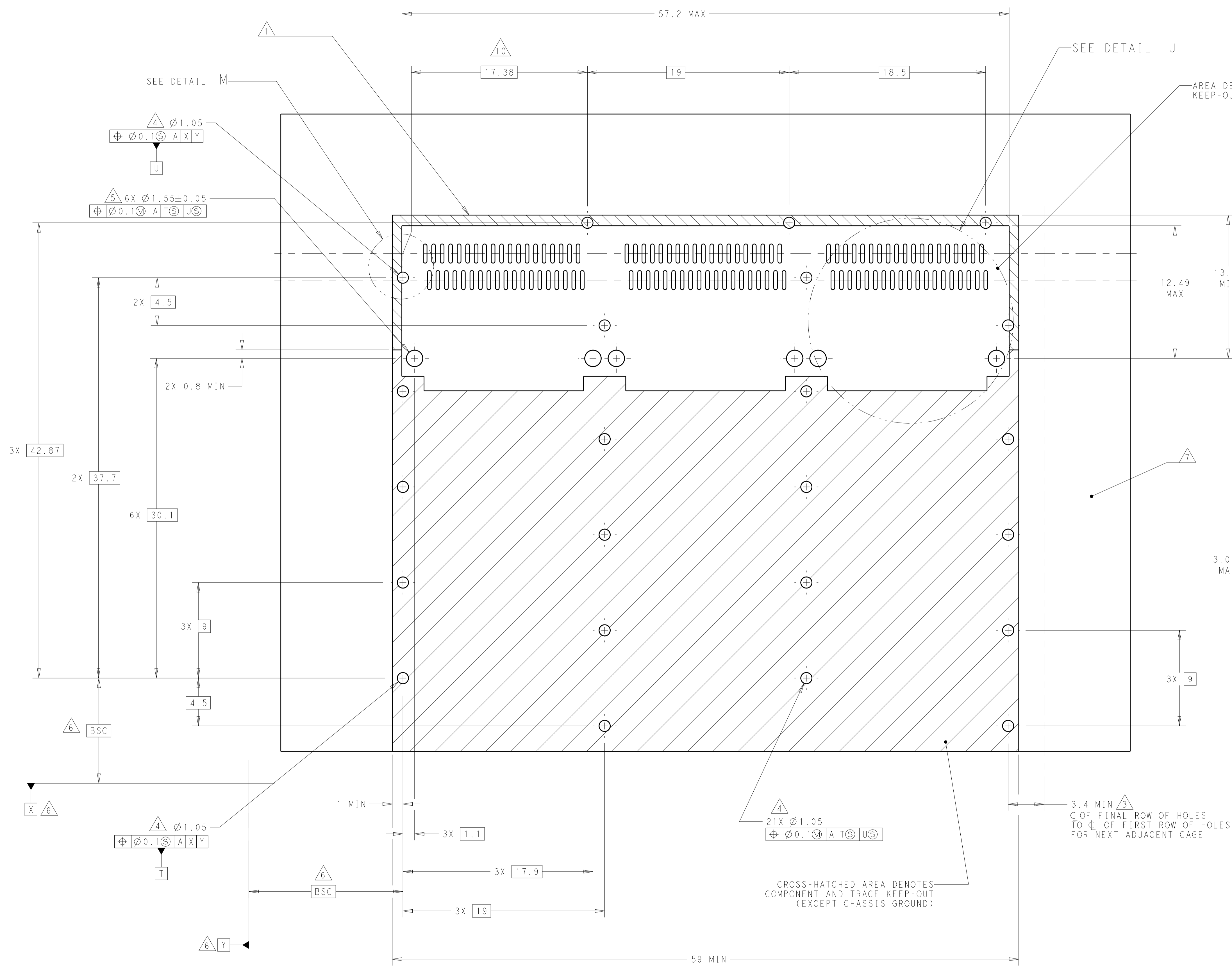


BELLY TO BELLY CONFIGURATION SIMILAR
 TO ONE SIDED EXCEPT WHERE NOTED
 SCALE 3:1

THIS DRAWING IS A CONTROLLED DOCUMENT. DIMENSIONING AND TOLERANCING PER ASME Y14.5M-2009		DMN J.V.D. HEIJDEN 12AUG2011	TE Connectivity
DIMENSIONS: mm		CHK R. VERBEET 12AUG2011	
TOLERANCES UNLESS OTHERWISE SPECIFIED:		APVD T.D. ROER 15AUG2011	NAME 1X3 CAGE ASSEMBLY, BEHIND BEZEL, ZQSFP+
0 PLC ±	1 PLC ±0.1	PRODUCT SPEC	SIZE CAGE CODE DRAWING NO
2 PLC ±0.1	3 PLC ±0.013	APPLICATION SPEC	RESTRICTED TO
4 PLC ±0.0001	ANGLES ±	WEIGHT	A100779C=2173238
MATERIAL FINISH		CUSTOMER DRAWING	SCALE 3:1 SHEET 2 OF 4 REV A

LOC	DIST	REV	DATE	BY	APPD
GP	00				

REVISIONS					
REV	DATE	DESCRIPTION	BY	APPD	DATE
-	-	SEE SHEET 1	-	-	-

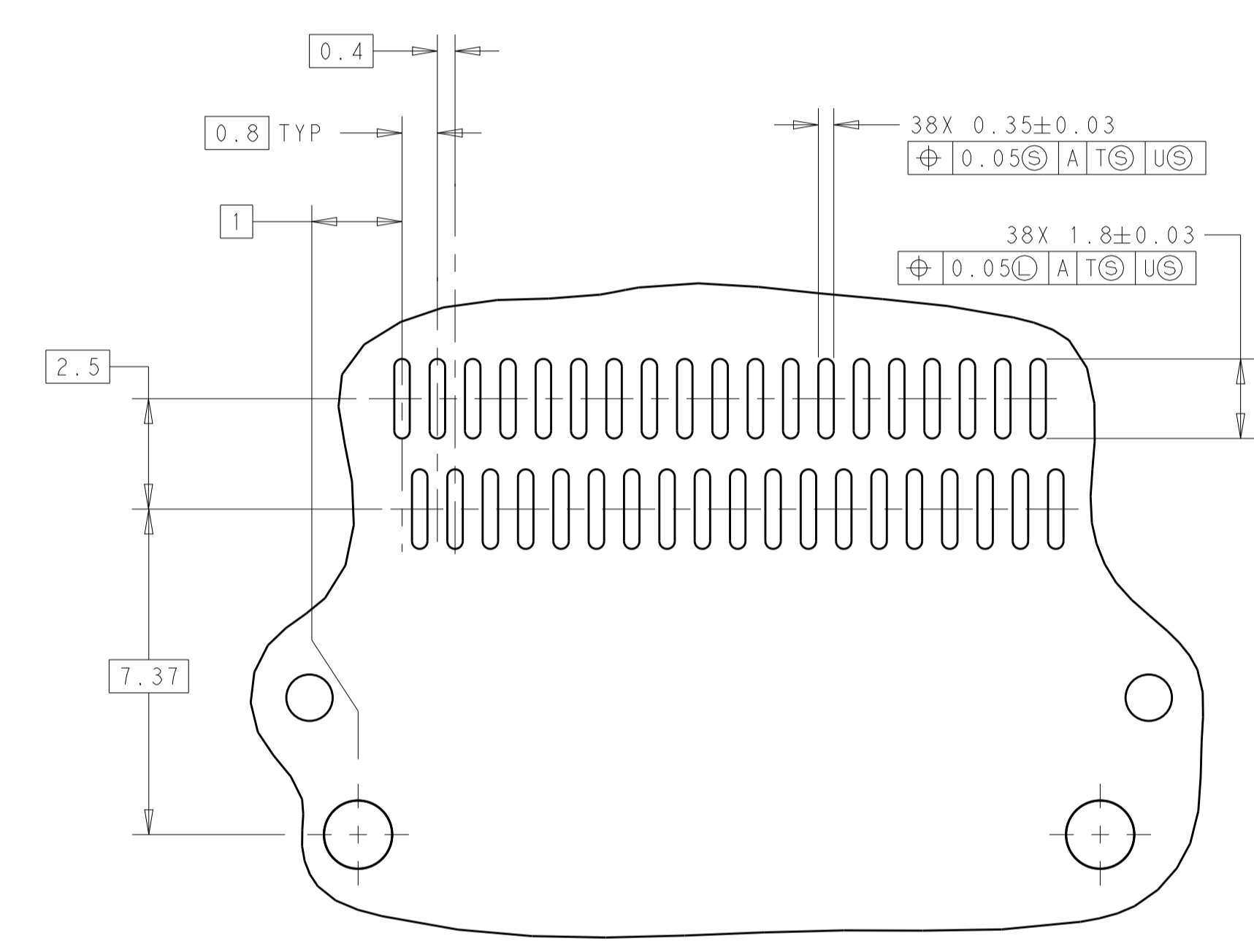
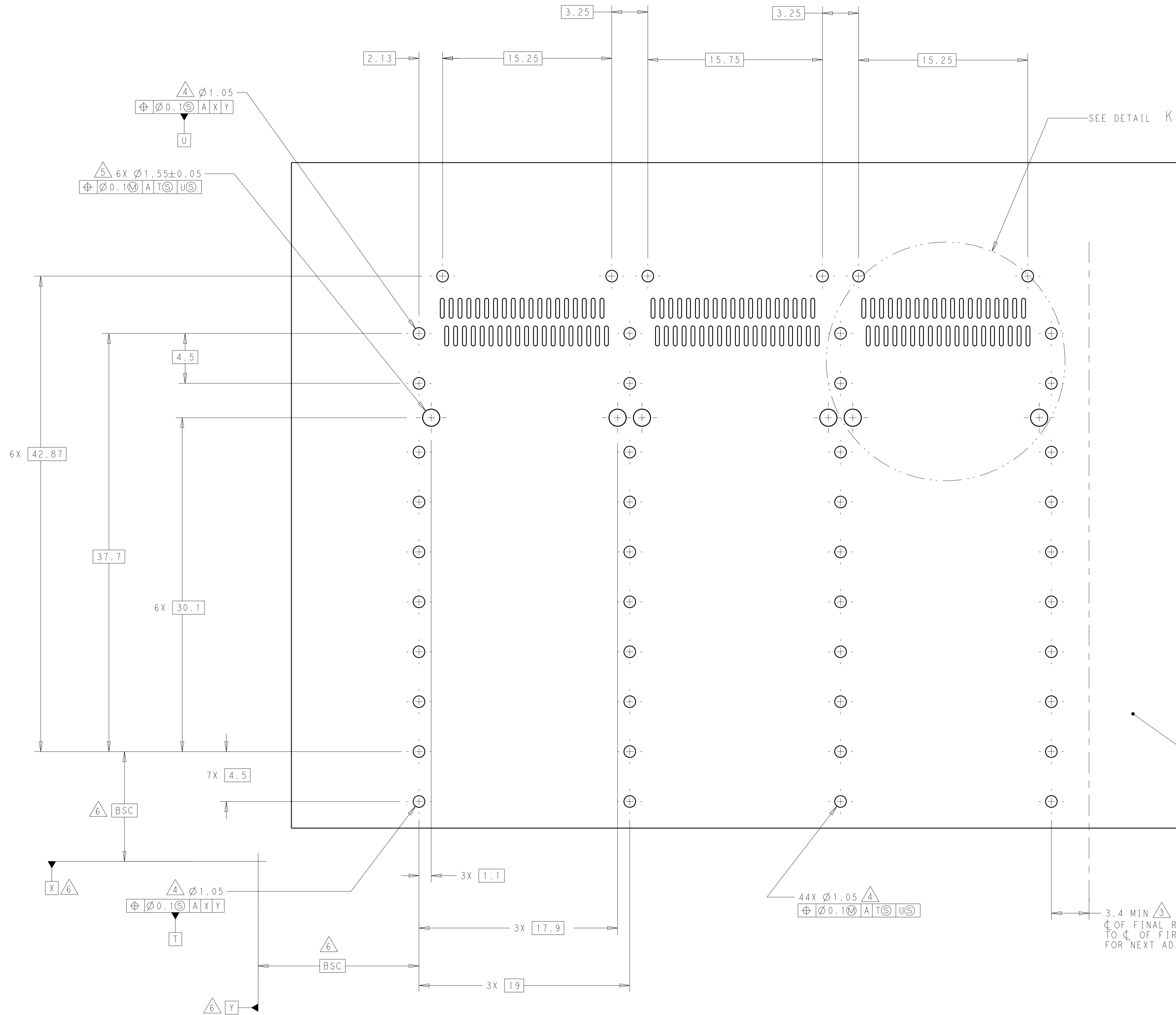


RECOMMENDED PC BOARD LAYOUT
 SINGLE SIDE MOUNT CONFIGURATION
 SCALE 5:1

THIS DRAWING IS A CONTROLLED DOCUMENT. DIMENSIONING AND TOLERANCING PER ASME Y14.5M-2009.		DWN: J.V.D. HEIJDEN 12AUG2011 CHK: R. VERBEET 12AUG2011 APVD: T.D. ROER 15AUG2011	STE TE Connectivity
DIMENSIONS: mm 	TOLERANCES UNLESS OTHERWISE SPECIFIED: 0 PLC ±0.1 1 PLC ±0.1 2 PLC ±0.1 3 PLC ±0.013 4 PLC ±0.0001 ANGLES ±0.0001	NAME: 1X3 CAGE ASSEMBLY, BEHIND BEZEL, ZQSFP+ SIZE: CAGE CODE DRAWING NO: A100779C=2173238 WEIGHT: --- CUSTOMER DRAWING	RESTRICTED TO: --- SCALE: 3:1 SHEET 3 OF 4 REV A

LOC	DIST	REV	DATE	BY	APPV
GP	00				

REVISIONS					
REV	DATE	DESCRIPTION	BY	APPV	DATE
-	-	SEE SHEET 1	-	-	-



DETAIL K
 3 PLACES
 SCALE 8:1

RECOMMENDED PC BOARD LAYOUT
 BELLY TO BELLY CONFIGURATION
 SCALE 5:1

THIS DRAWING IS A CONTROLLED DOCUMENT. DIMENSIONING AND TOLERANCING PER ASME Y14.5M-2009.		DWN: J.V.D. HEIJDEN CHK: R. VERBEEF APVD: T.D. ROER DATE: 12AUG2011 DATE: 12AUG2011 DATE: 15AUG2011	STE TE Connectivity NAME: 1X3 CAGE ASSEMBLY, BEHIND BEZEL, ZQSFP+
DIMENSIONS: mm TOLERANCES UNLESS OTHERWISE SPECIFIED: 0 PLC ± 1 PLC ±0.1 2 PLC ±0.1 3 PLC ±0.013 4 PLC ±0.0001 ANGLES ±	PRODUCT SPEC: 108- APPLICATION SPEC: 114- WEIGHT: - CUSTOMER DRAWING	SIZE: A1 CAGE CODE: 00779 DRAWING NO: C=2173238 SCALE: 3:1 SHEET: 4 OF 4 REV: A	RESTRICTED TO: -