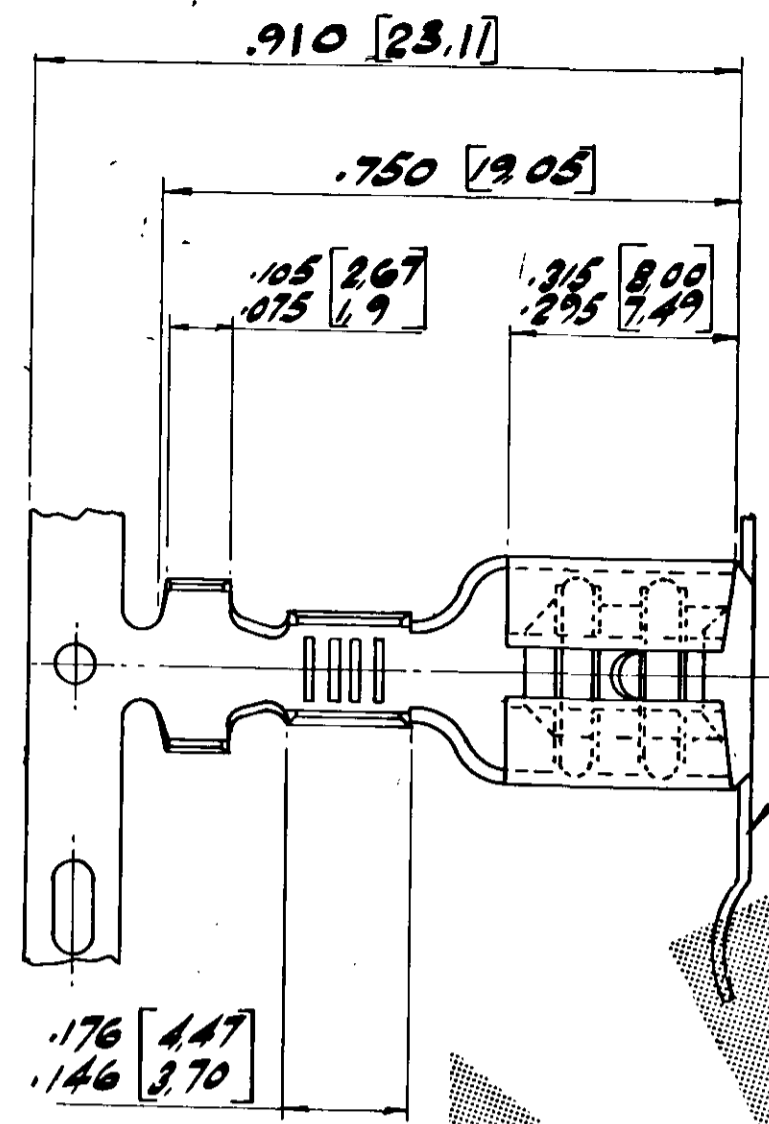


DO NOT SCALE
DIMENSIONS IN

3rd ANGLE PROJECTION

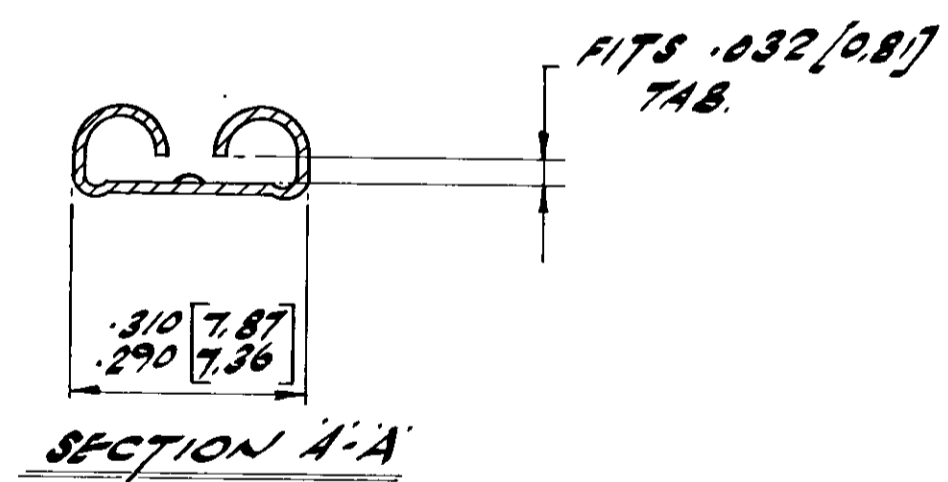
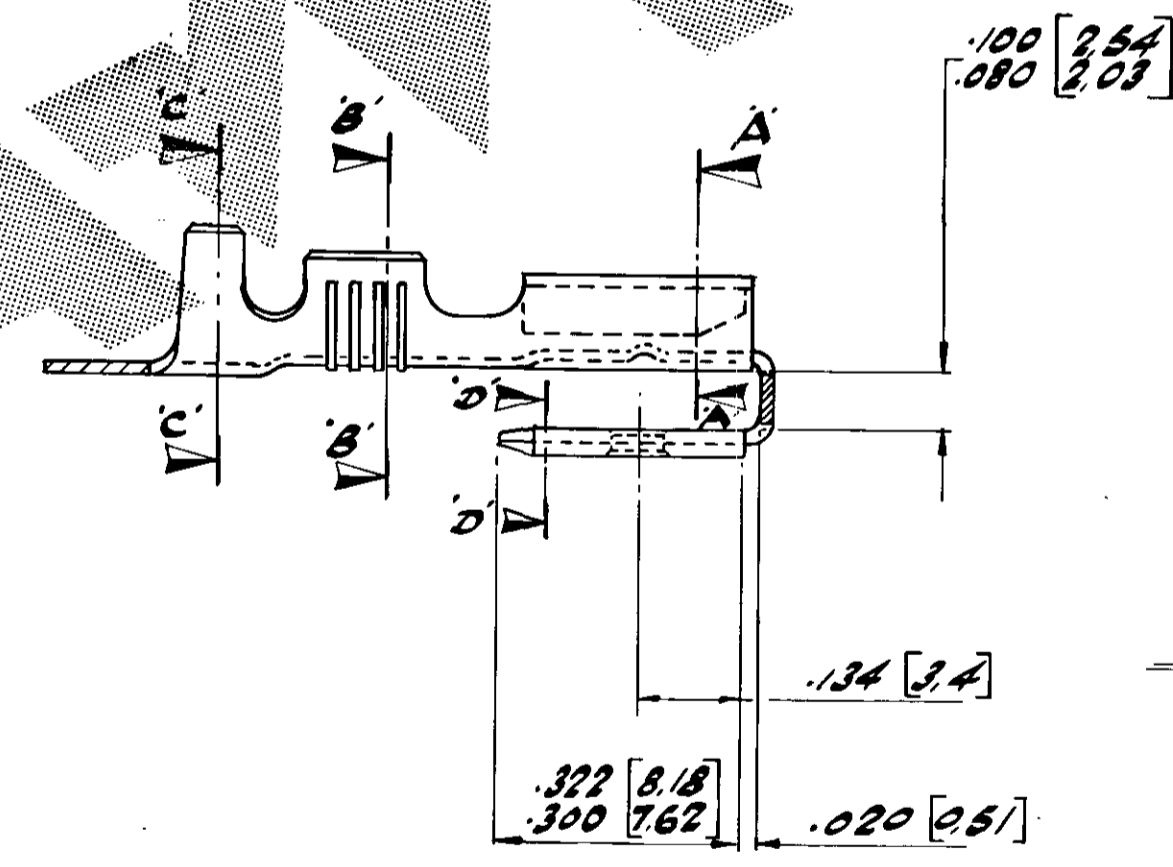
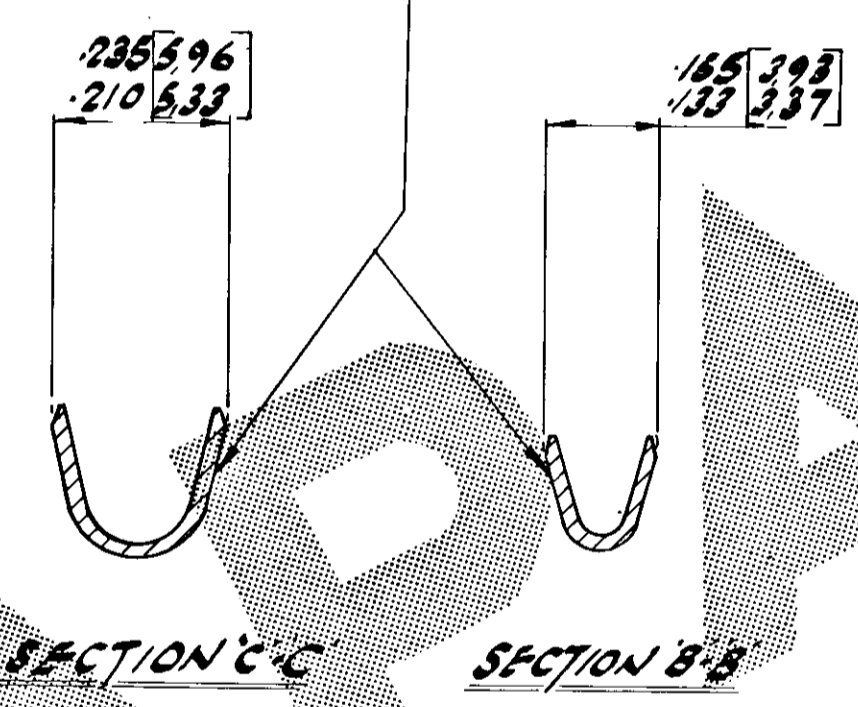
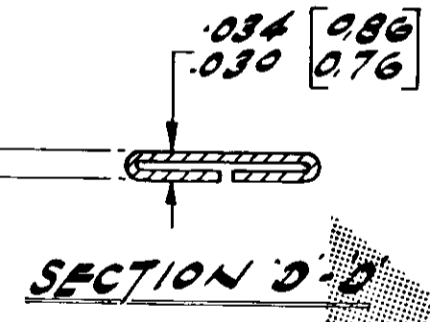


PART NO	MATERIAL	FINISH	REMARKS	PART NO	MATERIAL	FINISH	REMARKS
△ OBSOLETE 2-150645-6	BRASS	ELECTRO-TIN	NO CARRIER	150645-1	PHOS. BRONZE	NONE	
				150645-2	BRASS	NONE	
				△ OBSOLETE 150645-3	BRASS	PRE-TIN	
				150645-4	STEEL	NONE	
				150645-5	STEEL	NICKEL	OBSOLETE
				150645-6	PHOS. BRONZE	PRE-TIN	NO REAR
△ OBSOLETE 150645-7	STEEL	ELECTRO-TIN	CARRIER	150645-8	PHOS. BRONZE	SILVER	STRIP
△ OBSOLETE 150645-9	NICKEL SILVER	NONE		150645-0	BRASS	ELECTRO-TIN	
△ OBSOLETE 150645-1	PHOS. BRONZE	ELECTRO-TIN		2-150645-1	PHOS. BRONZE	NONE	
				2-150645-2	BRASS	NONE	
				2-150645-3	BRASS	PRE-TIN	
△ OBSOLETE 2-150645-4	PHOS. BRONZE	PRE-TIN		2-150645-5	NICKEL SILVER	NONE	
				3-150645-1	PHOS. BRONZE	NONE	
				3-150645-2	BRASS	NONE	
				3-150645-3	BRASS	PRE-TIN	WITH REAR
				3-150645-4	STEEL	NONE	CARRIER
OBSOLETE 3-150645-5	STEEL	NICKEL	STRIP	3-150645-6	PHOS. BRONZE	PRE-TIN	
				3-150645-7	STEEL	ELECTRO-TIN	
				3-150645-8	PHOS. BRONZE	SILVER PLATE	
				3-150645-9	NICKEL SILVER	NONE	
				4-150645-0	BRASS	ELECTRO-TIN	
				4-150645-1	PHOS. BRONZE	ELECTRO-TIN	

SIDES OF 'U' TO BE THE SAME HEIGHT WITHIN .015 [0.38]

SEE "REMARKS" ON THIS CARRIER

.035 [0.89] MAX. PERMISSIBLE AT EDGES OF TAB



△ OBSOLETE PARTS: OBSOLETE CIS STREAMLINING PER D.RENAUD/D.SINISI

OTHER TREATMENT		FINISH		MATERIAL		PART NUMBER	
CUSTOMER DWG FOR REFERENCE ONLY		THIS DRAWING IS UNPUBLISHED		RELEASED FOR PUBLICATION		19	
TOLERANCES UNLESS OTHERWISE STATED:-		INS. DIA. RANGE		WIRE RANGE		SCALE	
DEC ± .015 [0.38]		.120 - .170		18 - 14		#1	
ANGLES ± 1°		DR. PE-DRAWN/ C.F. SLOUGH		CHK. D. ALLEN 5/12/83		REV. David Allen 5/12/83	
T3 REVISED PER ECR-19-018140		MK TD 24DEC2019		A2		LOC. DWG. NO. E C-150645	
T2 REVISED PER ECR-15-016346		NK/LP 09MAY2016		REV. SHEET 1 of 1			

STE TE Connectivity
NAME WIRE TERMINAL
250 SERIES FASTON PIGGY BACK