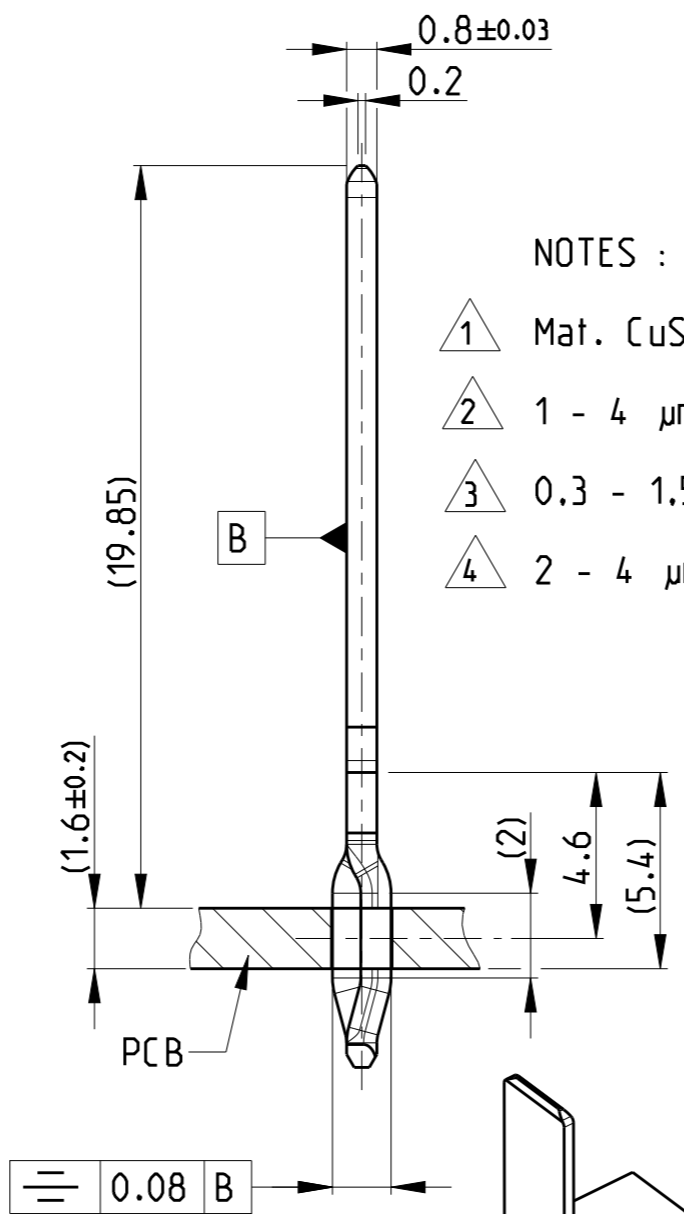
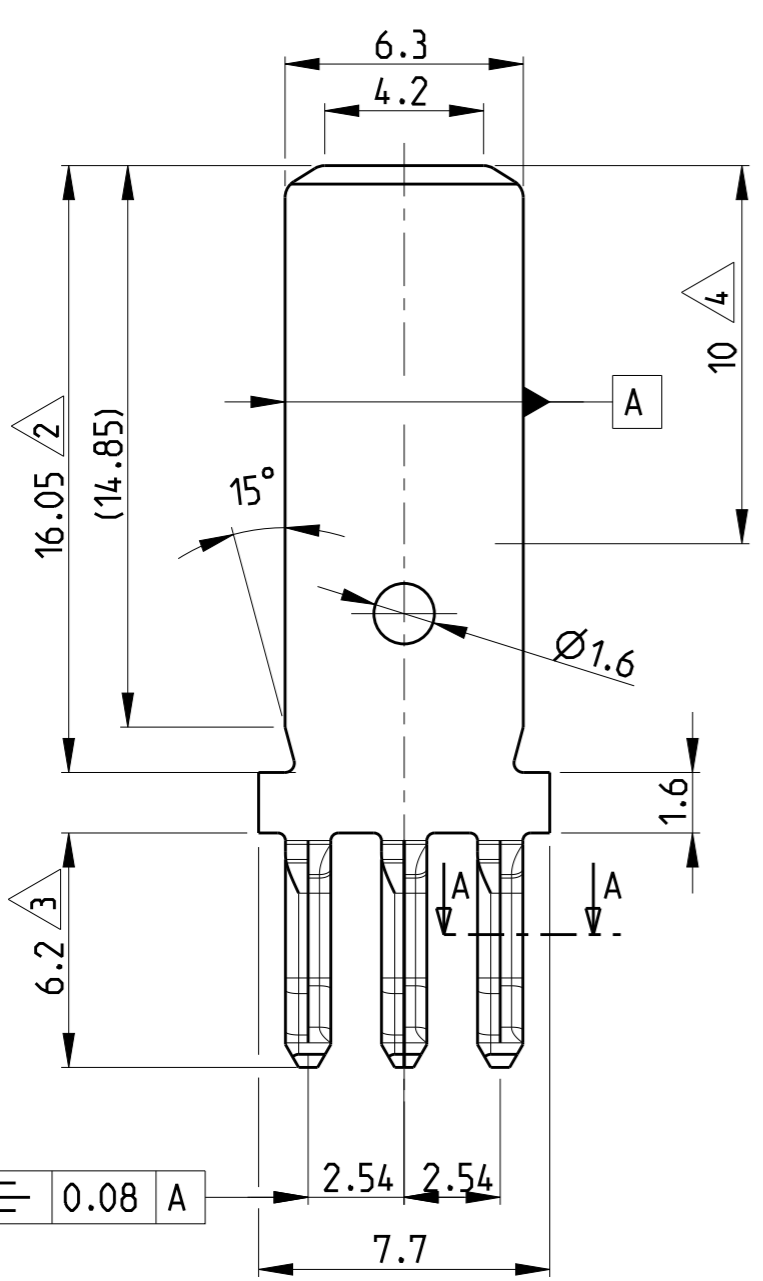


THIS DRAWING IS UNPUBLISHED
RELEASED FOR PUBLICATION
2009
COPYRIGHT 2009 BY - ALL RIGHTS RESERVED.

REVISIONS

P	LTR	DESCRIPTION	DATE	DWN	APVD
	B2	ECR-09-015458	10-JULY-09	PKS	MW
	B3	PN 1740723-4 ADDED AS PRELIMINARY	29OCT2013	PKS	RRP
	B4	REVISED PER ECR-19-015056	01OCT2019	BDA	DH



NOTES :

- 1 Mat. CuSn / THICKNESS 0.8 mm
- 2 1 - 4 µm Sn OVER NICKEL.
- 3 0.3 - 1.5 µm Sn OVER NICKEL.
- 4 2 - 4 µm Ag OVER NICKEL.

P.C.B. HOLE DIM. ACTION PIN

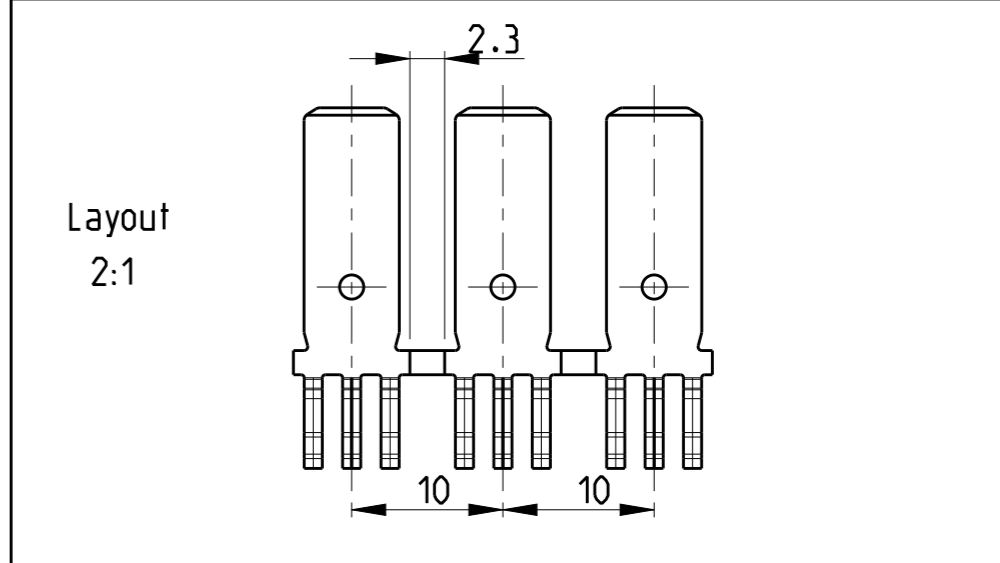
DRILLED HOLE : 1.6 ± 0.025 mm

FIN HOLE : 1.47 ± 0.07 mm

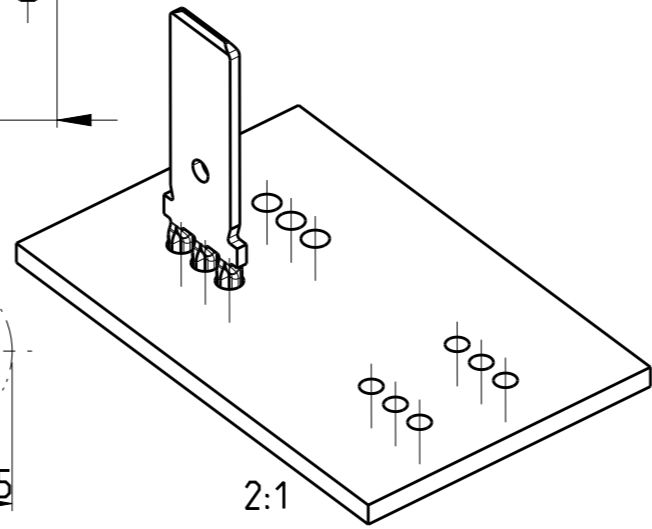
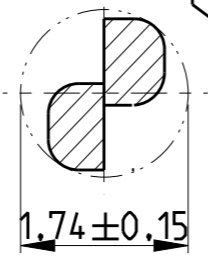
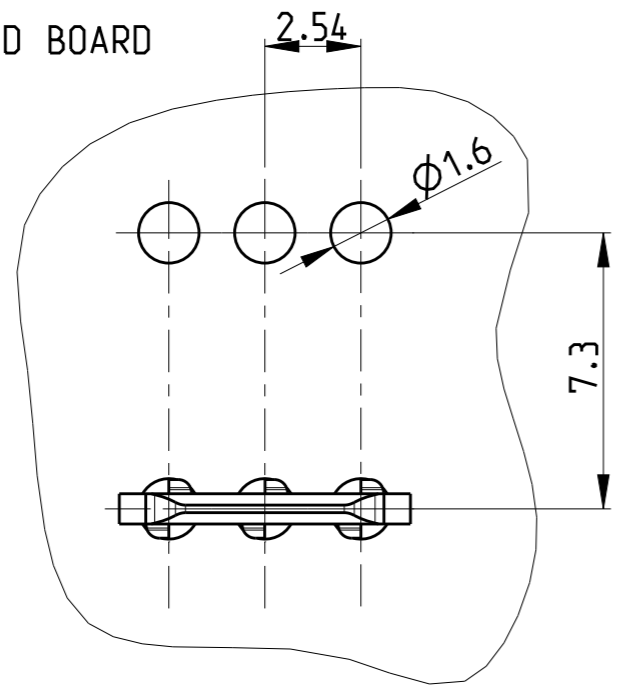
Cu - thickness : 0.025 to 0.075 mm

Sn - thickness : 0.0008 to 0.0012 mm or

Sn - thickness : 0.004 to 0.010

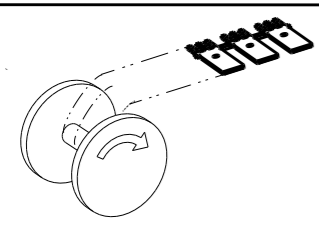


RECOMMENDED BOARD LAYOUT



PRELIMINARY	1740723-5	1	Cu Sn	4	3	BOARD REEL
PRELIMINARY	1740723-4	1	Cu Sn	4	3	REUSED PLASTIC REEL
	1740723-3	A	Cu Sn	2	3	REUSED PLASTIC REEL
	1740723-2	B	Cu Sn	2	3	BOARD REEL
PART-NO	REV.	MATERIAL	SURFACE	REEL		

DIRECTION OFF TOP OF REEL



PN 0-1740723-2 & PN 0-1740723-3

THIS DRAWING IS A CONTROLLED DOCUMENT.

DIMENSIONS:	TOLERANCES UNLESS OTHERWISE SPECIFIED:
mm	±0.2
0 PLC	+
1 PLC	+
2 PLC	+
3 PLC	+
4 PLC	+
ANGLES	±1°
MATERIAL	FINISH
1	2 3

DWN	SENTHIL	01-JUN-09
CHK	RAJENDRA	01-JUN-09
APVD	M.WESTEN	01-JUN-09
PRODUCT SPEC	108-94044	
APPLICATION SPEC	114-18789	
WEIGHT	-	
Customer Drawing		

STE TE Connectivity

NAME: TAB WITH ACTION-PIN
TAB MIT ACTION-PIN

SIZE	CAGE CODE	DRAWING NO	RESTRICTED TO
A3	00779	C-1740723	-

SCALE 5:1 SHEET 1 OF 1 REV B4