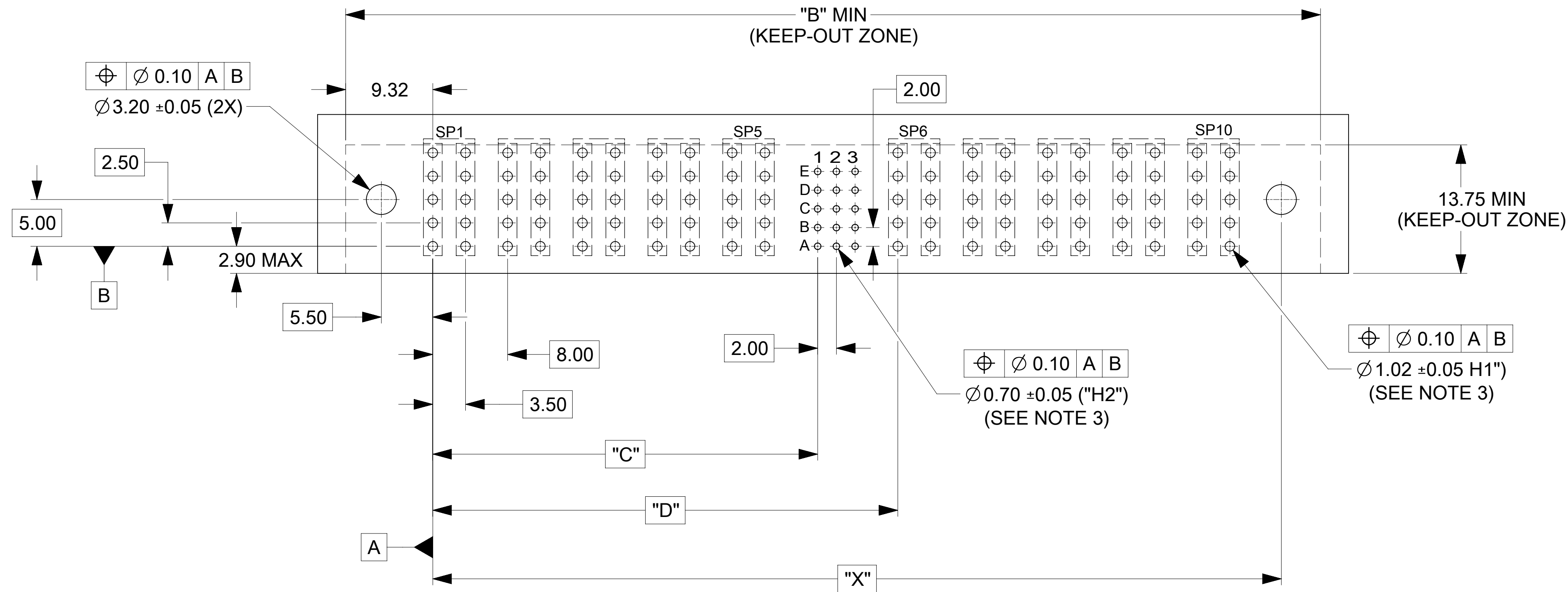


- NOTES:
- MATERIAL:
 - HOUSINGS: LCP UL94, V-0, COLOR: BLACK
 - TERMINALS: HIGH CONDUCTIVITY COPPER ALLOY
 - PLATING: 1.27 MICROMETER (50 MICROINCH) NICKEL OVERALL WITH 2.54 MICROMETER (100 MICROINCH) SELECTIVE TIN ON TAILS AND 0.762 MICROMETER (30 MICROINCH) SELECTIVE GOLD ON CONTACT AREA
 - PACKAGING: ASSEMBLIES TO BE TRAY PACKED PER PACKAGING SPEC: 1710881001-PK
 - PLATED THRU HOLE SIZE, REFER TO PS-171088-0000 FOR DETAILS
 - PRODUCT SPEC: PS-171088-0000
 - PRODUCT TO MEET RoHS REQUIREMENTS
 - ASSEMBLY MATES TO MOLEX RECEPTACLE ASSEMBLY P/N 171089-**** AND 171090-**** (SEE TABLE IN SHEET 2)
 - TAIL DESIGN: COMPLIANT TAIL
 - POWER AND SIGNAL CONTACTS ARE LUBRICATED.
 - APPLICATION SPEC: AS-46436-100..
 - MOLEX LOGO TO BE LOCATED APPROXIMATELY AS SHOWN.

| | | | | | | | | | |
|---|--|------------------------|--|-----------------------------------|--|--------------|--|-----------------|--|
| THIS DRAWING CONTAINS INFORMATION THAT IS PROPRIETARY TO MOLEX ELECTRONIC TECHNOLOGIES, LLC AND SHOULD NOT BE USED WITHOUT WRITTEN PERMISSION | | | | | | | | | |
| DIMENSION UNITS | | SCALE | | CURRENT REV DESC: ADDED ISO VIEWS | | | | | |
| mm | | 3:1 | | | | | | | |
| GENERAL TOLERANCES (UNLESS SPECIFIED) | | | | | | | | | |
| ANGULAR TOL ± 0.5° | | | | | | | | | |
| 4 PLACES ± | | EC NO: 689821 | | 2021/12/15 | | | | | |
| 3 PLACES ± | | DRWN: KSUTAR | | 2021/12/22 | | | | | |
| 2 PLACES ± 0.13 | | CHK'D: GJEEVANSURES | | 2022/02/14 | | | | | |
| 1 PLACE ± 0.25 | | APPR: HTHYAGARAJ | | | | | | | |
| 0 PLACES ± | | INITIAL REVISION: | | | | | | | |
| | | DRWN: KSUTAR | | 2021/09/23 | | | | | |
| | | APPR: HTHYAGARAJ | | 2021/11/08 | | | | | |
| DRAFT WHERE APPLICABLE MUST REMAIN WITHIN DIMENSIONS | | THIRD ANGLE PROJECTION | | DRAWING | | SERIES | | MATERIAL NUMBER | |
| | | D-SIZE | | 171088 | | SEE TABLE | | CUSTOMER | |
| | | | | GENERAL MARKET | | SHEET NUMBER | | 1 OF 4 | |

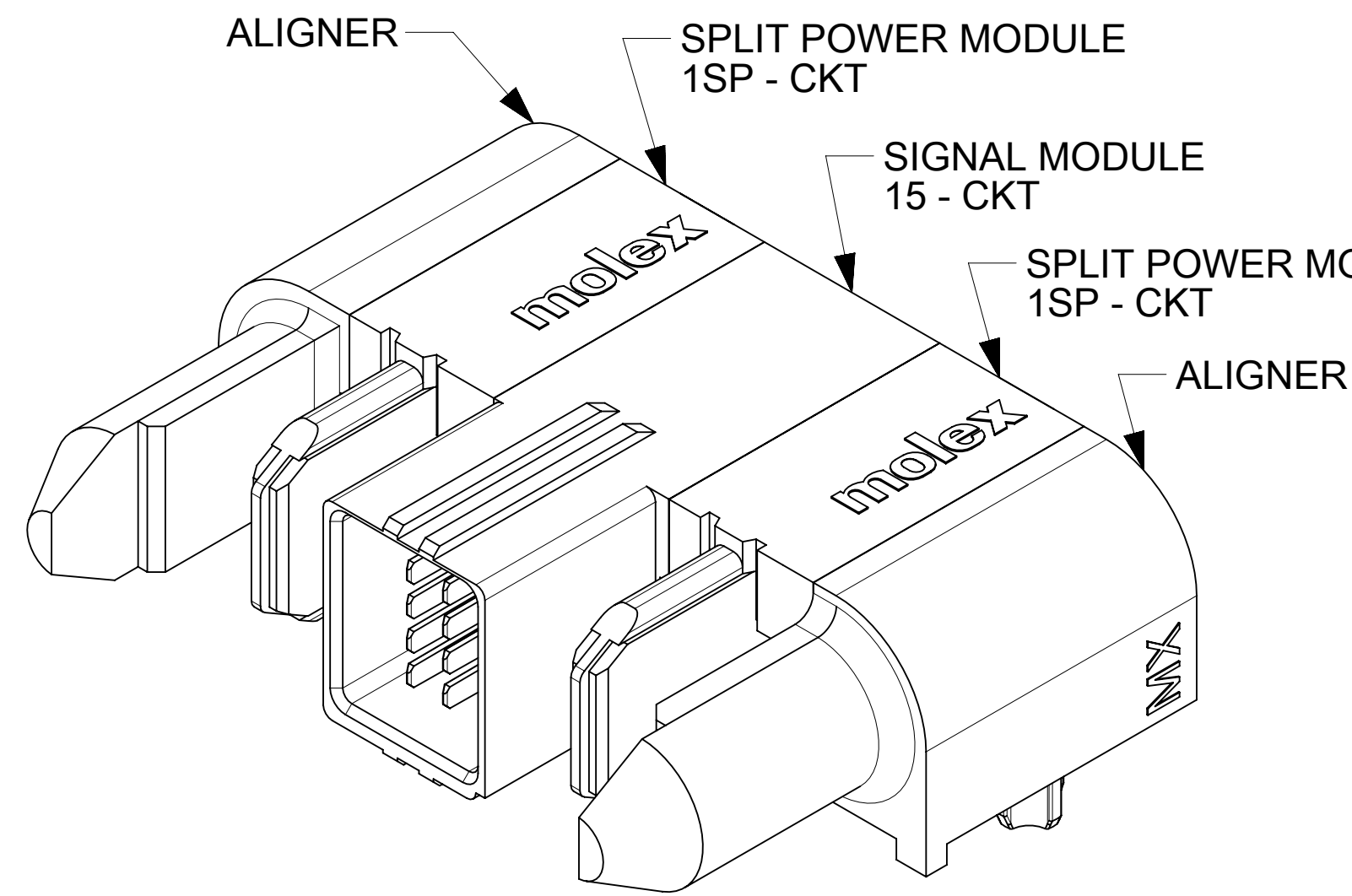


RECOMMENDED PCB LAYOUT AND KEEP-OUT ZONE FOR G-(1SP TO 5SP)-15S-(1SP TO 5SP)-G

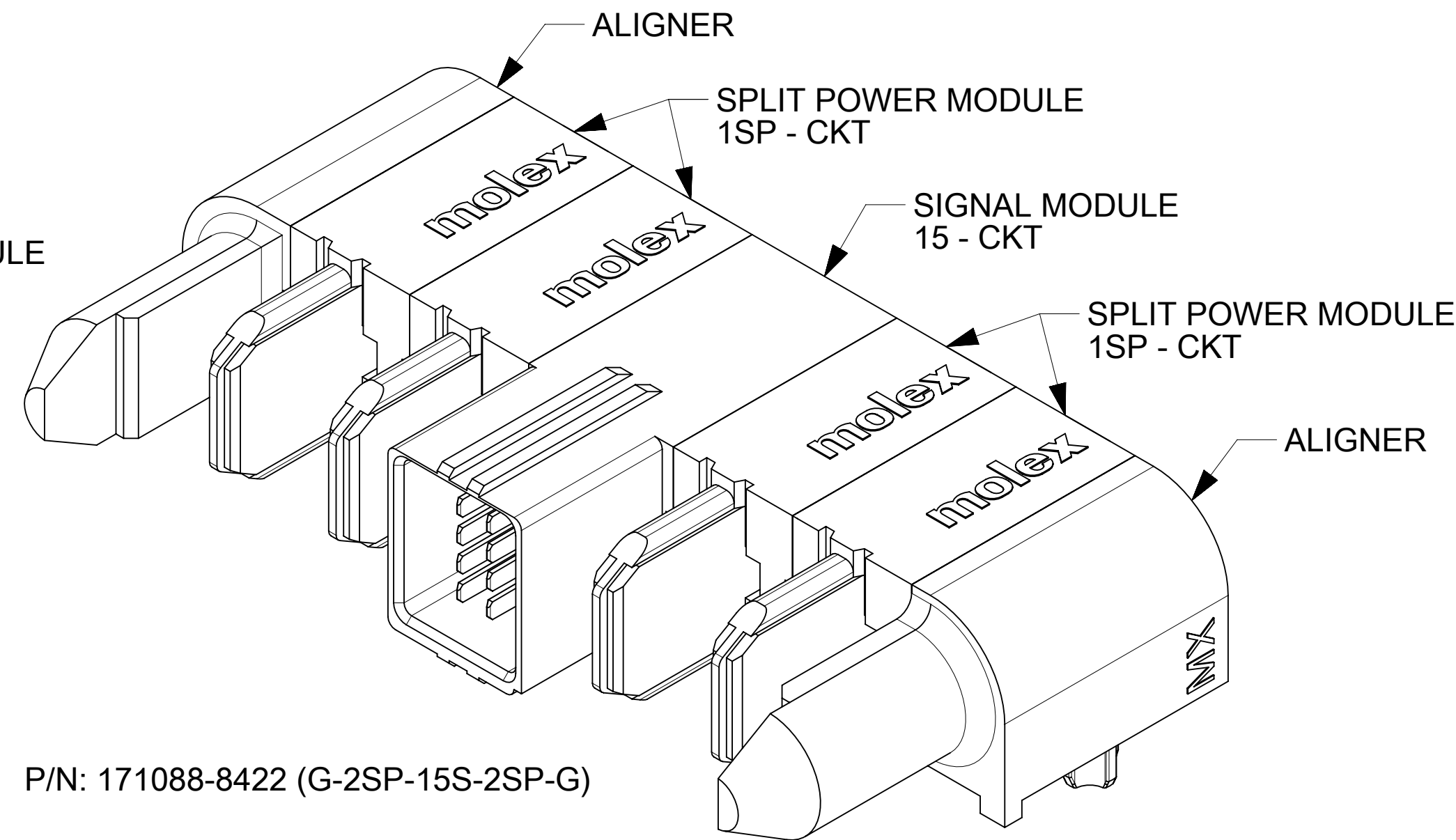
REFER TO BELOW TABLE FOR DIMENSIONS.

| FG P/N | CONFIGURATION | POWER CKT SIZE | SIGNAL CKT SIZE | DIM "A" (IN MM) | DIM "B" (IN MM) | DIM "C" (IN MM) | DIM "D" (IN MM) | DIM "X" (IN MM) | HOLES COUNT "H1" | HOLES COUNT "H2" | MATES WITH R/A ASSY P/N | MATES WITH VERT ASSY P/N |
|------------|-----------------|----------------|-----------------|-----------------|-----------------|-----------------|-----------------|-----------------|------------------|------------------|-------------------------|--------------------------|
| 1710888421 | G-1SP-15S-1SP-G | 1 | 15 | 39.21 | 40.21 | 9.14 | 17.71 | 26.71 | 20 | 15 | 1710908421 | 1710898421 |
| 1710888422 | G-2SP-15S-2SP-G | 2 | 15 | 55.21 | 56.21 | 17.14 | 25.71 | 42.71 | 40 | 15 | 1710908422 | 1710898422 |
| 1710888423 | G-3SP-15S-3SP-G | 3 | 15 | 71.21 | 72.21 | 25.14 | 33.71 | 58.71 | 60 | 15 | 1710908423 | 1710898423 |
| 1710888424 | G-4SP-15S-4SP-G | 4 | 15 | 87.21 | 88.21 | 33.14 | 41.71 | 74.71 | 80 | 15 | 1710908424 | 1710898424 |
| 1710888425 | G-5SP-15S-5SP-G | 5 | 15 | 103.21 | 104.21 | 41.14 | 49.71 | 90.71 | 100 | 15 | 1710908425 | 1710898425 |
| 1710888426 | G-1SP-30S-1SP-G | 1 | 30 | 45.21 | 46.21 | 9.14 | 23.71 | 32.71 | 20 | 30 | 1710908426 | 1710898426 |
| 1710888427 | G-2SP-30S-2SP-G | 2 | 30 | 61.21 | 62.21 | 17.14 | 31.71 | 48.71 | 40 | 30 | 1710908427 | 1710898427 |
| 1710888428 | G-3SP-30S-3SP-G | 3 | 30 | 77.21 | 78.21 | 25.14 | 39.71 | 64.71 | 60 | 30 | 1710908428 | 1710898428 |
| 1710888429 | G-4SP-30S-4SP-G | 4 | 30 | 93.21 | 94.21 | 33.14 | 47.71 | 80.71 | 80 | 30 | 1710908429 | 1710898429 |
| 1710888430 | G-5SP-30S-5SP-G | 5 | 30 | 109.21 | 110.21 | 41.14 | 55.71 | 96.71 | 100 | 30 | 1710908430 | 1710898430 |

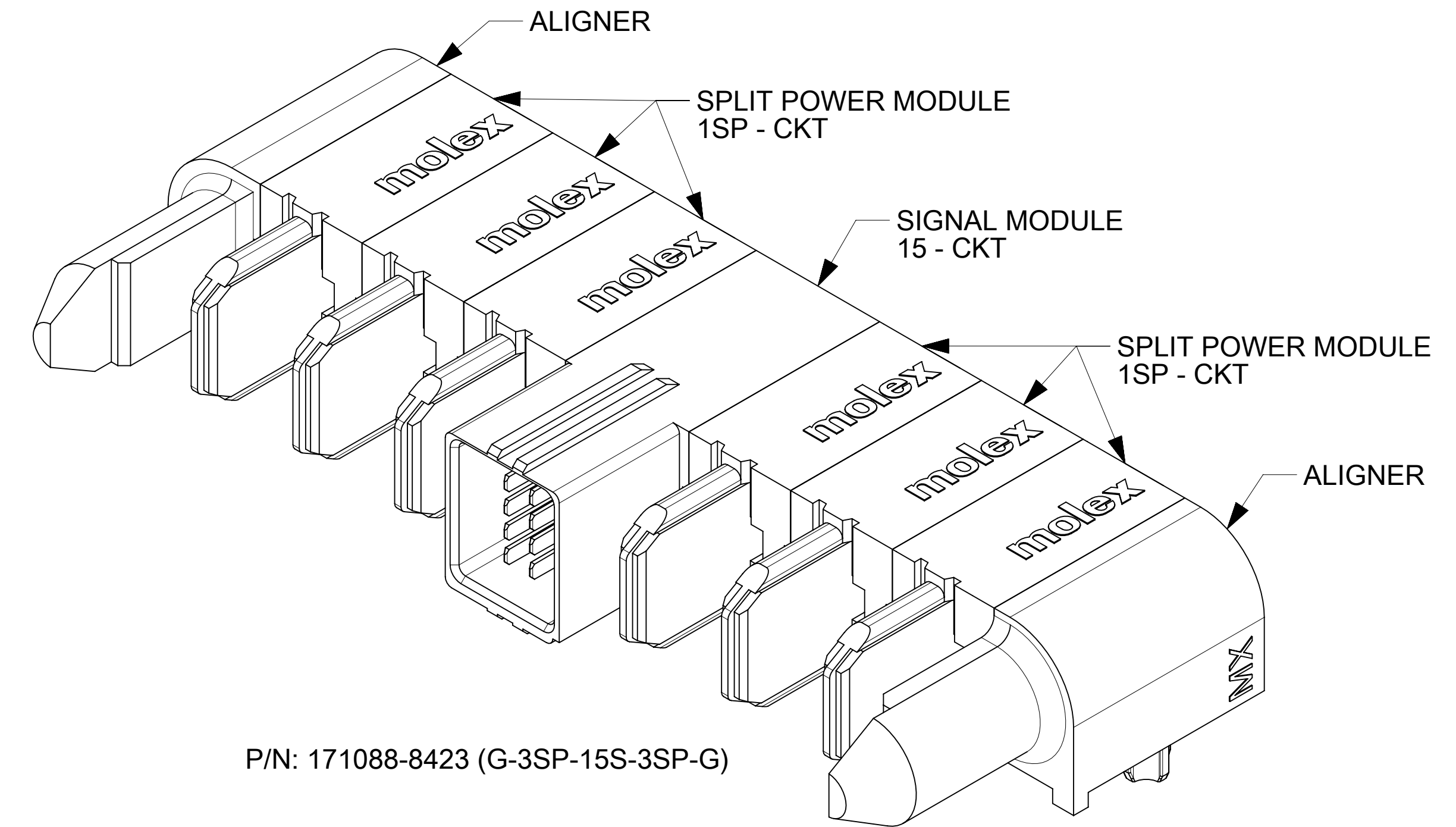
| | | | | | | | | | | | |
|---|--|---------------------|--|--|--|--|--|-------------------------|--|--|--|
| THIS DRAWING CONTAINS INFORMATION THAT IS PROPRIETARY TO MOLEX ELECTRONIC TECHNOLOGIES, LLC AND SHOULD NOT BE USED WITHOUT WRITTEN PERMISSION | | | | | | | | | | | |
| DIMENSION UNITS mm | | SCALE 3:1 | | CURRENT REV DESC: ADDED ISO VIEWS | | | | | | | |
| GENERAL TOLERANCES (UNLESS SPECIFIED) | | | | G-*SP-*S-*SP-G R/A PLUG ASSY - TEN60 SPLIT POWER PRODUCT CUSTOMER DRAWING | | | | | | | |
| ANGULAR TOL ± 0.5° | | | | | | | | | | | |
| 4 PLACES ± | | | | | | | | | | | |
| 3 PLACES ± | | | | | | | | | | | |
| 2 PLACES ± 0.13 | | | | | | | | | | | |
| 1 PLACE ± 0.25 | | | | | | | | | | | |
| 0 PLACES ± | | | | EC NO: 689821 | | | | DRWN: KSUTAR 2021/12/15 | | | |
| DRAFT WHERE APPLICABLE MUST REMAIN WITHIN DIMENSIONS | | | | THIRD ANGLE PROJECTION | | | | DRAWING | | | |
| SERIES | | | | MATERIAL NUMBER | | | | CUSTOMER | | | |
| D-SIZE 171088 | | | | 171088 | | | | GENERAL MARKET | | | |
| DOCUMENT NUMBER | | | | DOC TYPE | | | | DOC PART | | | |
| 1710888430 | | | | PSD | | | | 000 A1 | | | |
| REVISION | | | | SHEET NUMBER | | | | 2 OF 4 | | | |



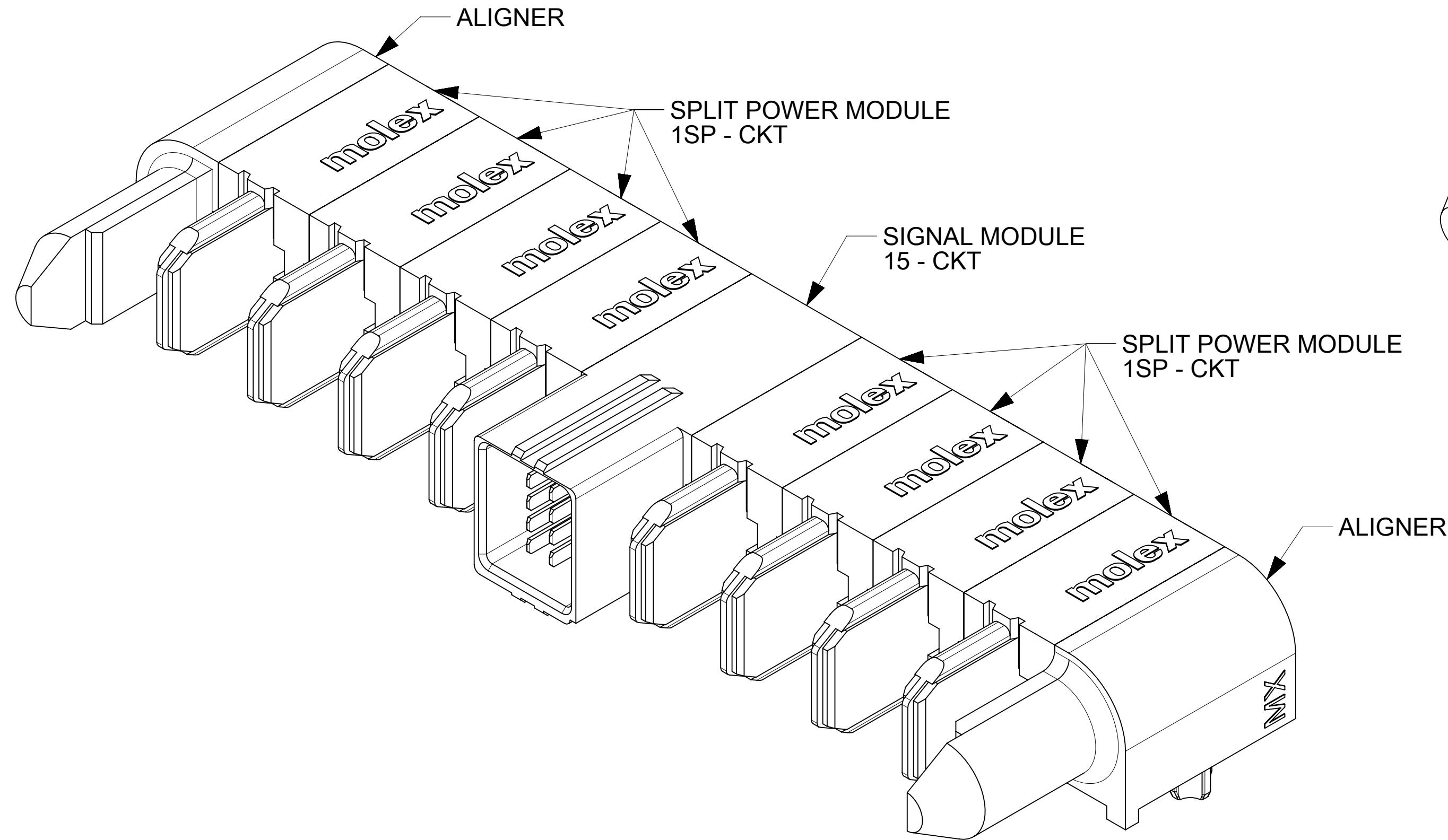
P/N: 171088-8421 (G-1SP-15S-1SP-G)



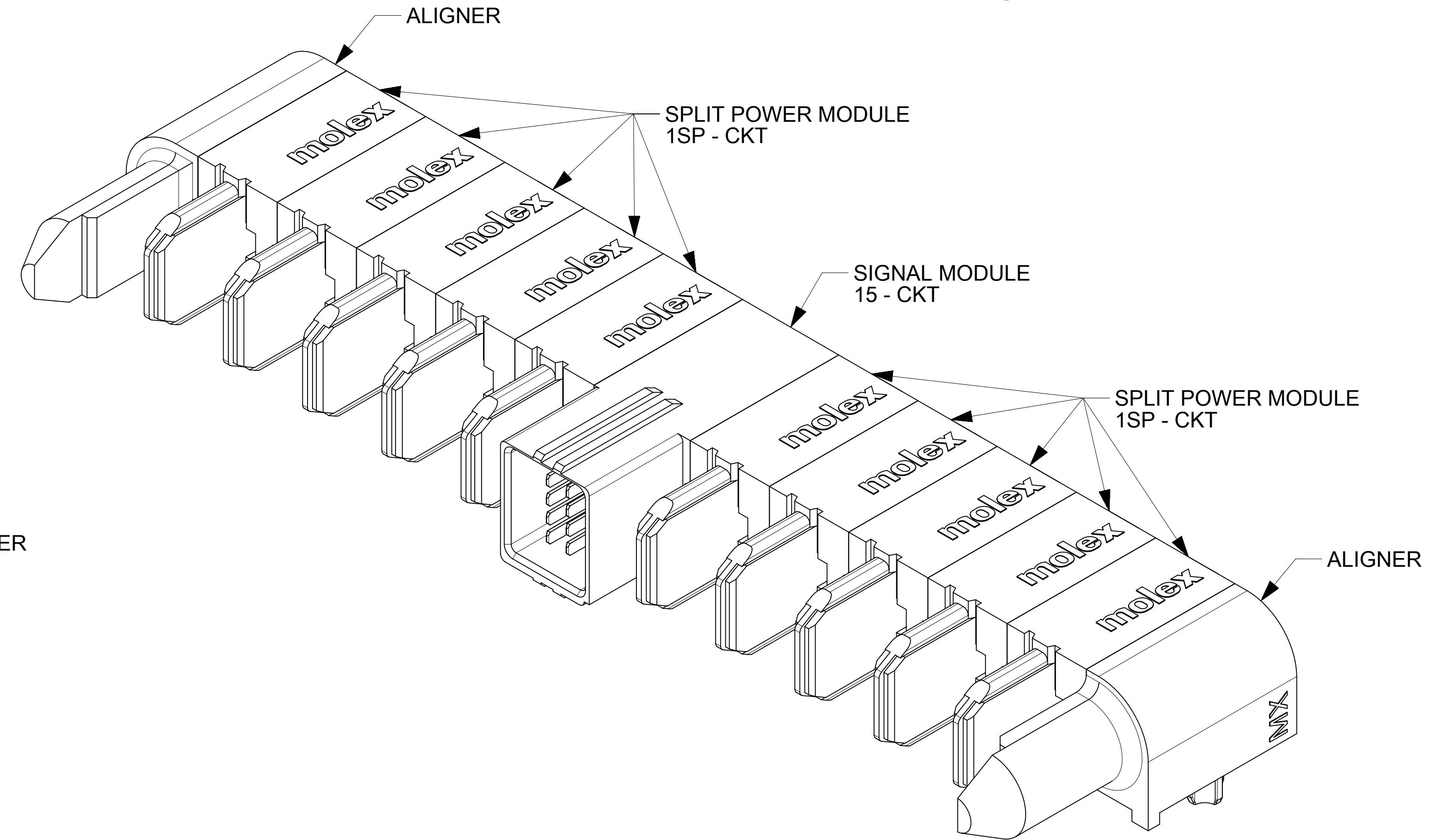
P/N: 171088-8422 (G-2SP-15S-2SP-G)



P/N: 171088-8423 (G-3SP-15S-3SP-G)

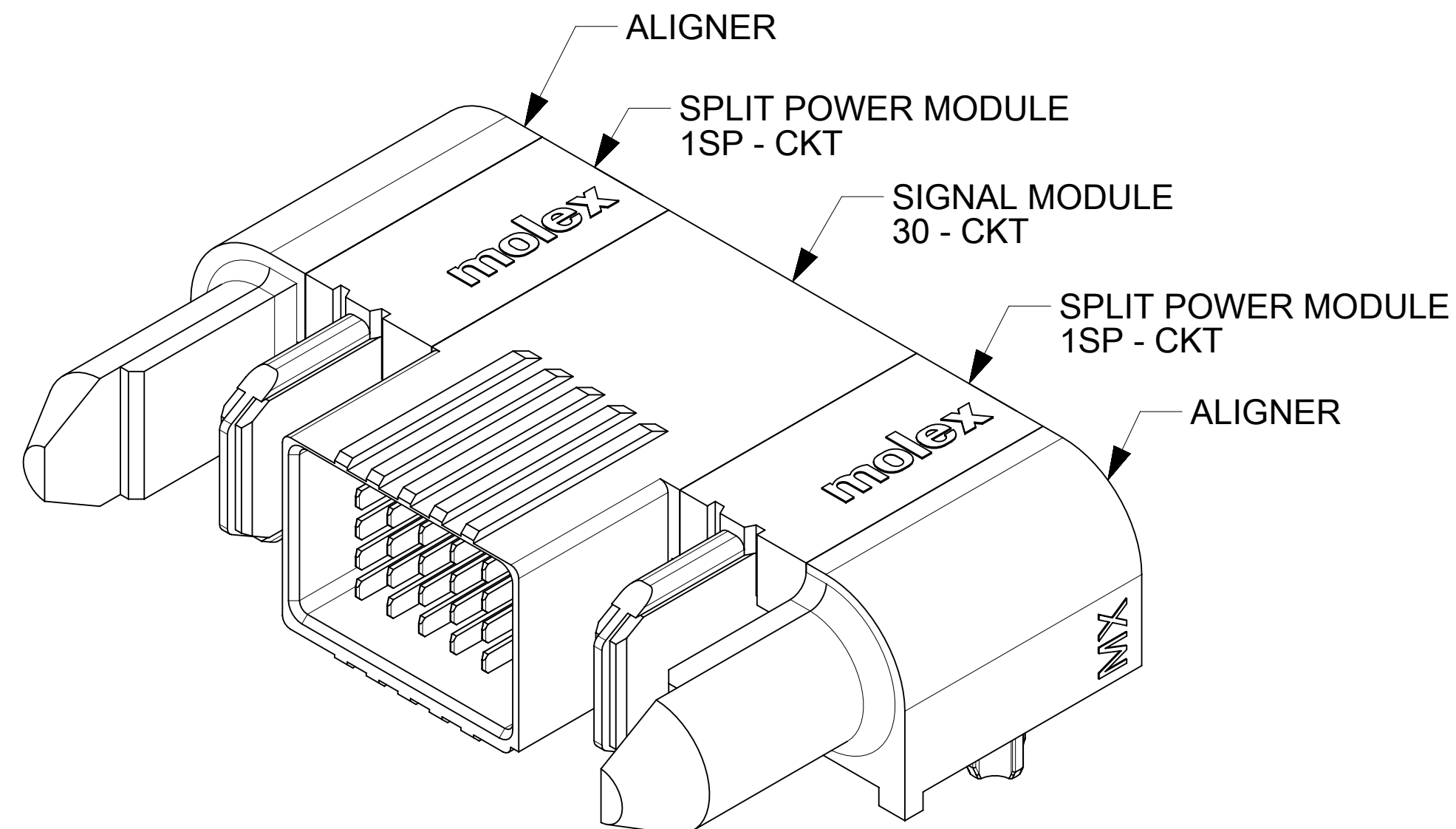


P/N: 171088-8424 (G-4SP-15S-4SP-G)

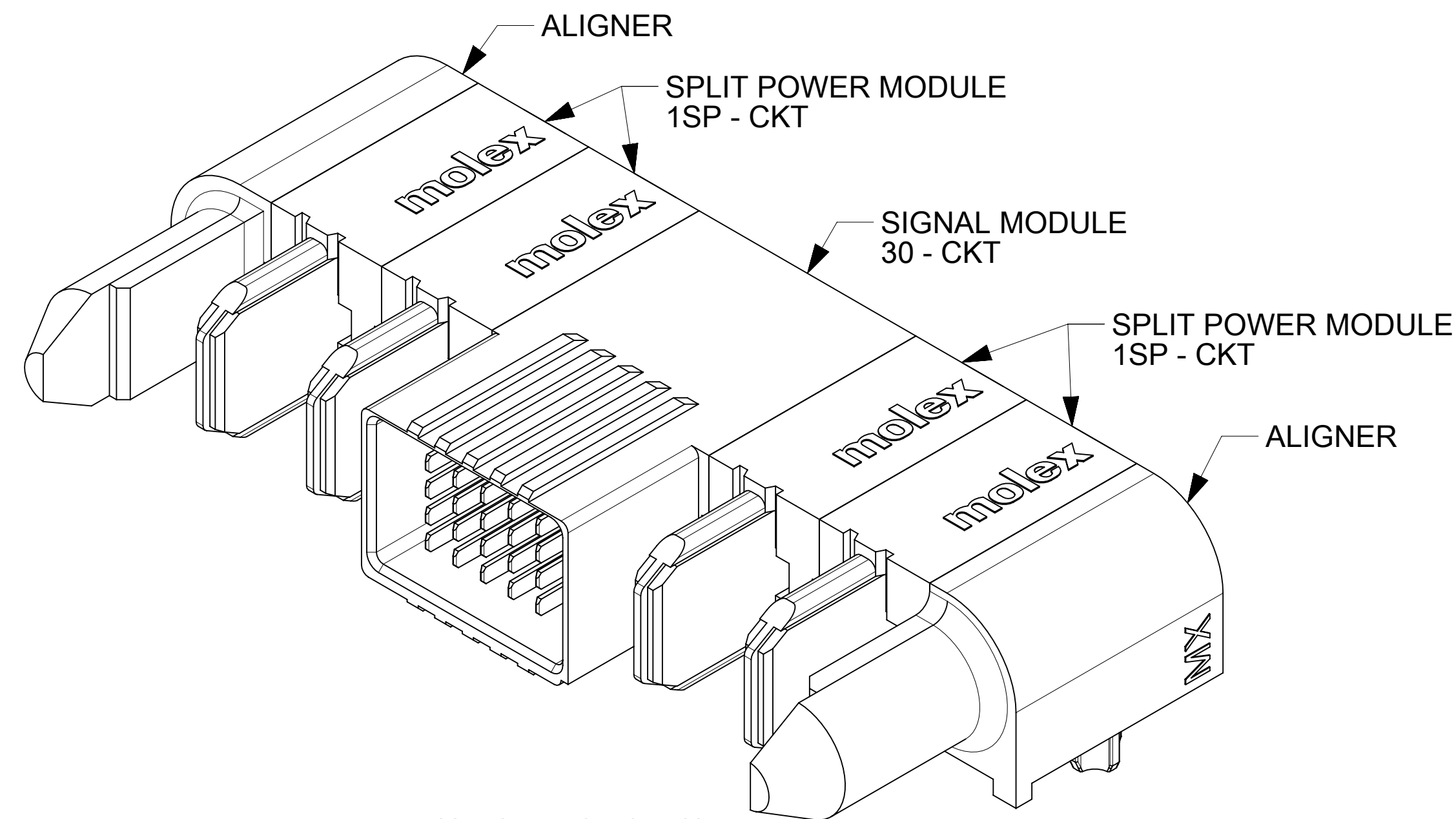


P/N: 171088-8425 (G-5SP-15S-5SP-G)

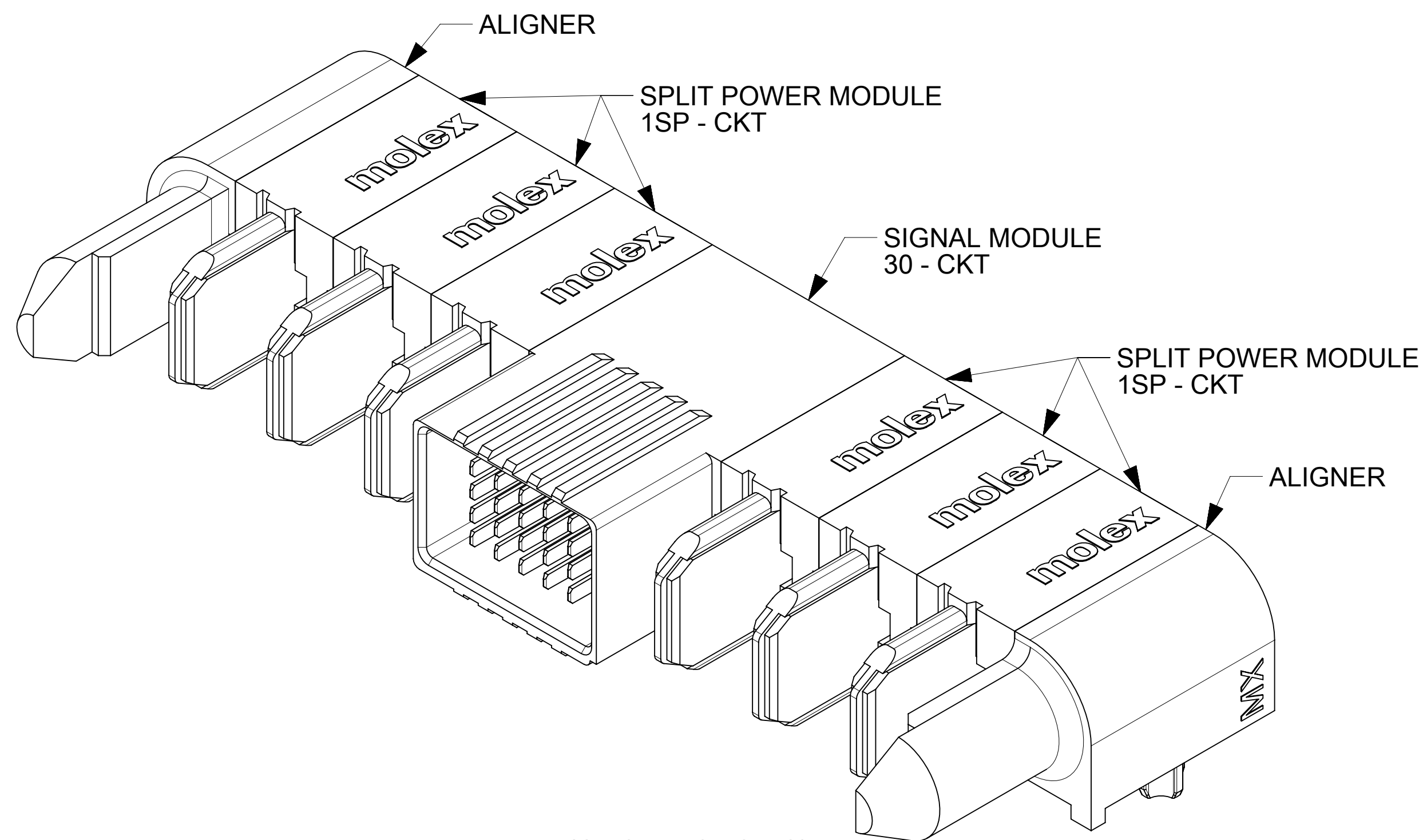
| | | | | | | | | | |
|---|--|-------------------------------|--|-----------------------------------|--|------------|--|----------|--|
| THIS DRAWING CONTAINS INFORMATION THAT IS PROPRIETARY TO MOLEX ELECTRONIC TECHNOLOGIES, LLC AND SHOULD NOT BE USED WITHOUT WRITTEN PERMISSION | | | | | | | | | |
| DIMENSION UNITS | | SCALE | | CURRENT REV DESC: ADDED ISO VIEWS | | | | | |
| mm | | 4:1 | | | | | | | |
| GENERAL TOLERANCES (UNLESS SPECIFIED) | | | | | | | | | |
| ANGULAR TOL | | ± 0.5° | | | | | | | |
| 4 PLACES | | ± | | EC NO: 689821 | | | | | |
| 3 PLACES | | ± | | DRWN: KSUTAR | | 2021/12/15 | | | |
| 2 PLACES | | ± 0.13 | | CHK'D: GJEEVANSURES | | 2021/12/22 | | | |
| 1 PLACE | | ± 0.25 | | APPR: HTHYAGARAJ | | 2022/02/14 | | | |
| 0 PLACES | | ± | | INITIAL REVISION: | | | | | |
| DRAFT WHERE APPLICABLE | | MUST REMAIN WITHIN DIMENSIONS | | DRWN: KSUTAR | | 2021/09/23 | | | |
| | | | | APPR: HTHYAGARAJ | | 2021/11/08 | | | |
| THIRD ANGLE PROJECTION | | DRAWING | | SERIES | | | | | |
| D | | D-SIZE | | 171088 | | | | | |
| MATERIAL NUMBER | | CUSTOMER | | DOCUMENT NUMBER | | DOC TYPE | | REVISION | |
| SEE TABLE | | GENERAL MARKET | | 1710888430 | | PSD | | 000 A1 | |
| SHEET NUMBER | | | | | | | | 3 OF 4 | |



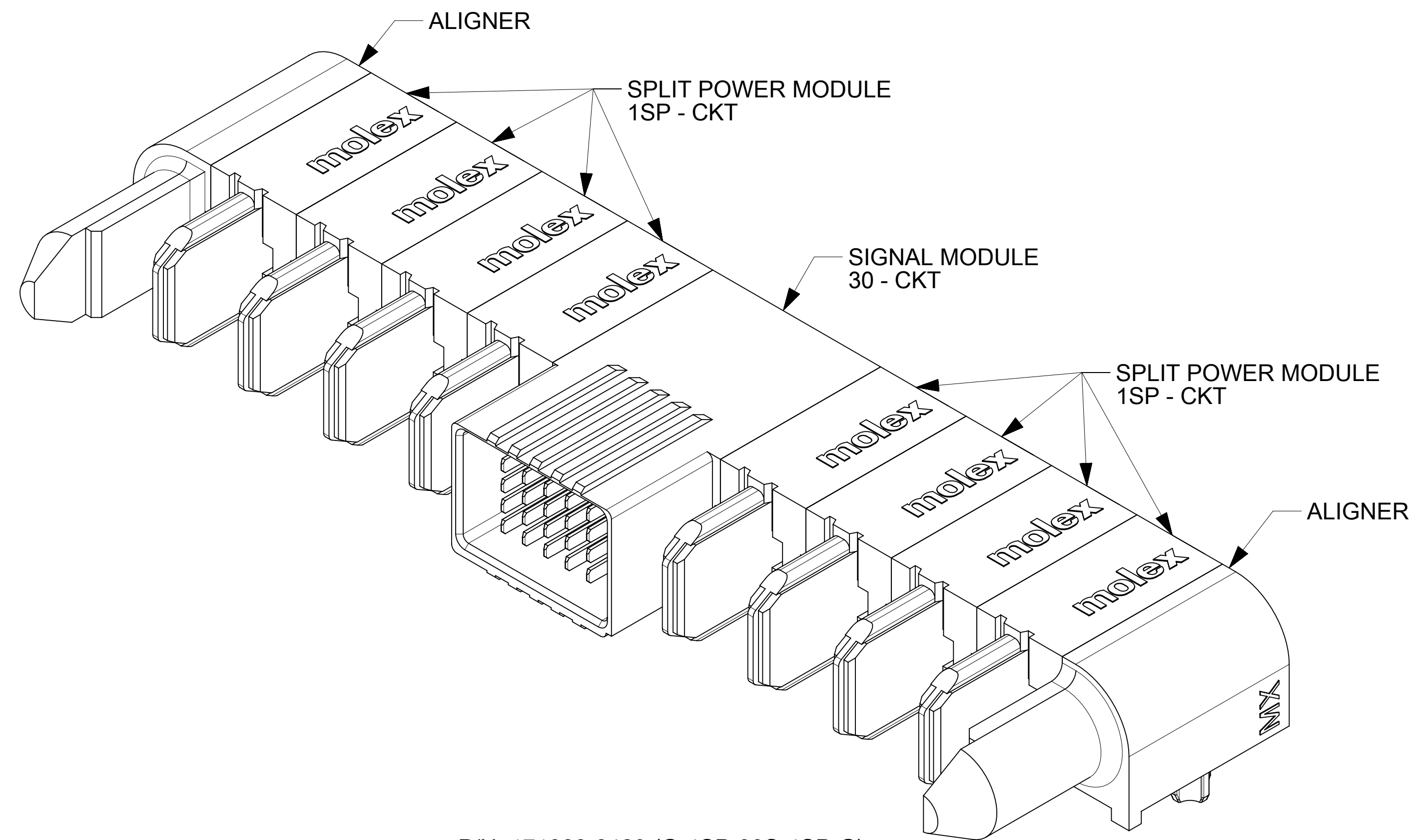
P/N: 171088-8426 (G-1SP-30S-1SP-G)



P/N: 171088-8427 (G-2SP-30S-2SP-G)



P/N: 171088-8428 (G-3SP-30S-3SP-G)



P/N: 171088-8429 (G-4SP-30S-4SP-G)

| | | | | | | | | | | | |
|---|--|-------|--|-----------------------------------|--|---------|--|----------------|--|-----------------|--|
| THIS DRAWING CONTAINS INFORMATION THAT IS PROPRIETARY TO MOLEX ELECTRONIC TECHNOLOGIES, LLC AND SHOULD NOT BE USED WITHOUT WRITTEN PERMISSION | | | | | | | | | | | |
| DIMENSION UNITS | | SCALE | | CURRENT REV DESC: ADDED ISO VIEWS | | | | | | | |
| mm | | 4:1 | | | | | | | | | |
| GENERAL TOLERANCES (UNLESS SPECIFIED) | | | | | | | | | | | |
| ANGULAR TOL ± 0.5° | | | | | | | | | | | |
| 4 PLACES ± | | | | EC NO: 689821 | | | | | | | |
| 3 PLACES ± | | | | DRWN: KSUTAR 2021/12/15 | | | | | | | |
| 2 PLACES ± 0.13 | | | | CHK'D: GJEEVANSURES 2021/12/22 | | | | | | | |
| 1 PLACE ± 0.25 | | | | APPR: HTHYAGARAJ 2022/02/14 | | | | | | | |
| 0 PLACES ± | | | | INITIAL REVISION: | | | | | | | |
| | | | | DRWN: KSUTAR 2021/09/23 | | | | | | | |
| | | | | APPR: HTHYAGARAJ 2021/11/08 | | | | | | | |
| DRAFT WHERE APPLICABLE MUST REMAIN WITHIN DIMENSIONS | | | | THIRD ANGLE PROJECTION | | DRAWING | | SERIES | | MATERIAL NUMBER | |
| | | | | | | D-SIZE | | 171088 | | SEE TABLE | |
| | | | | | | | | GENERAL MARKET | | SHEET NUMBER | |
| | | | | | | | | GENERAL MARKET | | 4 OF 4 | |

molex

G-*SP-*S-*SP-G
R/A PLUG ASSY - TEN60 SPLIT POWER

PRODUCT CUSTOMER DRAWING

| | | | |
|-----------------|----------|----------|----------|
| DOCUMENT NUMBER | DOC TYPE | DOC PART | REVISION |
| 1710888430 | PSD | 000 | A1 |