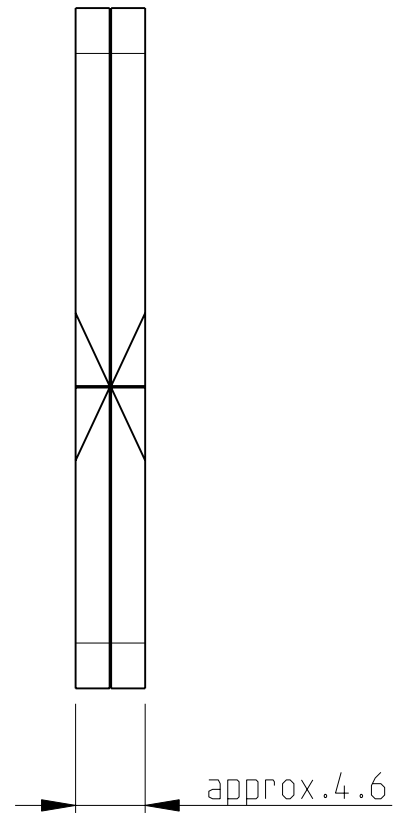
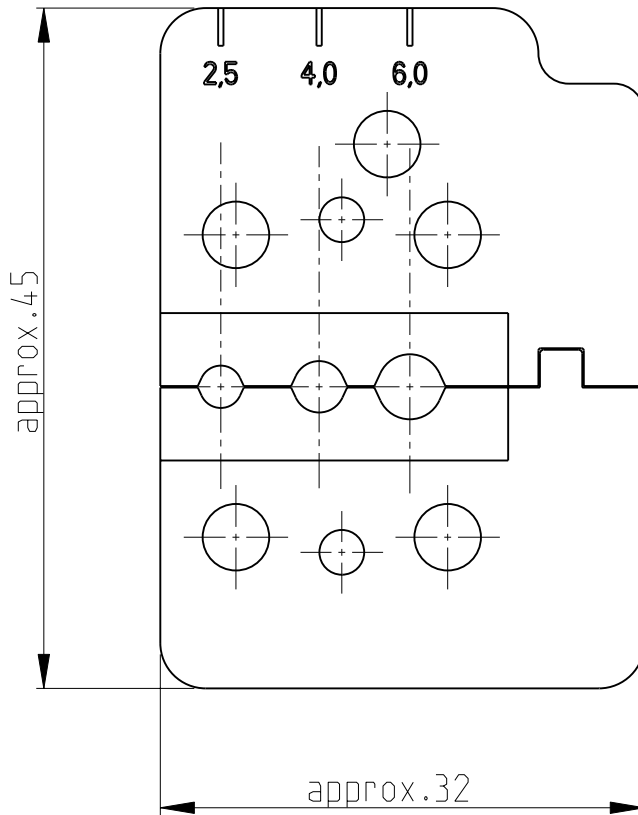


LOC	DIST	REVISIONS				
P	LTR	DESCRIPTION	DATE	DWN	APVD	
A1	-					
	A	Initial release	28MAR2006	wi	wi	
	A1	ECR-10-013114	22JUN2010	wi	wi	
	B	ECR-11-006379	29MAR2011	RG	LB	

# STRIPPING BLADES SET FOR HAND TOOL 4-1579002-2

Stripping of SOLARLOK cables, wire range 2,5-4,0-6,0 mm<sup>2</sup>




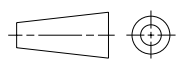
2011

RELEASED FOR PUBLICATION

ALL RIGHTS RESERVED.

THIS DRAWING IS UNPUBLISHED.

© COPYRIGHT 2011

DIMENSIONS: mm		DWN Ch.Witt	28MAR2006	MATERIAL -	FINISH -
TOLERANCES UNLESS OTHERWISE SPECIFIED:		CHK -		 TE Connectivity	
0 PLC ±		APVD -			
1 PLC ±		PRODUCT SPEC -		NAME STRIPPING BLADES Abisoliermesser	
2 PLC ±		APPLICATION SPEC -			
3 PLC ±		WEIGHT -		SIZE A 4	CAGE CODE 00779
4 PLC ±				DRAWING NO C-1579006-7	RESTRICTED TO -
ANGLES ±°					
		CUSTOMER DRAWING		SCALE 2:1	SHEET 1 OF 1
				REV B	