

THIS DRAWING IS UNPUBLISHED.

RELEASED FOR PUBLICATION

20

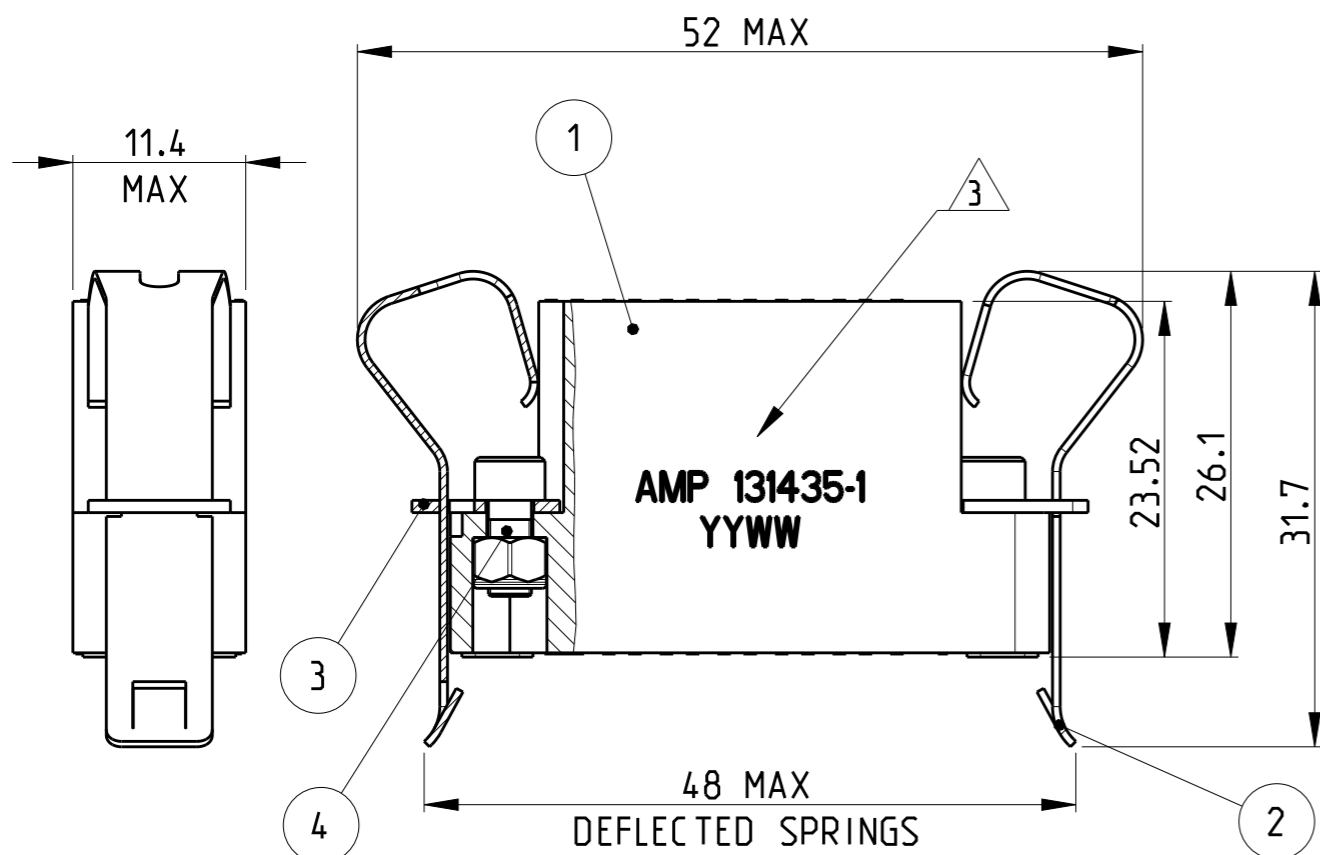
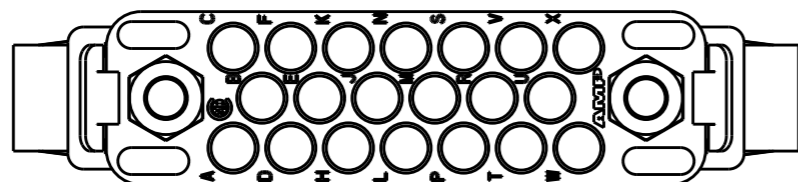
© COPYRIGHT 20 BY -

ALL RIGHTS RESERVED.

LOC F DIST 00

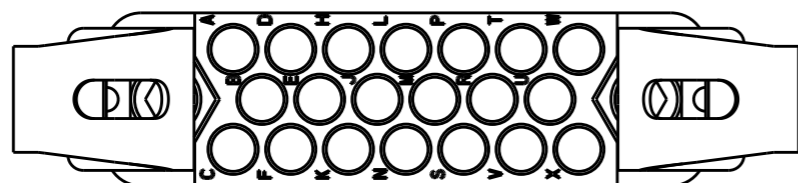
REVISIONS

P	LTR	DESCRIPTION	DATE	DWN	APVD
B		REDRAWN ON CAD WITHOUT PRODUCT CHANGE	11OCT2012	TC	YP
C		ADDED NOTE 1	22MAR2019	LN	YP



- 1. MATES TO 130732-1.
- 2. MATERIAL:
HOUSING: PHENOLIC, COLOR BLACK
CONTACTS: BRASS, GOLD PLATED
- 3. MARKING:
AMP, PART NUMBER (131435-1)
DATE-CODE (YEAR, WEEK)

-	20	-	200333-1	IN A SEPARATE BAG	SOCKET CONTACT #16 (AWG 18-16)	-
20	-	-	130743-1	IN A SEPARATE BAG	SOCKET CONTACT #16 (AWG 22-18)	-
1	1	-	131435-1	WITHOUT CONTACT	GROUNDING CONNECTOR	-
-	-	2	-	CONNECTOR SUPPLIED ASSEMBLED	FASTENER	4
-	-	2	-		YOKE	3
-	-	2	-		SPRING	2
-	-	1	-		HOUSING 20 POS.	1
131435-3	131435-2	131435-1	PART NUMBER		OBSERVATION	DESCRIPTION



THIS DRAWING IS A CONTROLLED DOCUMENT.

DIMENSIONS:	TOLERANCES UNLESS OTHERWISE SPECIFIED:
mm	
	0 PLC ±0.3
	1 PLC ±0.3
	2 PLC ±0.3
	3 PLC ±
	4 PLC ±
	ANGLES ±5°
MATERIAL	FINISH
-	-

DWN T. CORRIOU	20SEP2012
CHK J. THUEZ	20SEP2012
APVD Y. PETRONIN	20SEP2012
PRODUCT SPEC	-
APPLICATION SPEC	-
WEIGHT	-
Customer Drawing	

		NAME		CONNECTOR, GROUNDING, 20 POS.	
		SIZE		RESTRICTED TO	
CAGE CODE		DRAWING NO		SCALE	
A3 00779		C-131435		2:1	
SHEET		OF		REV	
1		1		C	