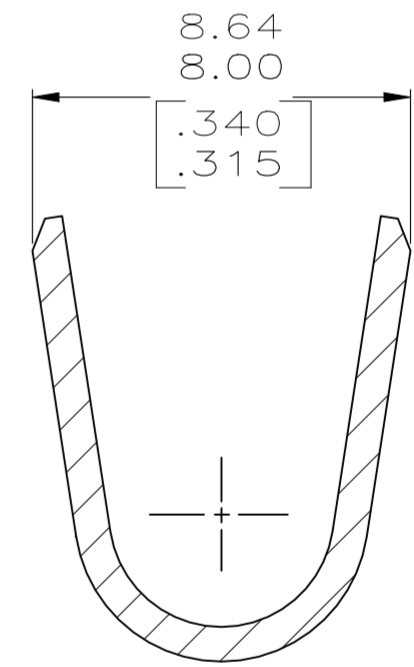
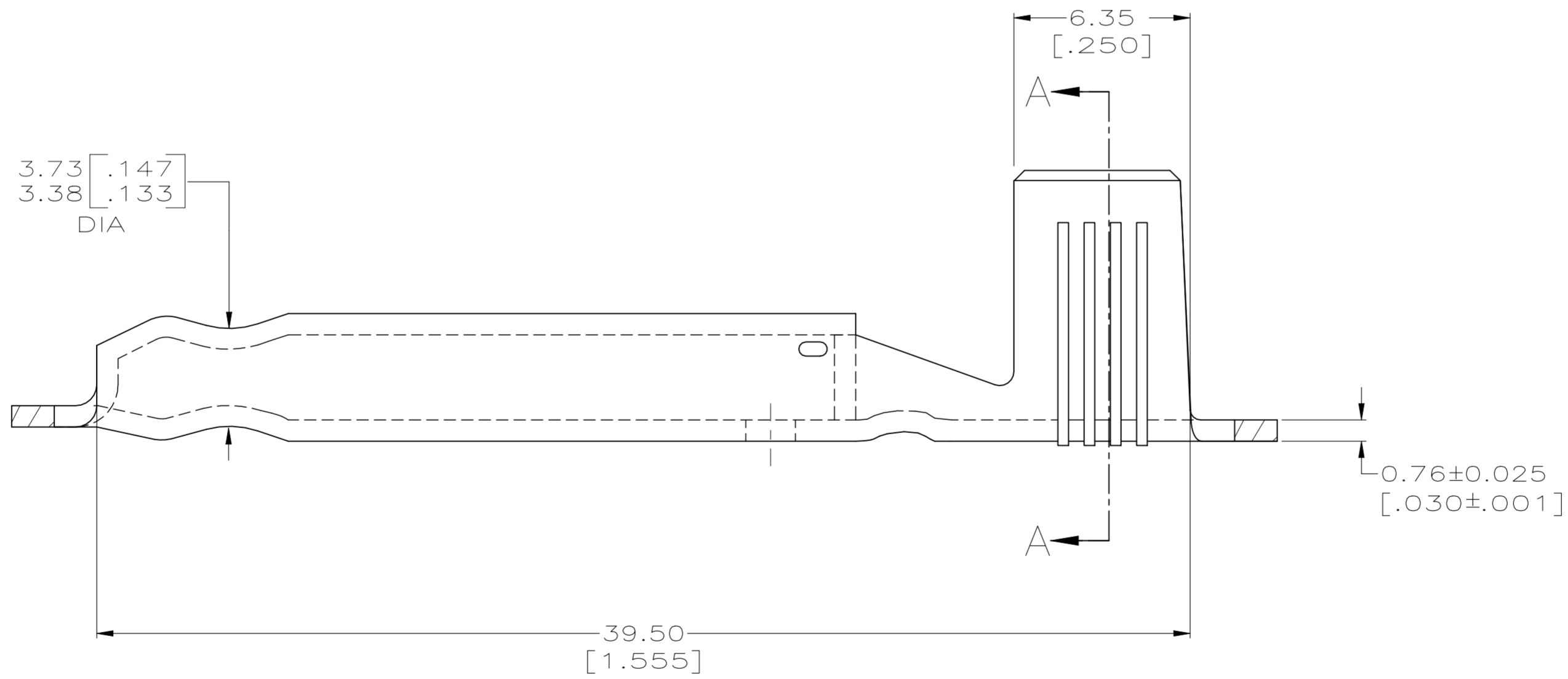
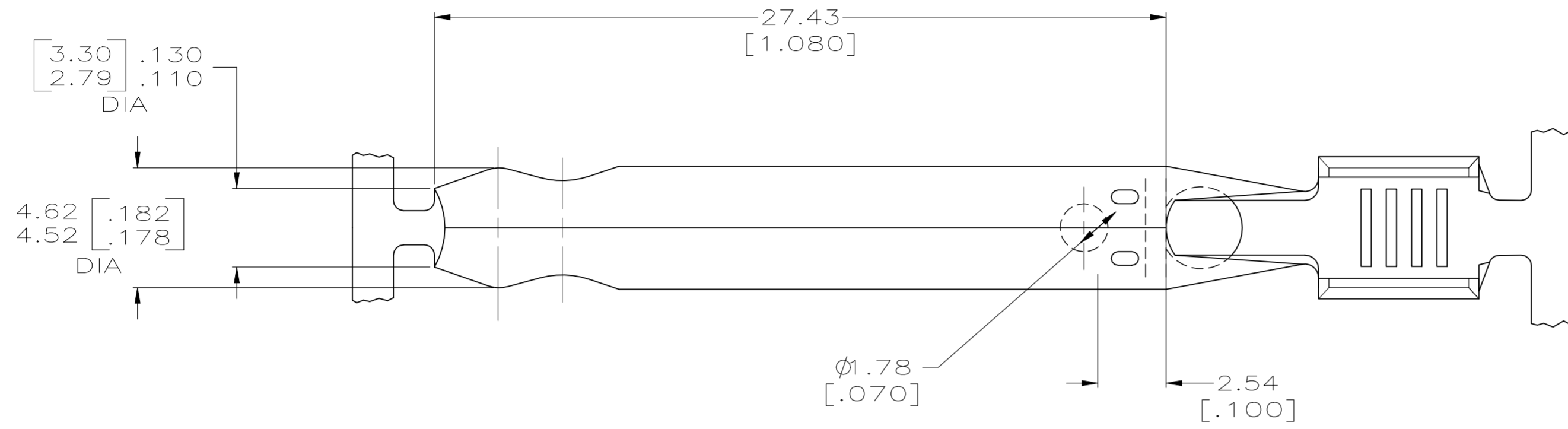


THIS DRAWING IS UNPUBLISHED. RELEASED FOR PUBLICATION .19
 © COPYRIGHT 19 BY AMP INCORPORATED. ALL RIGHTS RESERVED.

LOC	DIST	REVISIONS			
P	LTR	DESCRIPTION	DATE	DWN	APVD
AF	50	D	REVISED PER ECN-22-178027	10OCT2022	DB EW

1 CONTINUOUS STRIP ON REEL.



SECTION A-A

TWO #8'S AWG	1217185-1
WIRE RANGE	PART NUMBER

THIS DRAWING IS A CONTROLLED DOCUMENT.		DWN MICHAEL S. FEHER 04MAY1999	STE TE CONNECTIVITY		
DIMENSIONS: mm [INCHES]		CHK JEFF R. RUTH 05MAY1999			
TOLERANCES UNLESS OTHERWISE SPECIFIED:		APVD DONALD DECKER 05MAY1999	NAME RECEPTACLE, PLUG, 4.57 [.180] DIA		
0 PLC ±- 1 PLC ±- 2 PLC ±0.25[.010] 3 PLC ±- 4 PLC ±- ANGLES ±-		PRODUCT SPEC -	SIZE A2	CAGE CODE 00779	DRAWING NO 1217185
MATERIAL 081 BRASS		FINISH 0.002032[.000080] MIN TIN PLATE	WEIGHT -	SCALE 6:1	SHEET 1 OF 1
CUSTOMER DRAWING			RESTRICTED TO -	REV D	