

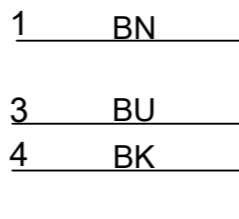
NOTES:

ELECTRICAL - VOLTAGE: 250V  
CURRENT: 4A

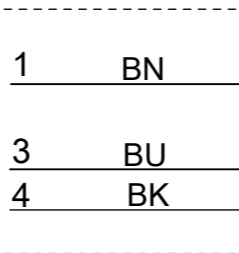
TEMPERATURE RATING: -25°C TO +80°C  
PROTECTION: IP67 (WHEN MATED)  
CSA CERTIFIED FILE: LR6837

WIRING DIAGRAM

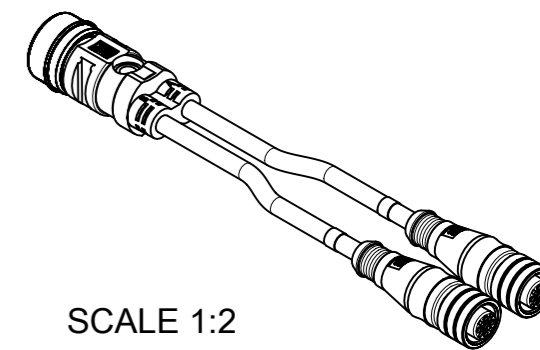
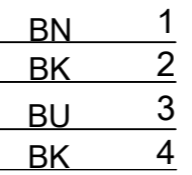
B SIDE  
FEMALE M12



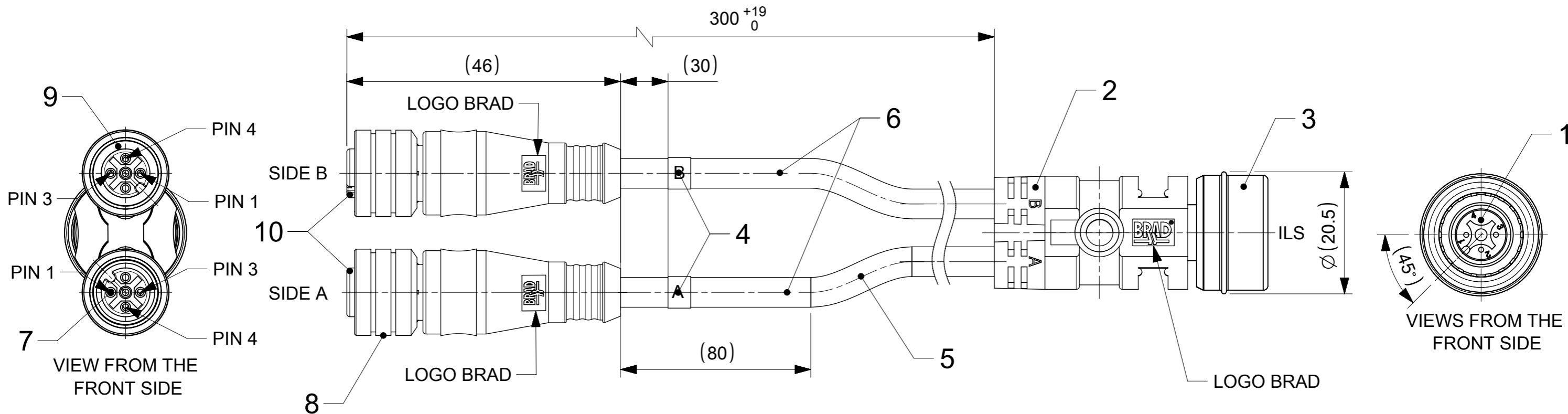
A SIDE  
FEMALE M12



ILS  
MALE M12



SCALE 1:2



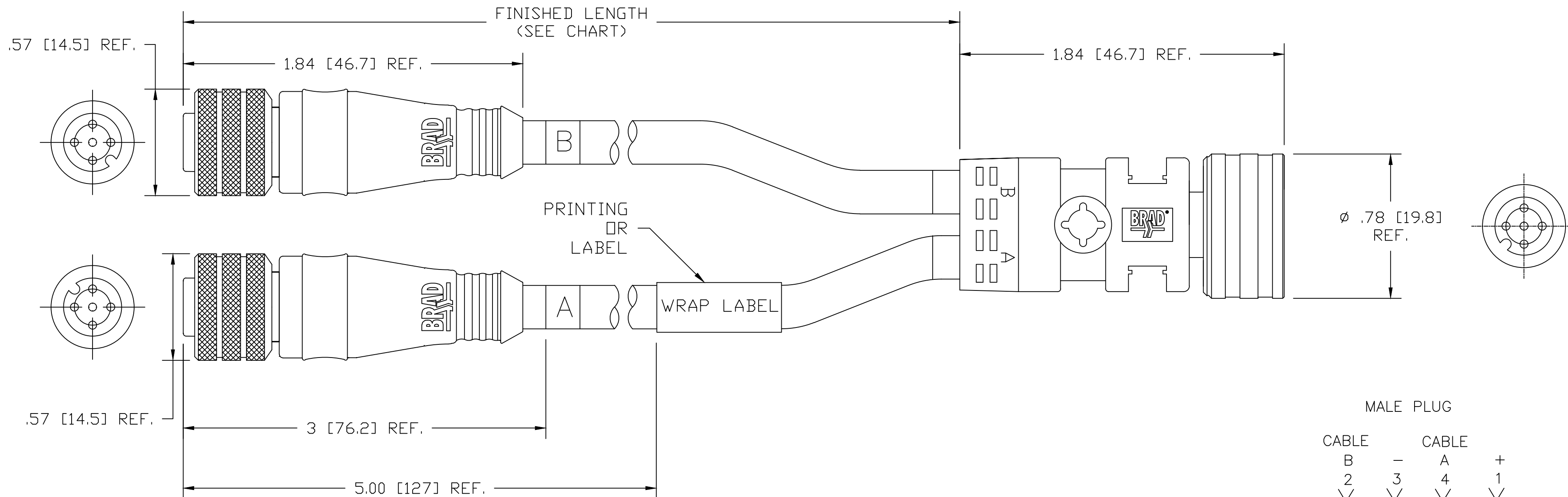
BOM

ITEM	QTY.	DESCRIPTION	MATERIAL	COLOR/FINISH
10	2	FEMALE INSERT	TPU	BLACK
9	2	O-RING	FPM	RED
8	2	COUPLING NUT FEMALE	BRASS	Ni-PLATED
7	6	CONTACT FEMALE	BRASS	Au OVER Ni-PLATED
6	-	CABLE LSOH	PUR	BLACK
5	1	LABEL	VINYL	YELLOW
4	1	LABEL A & B	-	-
3	1	MIC 4P MALE ULTRA-LOCK ASSEMBLY	-	-
2	-	ILS OVERMOULD	TPC	YELLOW
1	1	CONTACT MALE	BRASS	Au OVER Ni-PLATED

MOLEX P/N	ENG No.
1200828004	8W4A30H09M003

FUNCTIONAL SYMBOLS	THIS DRAWING CONTAINS INFORMATION THAT IS PROPRIETARY TO MOLEX ELECTRONIC TECHNOLOGIES, LLC AND SHOULD NOT BE USED WITHOUT WRITTEN PERMISSION	CURRENT REV DESC:		<b>molex</b>																																														
	<table border="1"> <tr> <th>FUNCTIONAL SYMBOLS</th> <th>DIMENSION UNITS</th> <th>SCALE</th> </tr> <tr> <td><math>\nabla_A = 0</math></td> <td>mm</td> <td>3:2</td> </tr> <tr> <td><math>\nabla_E = 0</math></td> <td colspan="2">GENERAL TOLERANCES (UNLESS SPECIFIED)</td> </tr> <tr> <td><math>\nabla_V = 0</math></td> <td colspan="2">ANGULAR TOL ± °</td> </tr> <tr> <td rowspan="5">DIVISIONAL SYMBOLS</td> <td>4 PLACES ±</td> <td>EC NO: 703538</td> <td rowspan="5">                 ILS.UL-4P-M/2XFE-ST-0.3M-LSOH                  PRODUCT CUSTOMER DRAWING             </td> </tr> <tr> <td>3 PLACES ±</td> <td>DRWN: SSM</td> <td>2022/03/23</td> </tr> <tr> <td>2 PLACES ±</td> <td>CHK'D: RSILLER</td> <td>2022/04/22</td> </tr> <tr> <td>1 PLACE ±</td> <td>APPR: RSILLER</td> <td>2022/04/22</td> </tr> <tr> <td>0 PLACES ±</td> <td>INITIAL REVISION:</td> <td></td> </tr> <tr> <td colspan="2">DRAFT WHERE APPLICABLE MUST REMAIN WITHIN DIMENSIONS</td> <td>THIRD ANGLE PROJECTION</td> <td>DRAWING</td> <td>SERIES</td> <td>MATERIAL NUMBER</td> <td>CUSTOMER</td> <td>DOCUMENT NUMBER</td> <td>DOC TYPE</td> <td>DOC PART</td> <td>REVISION</td> </tr> <tr> <td colspan="2"></td> <td></td> <td>A3-SIZE</td> <td>120082</td> <td>1200828004</td> <td>GENERAL MARKET</td> <td>1200828004</td> <td>PSD</td> <td>000</td> <td>A</td> </tr> </table>	FUNCTIONAL SYMBOLS	DIMENSION UNITS		SCALE	$\nabla_A = 0$	mm	3:2	$\nabla_E = 0$	GENERAL TOLERANCES (UNLESS SPECIFIED)		$\nabla_V = 0$	ANGULAR TOL ± °		DIVISIONAL SYMBOLS	4 PLACES ±	EC NO: 703538	ILS.UL-4P-M/2XFE-ST-0.3M-LSOH PRODUCT CUSTOMER DRAWING	3 PLACES ±	DRWN: SSM	2022/03/23	2 PLACES ±	CHK'D: RSILLER	2022/04/22	1 PLACE ±	APPR: RSILLER	2022/04/22	0 PLACES ±	INITIAL REVISION:		DRAFT WHERE APPLICABLE MUST REMAIN WITHIN DIMENSIONS		THIRD ANGLE PROJECTION	DRAWING	SERIES	MATERIAL NUMBER	CUSTOMER	DOCUMENT NUMBER	DOC TYPE	DOC PART	REVISION				A3-SIZE	120082	1200828004	GENERAL MARKET	1200828004	PSD
FUNCTIONAL SYMBOLS	DIMENSION UNITS	SCALE																																																
$\nabla_A = 0$	mm	3:2																																																
$\nabla_E = 0$	GENERAL TOLERANCES (UNLESS SPECIFIED)																																																	
$\nabla_V = 0$	ANGULAR TOL ± °																																																	
DIVISIONAL SYMBOLS	4 PLACES ±	EC NO: 703538	ILS.UL-4P-M/2XFE-ST-0.3M-LSOH PRODUCT CUSTOMER DRAWING																																															
	3 PLACES ±	DRWN: SSM		2022/03/23																																														
	2 PLACES ±	CHK'D: RSILLER		2022/04/22																																														
	1 PLACE ±	APPR: RSILLER		2022/04/22																																														
	0 PLACES ±	INITIAL REVISION:																																																
DRAFT WHERE APPLICABLE MUST REMAIN WITHIN DIMENSIONS		THIRD ANGLE PROJECTION	DRAWING	SERIES	MATERIAL NUMBER	CUSTOMER	DOCUMENT NUMBER	DOC TYPE	DOC PART	REVISION																																								
			A3-SIZE	120082	1200828004	GENERAL MARKET	1200828004	PSD	000	A																																								

13	12	11	10	9	8	7	6	5	4	3	2	1
<b>MATERIAL NUMBER</b>		<b>OLD PART NUMBER</b>		<b>FINISHED LENGTH</b>								
120082-8004		8W4A30H09M003		.98' +.75" -0 [0.3M +19.1mm -0]								

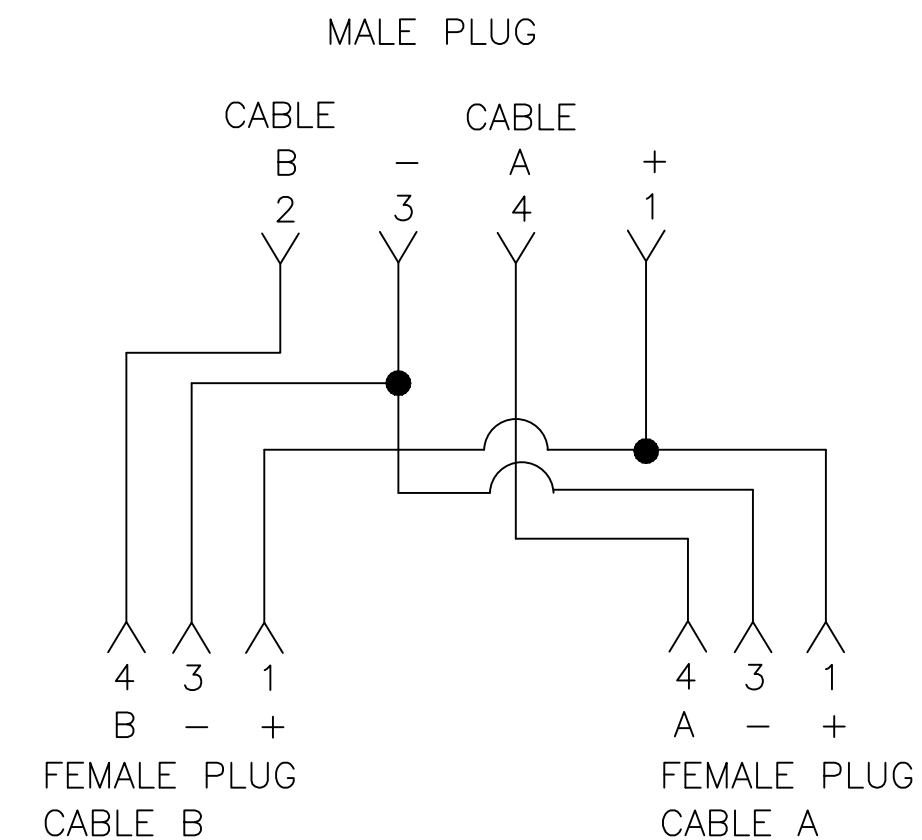


**8W4A30H09M003**

Wire type  
3x .34mm<sup>2</sup>  
Black PUR

cable length  
M020----2 Meter  
M100----10 Meter

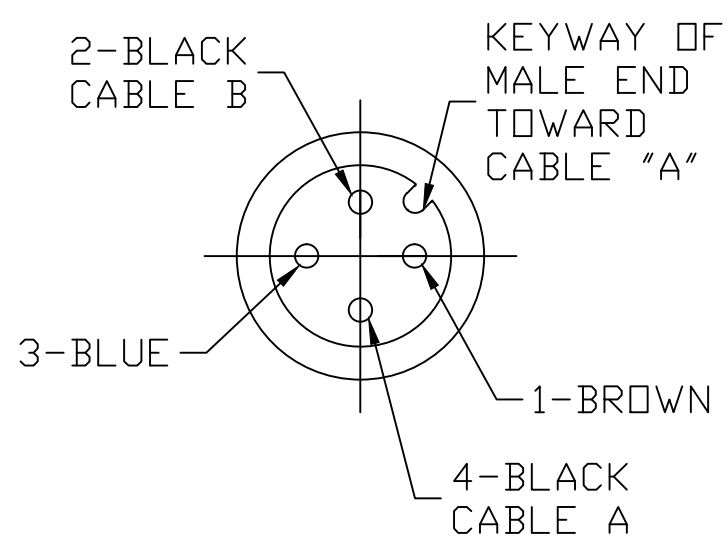
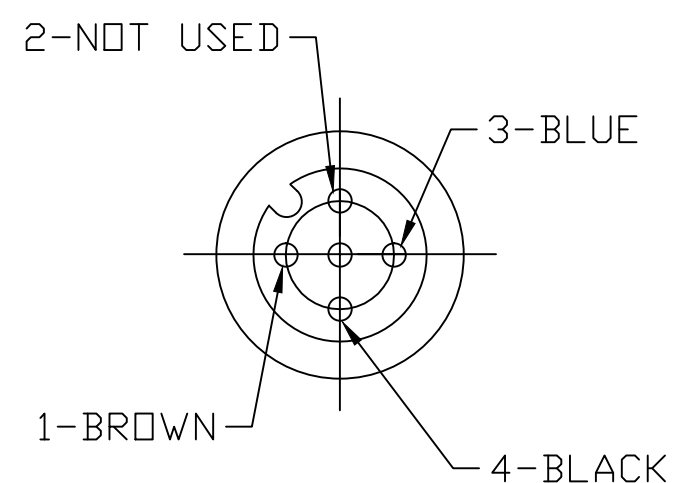
CONTACT:	GOLD/NICKEL OVER COPPER ALLOY
INSERT:	PUR, BLACK
COUPLING NUT:	BRASS, NICKEL PLATED
MOLDED BODY:	RITREFLEX, YELLOW
VOLTAGE RATING:	250 VAC/VDC
AMPERAGE RATING:	4 AMPS
PROTECTION:	IP67
OPERATING TEMPERATURE:	FLEXING: -5°C TO 80°C STATIC: -30°C TO 80°C



WIRING SCHEMATIC

FEMALE INSERT  
FRONT VIEW

MALE INSERT  
FRONT VIEW



INITIAL RELEASE EC NO: IPG2014-0063 DRWN: EBRACKEN 2013/07/03 CHKD: RSTONE APPR: BWOODMAN2013/08/16	QUALITY SYMBOL	DESCRIPTION
	▽=0	
	∇=0	
	A	

GENERAL TOLERANCES (UNLESS SPECIFIED)	
	mm INCH
4 PLACES	±.05 ±.005
3 PLACES	±.02 ±.005
2 PLACES	±0.13 ±.010
1 PLACE	±0.25 ±.020
ANGULAR ±.5°	
DRAFT WHERE APPLICABLE MUST REMAIN WITHIN DIMENSIONS	

DIMENSION STYLE	
IN/MM	
DRAWN BY	DATE
EBRACKEN	2013/06/18
CHECKED BY	DATE
RSTONE	----
APPROVED BY	DATE
BWOODMAN	2013/08/16
MATERIAL NO.	
SEE CHART	
SIZE	
C	

SCALE	DESIGN UNITS	THIRD ANGLE PROJECTION	
---	INCH		
TITLE			
MICRO INL. SPLITTER 4 POLE M/2XFE-ST .3M CABLE BLACK PUR			
MOLEX INCORPORATED		SHEET NO.	
SD-120082-004		1 OF 1	
THIS DRAWING CONTAINS INFORMATION THAT IS PROPRIETARY TO MOLEX INCORPORATED AND SHOULD NOT BE USED WITHOUT WRITTEN PERMISSION			