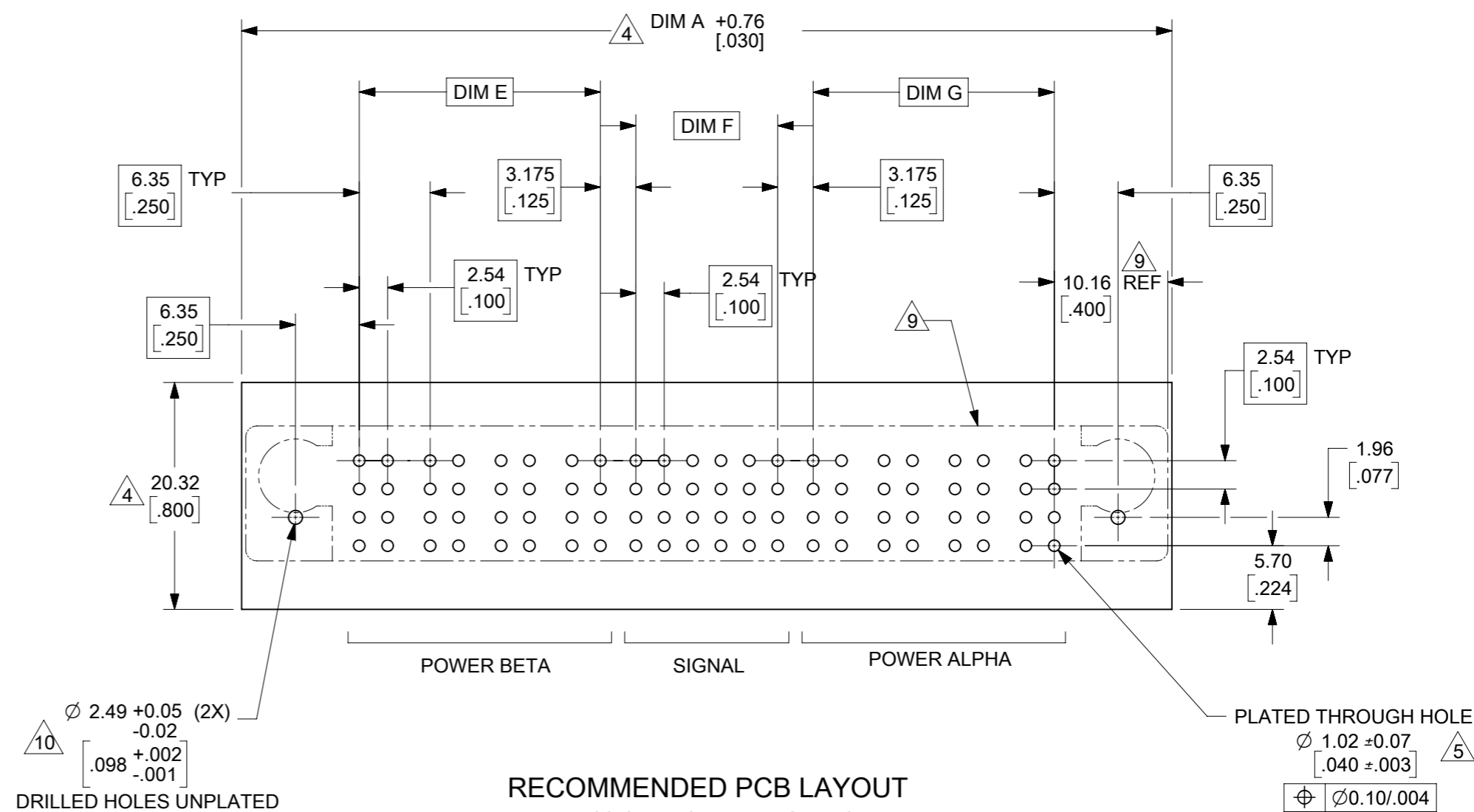


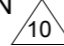
THIS DRAWING CONTAINS INFORMATION THAT IS PROPRIETARY TO MOLEX ELECTRONIC TECHNOLOGIES, LLC AND SHOULD NOT BE USED WITHOUT WRITTEN PERMISSION									
DIMENSION UNITS		SCALE		CURRENT REV DESC: OBSOLETE PART NO					
MM/IN		NTS							
GENERAL TOLERANCES (UNLESS SPECIFIED)									
		MM	INCH	EC NO: 618848 DRWN: AKUMAR19 2018/07/16 CHK'D: GGA 2019/09/05 APPR: GGA 2019/09/05					
4 PLACES		±	±	INITIAL REVISION: DRWN: KMGH 2002/11/19 APPR: SKTOH 2002/11/21					
3 PLACES		±	± 0.01	DOCUMENT NUMBER: SD-87633-013 DOC TYPE: PSD DOC PART: 001 REVISION: E					
2 PLACES		± 0.25	±	PRODUCT CUSTOMER DRAWING					
1 PLACE		±	±	MATERIAL NUMBER: SEE TABLE CUSTOMER: GENERAL MARKET					
0 PLACES		±	±	SHEET NUMBER: 1 OF 3					
ANGULAR TOL		± 3.0°		THIRD ANGLE PROJECTION 					
DRAFT WHERE APPLICABLE		MUST REMAIN WITHIN DIMENSIONS		DRAWING		SERIES		SHEET NUMBER	
				A3-SIZE		87633		1 OF 3	

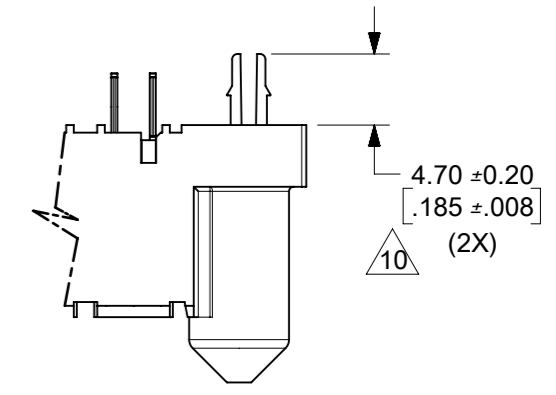
NOTES

- 1 MATERIALS :-
HOUSING - LCP, GLASS FILLED, UL94V-0,
COLOR: BLACK.
SIGNAL TERMINAL - COPPER ALLOY
POWER TERMINAL - COPPER ALLOY
- 2 FINISH :-
SIGNAL & POWER CONTACTS
0.76 MICROMETER MINIMUM GOLD (Au) AT CONTACT AREA
AND 2.54 MICROMETER MINIMUM TIN AT SOLDER TAIL
AREA OVER 1.27µm MINIMUM NICKEL (Ni) UNDERPLATE.
- 3 SPECIFICATIONS :-
PRODUCT SPECIFICATION : PS-87633-006
APPLICATION SPECIFICATION : AS-87633-007
- 4 COMPONENT STAY AWAY ZONE FROM CONNECTOR.
- 5 PCB NOTE FOR DIAMETER 1.02/.040 PLATED HOLE.
- DRILLED HOLE SIZE IS 1.151/.0453
- PLATED WITH 0.007/.0003 MINIMUM TIN OVER
0.03/.001 TO 0.08/.003 COPPER PLATING TO ACHIEVE
1.02±0.08/.040±.003 HOLE.
- 6 ALL TERMINAL TIPS ARE DESIGNED WITH EXPOSED BASE COPPER.
THIS IS CREATED BY FINAL CUTTING PROCESS AFTER PLATING.
- 7 MANUFACTURER LOGO, PART NUMBER AND YEAR-WEEK CODE.
- 8 4Pa-24S-4Pb CONFIGURATION IS SHOWN FOR ILLUSTRATION ONLY.
P-S-P CONFIGURATION IS AVAILABLE UP TO 203MM/8INCH.
PLEASE CONTACT MOLEX SALES PERSONNEL FOR OTHER
CONFIGURATION AND OPTION NEEDED.
- 9 IMAGINARY LINE AND DIMENSION TO POSITION AND PROVIDE
CONNECTOR ORIENTATION WITH RESPECT TO PCB LAYOUT.
- 10 OPTIONAL BOARDLOCK FEATURE FOR SYMETRICAL POWER CONFIG
FULL PROOFING UPON CUSTOMER REQUEST.

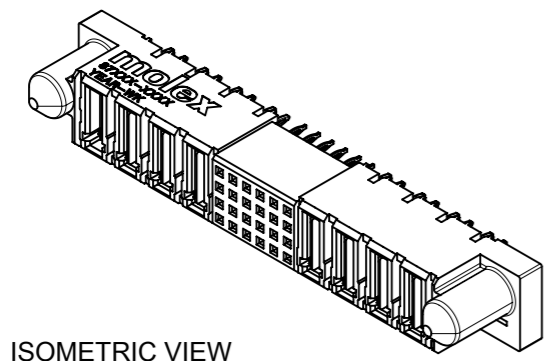


THIS DRAWING CONTAINS INFORMATION THAT IS PROPRIETARY TO MOLEX ELECTRONIC TECHNOLOGIES, LLC AND SHOULD NOT BE USED WITHOUT WRITTEN PERMISSION											
DIMENSION UNITS		SCALE		CURRENT REV DESC: OBSOLETE PART NO						molex	
MM/IN		NTS									
GENERAL TOLERANCES (UNLESS SPECIFIED)				EC NO: 618848		DRWN: AKUMAR19		2018/07/16		POWER CONN. RECEPTACLE	
				CHK'D: GGA		2019/09/05		2019/09/05		P-S-P CONFIGURATION VERT. PRESS-FIT, W/G POST	
				APPR: SKTOH		2002/11/19		2002/11/21		PRODUCT CUSTOMER DRAWING	
				INITIAL REVISION:		DRWN: KMGH		2002/11/19		DOCUMENT NUMBER	
				APPR: SKTOH		2002/11/21		2002/11/21		SD-87633-013	
ANGULAR TOL ± 3.0°				DRAFT WHERE APPLICABLE MUST REMAIN WITHIN DIMENSIONS		THIRD ANGLE PROJECTION		DRAWING		SERIES	
						A3-SIZE		87633		MATERIAL NUMBER	
						SEE TABLE		GENERAL MARKET		CUSTOMER	
										SHEET NUMBER	
										2 OF 3	


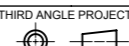
PART NUMBER	P-S-P CONFIGURATION			RECESSED POWER CIRCUIT#	DIMENSIONS								BOARDLOCK OPTION 	PACKAGING
	POWER BETA	SIGNAL	POWER ALPHA		A	B	C	D	E	F	G	H		
87633-1000	5	24	3	NIL	$\frac{82.54}{3.250}$	$\frac{74.93}{2.950}$	$\frac{73.65}{2.900}$	$\frac{59.69}{2.350}$	$\frac{27.94}{1.100}$	$\frac{12.70}{.500}$	$\frac{15.24}{.600}$	$\frac{3.43}{.135}$	NIL	TRAY
87633-1011	7	32	6	NIL	$\frac{119.38}{4.700}$	$\frac{111.76}{4.400}$	$\frac{110.48}{4.350}$	$\frac{96.52}{3.800}$	$\frac{40.64}{1.600}$	$\frac{17.78}{.700}$	$\frac{34.29}{1.350}$	$\frac{3.43}{.135}$	NIL	
87633-1026	4	48	4	NIL	$\frac{97.79}{3.850}$	$\frac{90.17}{3.550}$	$\frac{88.90}{3.500}$	$\frac{74.93}{2.950}$	$\frac{21.59}{0.850}$	$\frac{27.94}{1.100}$	$\frac{21.59}{0.850}$	$\frac{3.43}{.135}$	YES	



BOARDLOCK OPTION



ISOMETRIC VIEW

THIS DRAWING CONTAINS INFORMATION THAT IS PROPRIETARY TO MOLEX ELECTRONIC TECHNOLOGIES, LLC AND SHOULD NOT BE USED WITHOUT WRITTEN PERMISSION											
DIMENSION UNITS MM/IN		SCALE NTS		CURRENT REV DESC: OBSOLETE PART NO							
GENERAL TOLERANCES (UNLESS SPECIFIED)						EC NO: 618848					
4 PLACES ±		±		DRWN: AKUMAR19		2019/09/05		POWER CONN. RECEPTACLE P-S-P CONFIGURATION VERT. PRESS-FIT, W/G POST			
3 PLACES ±		± 0.01		CHK'D: GGA		2019/09/05		PRODUCT CUSTOMER DRAWING			
2 PLACES ±		± 0.25		APPR: GGA		2019/09/05		DOCUMENT NUMBER			
1 PLACE ±		±		INITIAL REVISION:				SD-87633-013		DOC TYPE	
0 PLACES ±		±		DRWN: KMG0H		2002/11/19		PSD		DOC PART	
ANGULAR TOL ± 3.0°		± 3.0°		APPR: SKTOH		2002/11/21		001		REVISION	
DRAFT WHERE APPLICABLE MUST REMAIN WITHIN DIMENSIONS				THIRD ANGLE PROJECTION 		DRAWING A3-SIZE		SERIES 87633		SHEET NUMBER 3 OF 3	
MATERIAL NUMBER SEE TABLE				CUSTOMER GENERAL MARKET							

DOCUMENT STATUS	P1	RELEASE DATE	2019/09/05	07:40:47
-----------------	----	--------------	------------	----------