

NOTE

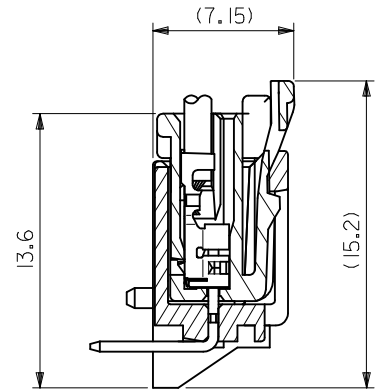
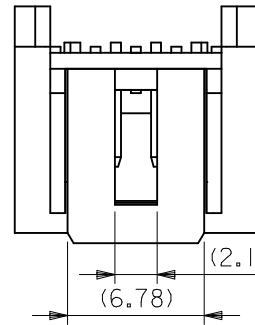
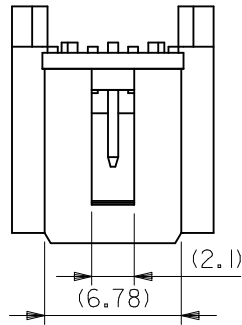
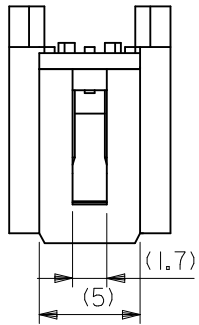
- 嵌合相手: 51382-****
MATE WITH: 51382-****
- 偶数極 (列) に適用。
APPLY EVEN CIRCUIT PRODUCTS.
- キンフは両外側の位置に付加。
KINK TO BE APPLIED BOTH ENDS.
- 材質: ホリエスデル(PBT) UL94V-0
HOUSING: POLYESER(PBT) UL94V-0
ピン: 黄銅
PIN: BRASS
- めっき: 銅めっき, リフロー処理(前めっき) めっき厚: 1.0 μm MIN.
ニッケル下地めっき, めっき厚: 0.5 μm MIN.
FINISHES: PIN: PRE-TIN PLATED, (HEAT TREATED MATTE TIN)
PLATING THICKNESS: 1.0 μm MIN.
NICKEL UNDERPLATE OVERALL
PLATING THICKNESS: 0.5 μm MIN.
- 製品番号 MATERIAL NO.
55935-****

極数 CIRCUIT SIZE | 色 COLOR

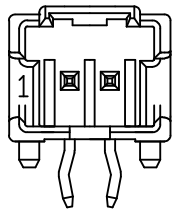
10	自然色 (白) NATURAL (WHITE)				
11	黒 BLACK				
12	赤 RED				
13	黄 YELLOW				
14	青 BLUE	31	28	34	55935-15** 15
15	桃 PINK	29	26	32	55935-14** 14
16	緑 GREEN	27	24	30	55935-13** 13
17	茶 BROWN	25	22	28	55935-12** 12
18	橙 ORANGE	23	20	26	55935-11** 11
19	紫 VIOLET	21	18	24	55935-10** 10
41	灰 GRAY	19	16	22	55935-09** 9
43	蛍光黄 FLUORESCENCE YELLOW	17	14	20	55935-08** 8
44	水 PALE BLUE	15	12	18	55935-07** 7
46	黄緑 YELLOWISH GREEN	13	10	16	55935-06** 6
		11	8	14	55935-05** 5
		9	6	12	55935-04** 4
		7	4	10	55935-03** 3
		5	2	8	55935-02** 2
		C	B	A	MATERIAL NO. CKT.

MODEL NO.: 55935-****

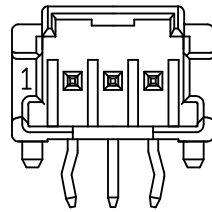
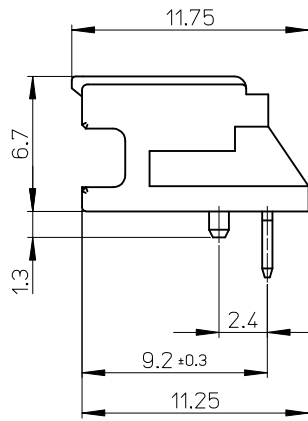
REVISED EC NO: J2018-0106 2017/09/25 DRWN: MIKEDA01 CHK: DAIDA APPR: KANEKO 2017/09/25	GENERAL TOLERANCES (UNLESS SPECIFIED)		DIMENSION STYLE MM ONLY		SCALE ---	DESIGN UNITS METRIC	THIRD ANGLE PROJECTION
	0.25 UNDER	UNDER	±0.03	DRAWN BY T. NIITSU	DATE '02/05/15	TITLE 2.0 W/B SINGLE CONN. PLUG HOUSING ASS'Y R/A -LEAD FREE-	
	0.25 OVER	0.5 UNDER	±0.05	CHECKED BY K. ASAKAWA	DATE '03/06/12	molex DOCUMENT NO. SD-55935-005	
	0.5 OVER	1.0 UNDER	±0.1	APPROVED BY T. YAMAGUCHI	DATE '03/06/12		
1.0 OVER	10 UNDER	±0.20	MATERIAL NO. SEE CHART		THIS DRAWING CONTAINS INFORMATION THAT IS PROPRIETARY TO MOLEX ELECTRONIC TECHNOLOGIES, LLC AND SHOULD NOT BE USED WITHOUT WRITTEN PERMISSION		
10 OVER	30 UNDER	±0.25	SIZE A3				
30 OVER		±0.30	DRAFT WHERE APPLICABLE MUST REMAIN WITHIN DIMENSIONS				



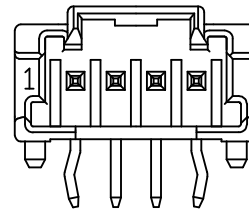
嵌合断面図



2 CIRCUIT



3 CIRCUIT



4 CIRCUIT

MODEL NO. : 55935-****

REVISED EC NO: J2018-0106 DRWN:MIKEDA01 2017/09/25 CHK:DAIDA 2017/09/25 APPR:KANAKO 2017/09/25	GENERAL TOLERANCES (UNLESS SPECIFIED)			DIMENSION STYLE MM ONLY		SCALE ---	DESIGN UNITS METRIC	THIRD ANGLE PROJECTION	
	0.25 UNDER	UNDER	±0.03	DRAWN BY	DATE	TITLE			
	0.25 OVER	0.5 UNDER	±0.05	T.NIITSU	'02/05/15	2.0 W/B SINGLE CONN. PLUG HOUSING ASS'Y R/A -LEAD FREE-			
	0.5 OVER	1.0 UNDER	±0.1	CHECKED BY	DATE				
	1.0 OVER	10 UNDER	±0.20	K.ASAKAWA	'03/06/12	molex DOCUMENT NO. SD-55935-005 SHEET NO. 2 OF 2			
10 OVER	30 UNDER	±0.25	APPROVED BY	DATE					
30 OVER		±0.30	T.YAMAGUCHI	'03/06/12					
ANGULAR	±3 °		MATERIAL NO.						
DRAFT WHERE APPLICABLE MUST REMAIN WITHIN DIMENSIONS				SIZE A3	THIS DRAWING CONTAINS INFORMATION THAT IS PROPRIETARY TO MOLEX ELECTRONIC TECHNOLOGIES, LLC AND SHOULD NOT BE USED WITHOUT WRITTEN PERMISSION				