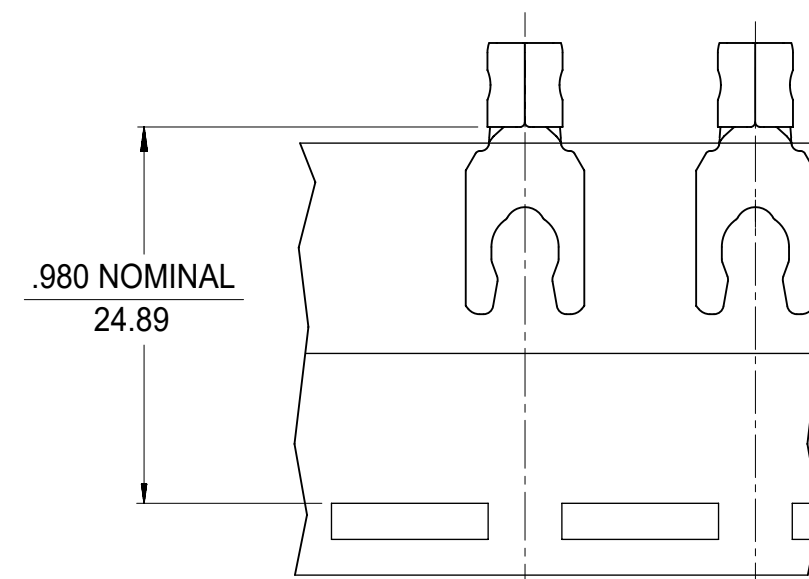
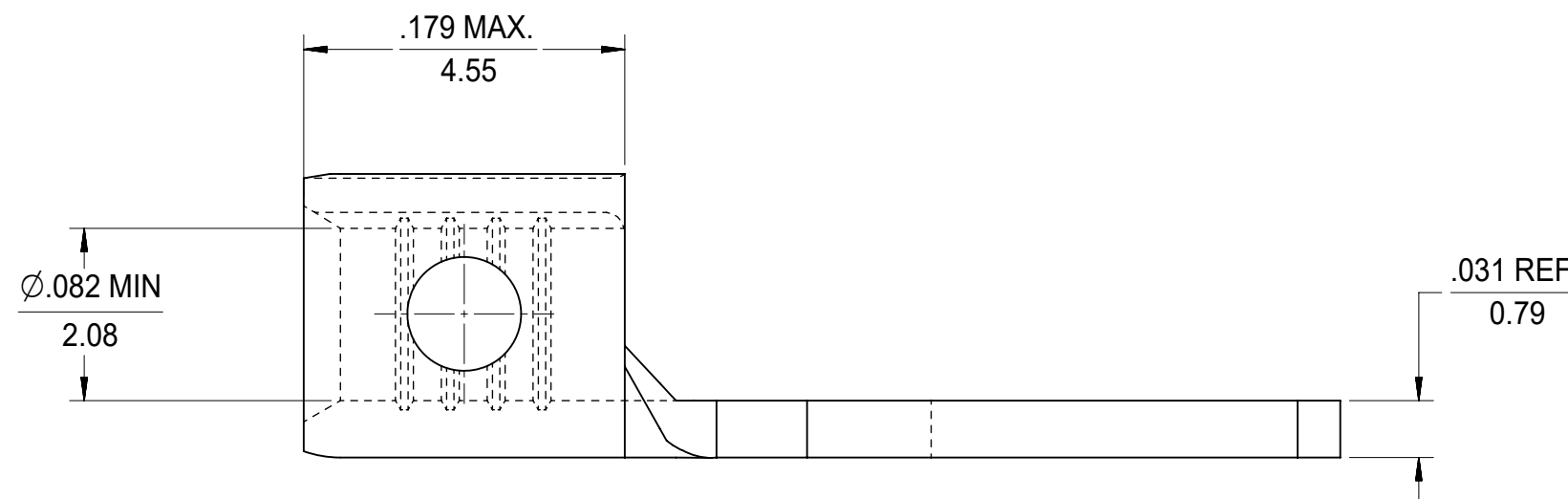
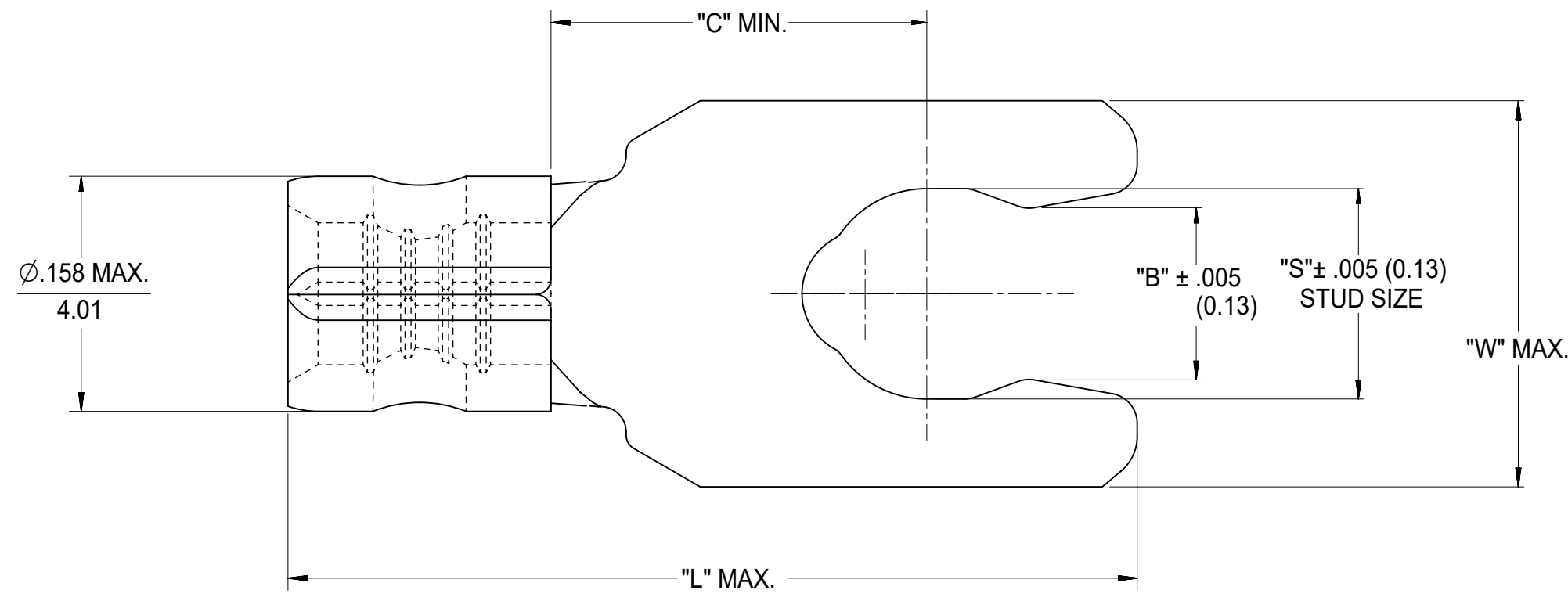


12	11	10	9	8	7	6	5	4	3	2	1
MATERIAL NO. (LOOSE PIECE)	ENGINEERING NO. (LOOSE PIECE)	MATERIAL NO. (TAPE MOUNTED)	ENGINEERING NO. (TAPE MOUNTED)	STUD SIZE	"S" ± .005 (0.13)	DIM "B" ±.005(0.13)	DIM "C"	DIM "L"	DIM "W"		
190980041	BB-1707-05	190980042	BB-1707-05T	5	.127(3.23)	.105/2.67	.230/5.84	.585/14.86	.265/6.73		
190980043	BB-1707-06	190980044	BB-1707-06T	6	.146(3.71)	.114/2.90	.230/5.84	.585/14.86	.265/6.73		
190980047	BB-1716-08	190980048	BB-1716-08T	8	.173(4.39)	.139/3.53	.261/6.63	.646/16.41	.320/8.13		
190980049	BB-1717-10	190980050	BB-1717-10T	10	.198(5.03)	.156/3.96	.261/6.63	.694/17.63	.340/8.64		

(B1)



PARTS ON TAPE

NOTE(S):

1. MATERIAL: COPPER .031 (0.79) THICK
2. PLATING: ELECTRO-TIN
3. PARTS ARE RoHS COMPLIANT

FUNCTIONAL SYMBOLS	THIS DRAWING CONTAINS INFORMATION THAT IS PROPRIETARY TO MOLEX ELECTRONIC TECHNOLOGIES, LLC AND SHOULD NOT BE USED WITHOUT WRITTEN PERMISSION																
	DIMENSION UNITS		SCALE		CURRENT REV DESC: ADD MISSING STUD DIM'S COLUMN												
$\frac{F}{A} = 0$	IN/MM		10:1		EC NO: 718780 DRWN: DMYRICK 2022/08/23 CHK'D: JMACNEIL 2022/08/23 APPR: JMACNEIL 2022/08/23								SNAP SPADE TONGUE TERMINAL, 16-14 AWG				
$\frac{F}{C} = 0$	GENERAL TOLERANCES (UNLESS SPECIFIED)										PRODUCT CUSTOMER DRAWING						DOCUMENT NUMBER
$\frac{F}{P} = 0$	4 PLACES ±		MM INCH		INITIAL REVISION: DRWN: APPR:												SD-19098-004
DIVISIONAL SYMBOLS		3 PLACES ±		± 0.005							DRAFT WHERE APPLICABLE MUST REMAIN WITHIN DIMENSIONS						MATERIAL NUMBER
		2 PLACES ±		0.13 ± 0.01		THIRD ANGLE PROJECTION		DRAWING		SERIES							GENERAL MARKET
		1 PLACE ±		±				C-SIZE		19098		SEE CHART					
		0 PLACES ±		±													
		ANGULAR TOL ± 0.5 °															