

■ Features

- Single output from 12W
- 100-240Vac Universal Input
- Raintight
- Frequency: 50-60Hz
- Ripple: 200mV
- SCP, OVP & OCP
- Input Plug: US
- Class 2 Power
- IP44
- Efficiency Level: VI
- Dimension: 81.3x48.9x58.5mm(exclude plug)



*Product images are for illustrative purposes only and may vary from actual design.

Custom Designs Available!

■ Application

- Dry, Wet, and Damp locations
- Industrial equipment

■ Model List

Model	Output Voltage	Output Current	Power	Certifications
WM012R-050-X-WA-XX	5V	2.4A	12W	UL, CE
WM012R-060-X-WA-XX	6V	2A	12W	UL, CE
WM012R-070-X-WA-XX	7V	1.7A	12W	UL, CE
WM012R-090-X-WA-XX	9V	1.3A	12W	UL, CE
WM012R-120-X-WA-XX	12V	1A	12W	UL, CE
WM012R-150-X-WA-XX	15V	0.8A	12W	UL, CE
WM012R-180-X-WA-XX	18V	0.66A	12W	UL, CE
WM012R-240-X-WA-XX	24V	0.5A	12W	UL, CE

■ Technical Data

Input Voltage	100-240Vac
Input Frequency	50/60Hz
Input Current	0.6A max
Inrush Current	50A @25°C cold start at 220Vac
Leakage Current	0.25mA Max. at 100-240Vac input
Line Regulation	±2%
Load Regulation	±5%
Ripple and Noise	200mVp-p
Turn on delay time	3s
Rise time	10mS
Hold up time	5mS

Technical Sales / Customer Service: +1-818-338-7788 • Email: sales@autec.com
 31328 Via Colinas Suite 102 • Westlake Village, CA 91362 USA • www.autec.com

June 25, 2019

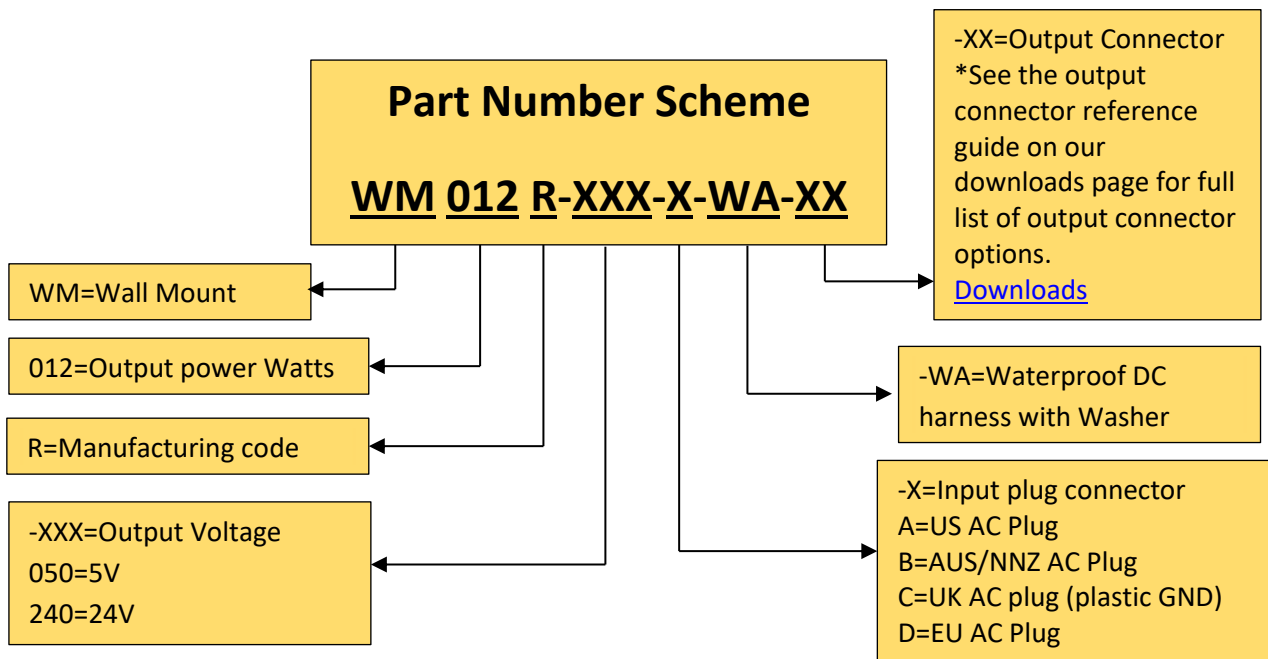
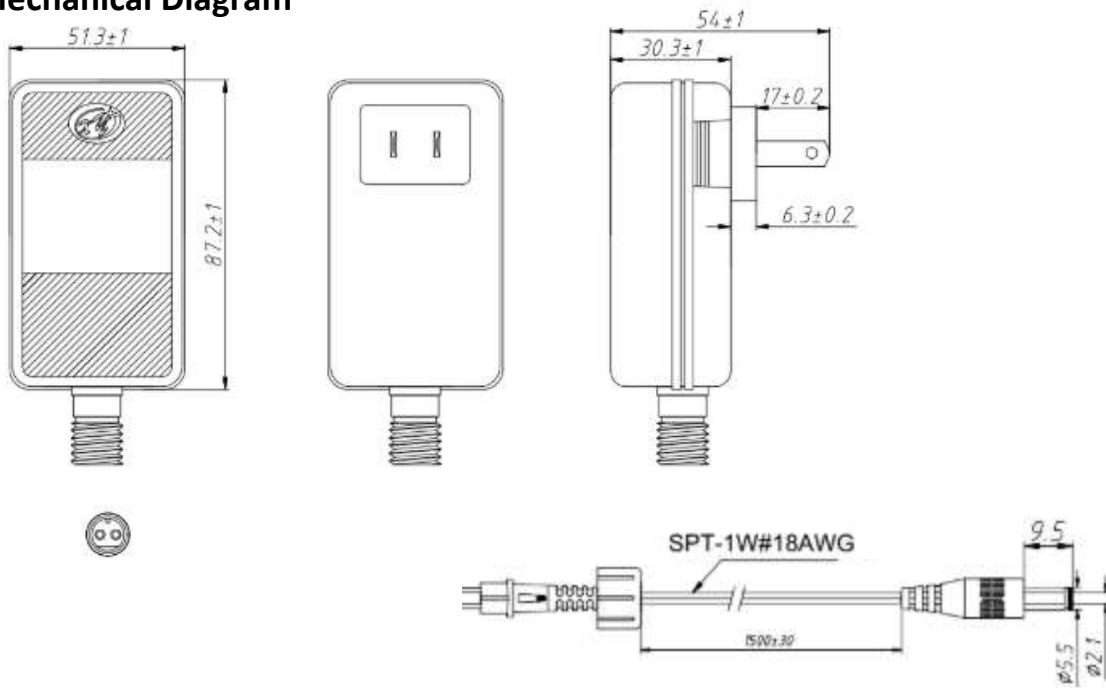
■ **Technical Data(cont.)**

Efficiency	86%; Level VI
Overshoot	10% Max, when power supply is turned of/on
Standby Power	0.1W Max at 115Vac
Short Circuit Protection	Auto recovery when short circuit fault is removed
Over Current Protection	4A Max. Auto recovery when over current fault is removed
Over Voltage Protection	150% when the output voltage is over 150% rated voltage, the power supply will be protected and will work normally when fault is removed
Operating Temperature	0°C to +40°C, Full load
Storage Temperature	-40°C to +80°C
Operating Relative Humidity	10%RH to 100%RH
Storage Relative Humidity	5%RH to 100%RH
Vibration	IEC 68-2-6
MTBF	50,000 hours(MIL-HDBK-217F
Dimensions LxWxH	81.3x48.9x58.5mm

■ **Safety and EMI Standard**

Safety	UL1310
Dielectric Strength Hi-Pot:	3000Vac, 10mA, 60s. Primary to secondary, 3000Vac(or4242Vdc), 10A, 60s.
Insulation resistance Primary to secondary	50MΩ min at 500Vdc from primary to secondary
EMI Standard	EN55022
EMS Standard	EN61000-3-2, 3, EN61000-4-2, 3, 5, 8, 11

■ Mechanical Diagram



*Product images are for illustrative purposes only and may vary from actual design.

*Specifications are subject to change without notice. Autec is not responsible for issues arising from errors or omissions.

Technical Sales / Customer Service: +1-818-338-7788 • Email: sales@autec.com

31328 Via Colinas Suite 102 • Westlake Village, CA 91362 USA • www.autec.com

June 25, 2019