



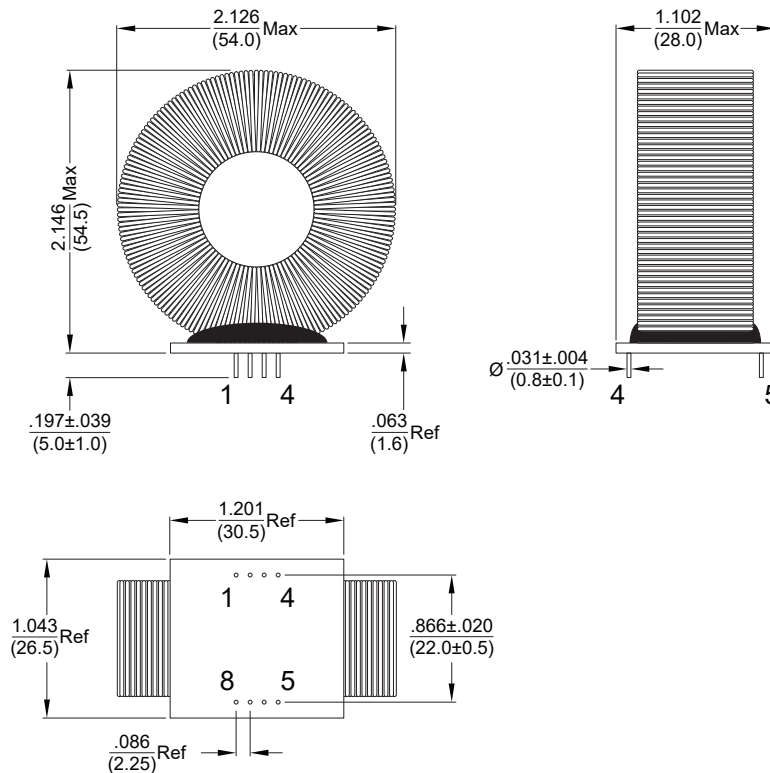
- Solid base for stable mounting
- Fixed pins for easy PCB insertion
- Operating Temperature Range: -20°C to +125°C

Electrical Specifications @25°C			
Inductance @ 10KHz, 1.0V 0A DC	Inductance @ 10KHz, 1.0V 10.5A DC	Inductance @ 10KHz, 1.0V 16.5A DC	DCR (mΩ) Max
570μH ±15%	435μH Min	400μH Min	50

All specifications subject to change without notice.

MECHANICAL

Dimensions: $\frac{\text{inch}}{\text{mm}}$



SCHEMATICS

