

Document Receipt Acknowledgement
Date:
Section:
Name:



Document Number: DM-L17-010-A2127
Date; Oct. 23,2017

Attention:

DIGI-KEY/THIEF RIVER FALLS/MN/HQ

Product Withdrawal Notice

Position Sensor, P/N: SV01L, SV03L series

Dear. Valued Customer

Thank you very much for your great and continued support for business with Murata. This is the official notification that some of our products will be discontinued as detailed below. Please review this, and indicate your feedback for this Notice in writing by Feedback Due. Also, please place Last Time Buy Order by the Last Time Order Due Date as needed. Your understanding and support are highly appreciated.

1. Product Type, Customer/Murata/Alternative Part Numbers:

Product Type: Position Sensor, P/N: SV01L, SV03L series

Please refer to the attached documents for detailed Part Numbers' information.

2. Reasons/Background:

1. Due to the market demands decrease.
2. Due to the difficulty of products continuous supply with low productivity and not paying.

3. Product Withdrawal Schedule:

Last Time Order Due (*): Mar. 31, 2018

Last Production Date: Jun. 30, 2018

Last Shipment Date: Sep. 30, 2018

*: Last Time Order is the subject to Minimum Order Quantity and Package Quantity.
Order Cancel and Product Return can be accepted only in the case of quality issue.

4. Feedback Due:

Jan. 31, 2018

Please indicate your feedback to Murata in writing by the Feedback Due, whether you approve this Notice or need further discussion and/or adjustments with Murata.

5. Contact Window:

Should you have any questions or concerns, please contact Murata Sales, Representative, or Distributor in your area.

Truly Yours. Thank you.

Murata Manufacturing, Co., Ltd.

Plannig and Promotion Department. Sensor Products Division.

General Manager, Yoshitaka Nagao



Document Number: DM-L17-010-A2127

Confirmation Letter

DIGI-KEY/THIEF RIVER FALLS/MN/HQ

Murata Manufacturing, Co., Ltd.

Product Withdrawal Confirmation

Product Withdrawal detailed below is Subject to Further Discussion. Accepted.
Product Type: Position Sensor, P/N: SV01L, SV03L series

Last Time Order Due: Mar. 31, 2018

Comments, Questions, Requests, etc.

Signature

Date: (MM, DD, YYYY)

Title:

Name:

納入実績
Sales History

弊社に登録されている貴社品番は下記になります。

Please find the list below for the target part numbers which are registered as yours in Murata. (Customer Part Number)

下記に記載の無い貴社品番につきましても、弊社の対象品種については申し入れに含むことと致します。

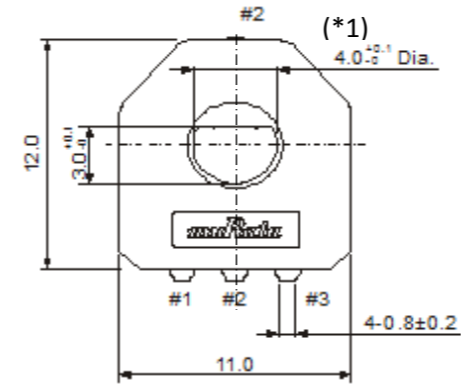
Regardless of the list below, all part numbers shall be the target as far as they are categorized into the Product Type indicated in the Document.

代替品：ピン配置、電気的特性など現行納入品と同じもの及び異なるものも含まれます。

Alternative Part Number: Pin Structure, Electrical Characteristics could be identical to or different from the current product.

口座番号 Account Number	お客様名 Customer Name	貴社品番 CustomerPart Number	弊社品番 MurataPart Number	納入数 (単位: 個) Sales Quantity (Unit: pieces)					
				2012FY	2013FY	2014FY	2015FY	2016FY	2017FY until Sep.
A2127	DIGI-KEY/THIEF RIVER FALLS/MN/HQ	490-3913-ND	SV01L103AEA11T00	2,000	2,000	3,000	0	0	0
A2127	DIGI-KEY/THIEF RIVER FALLS/MN/HQ	SV01L103AEA11T00	SV01L103AEA11T00	0	0	0	0	0	0

	対象品 Subject		代替品 Alternative		対象品 Subject		代替品 Alternative	
	村田		村田		村田		アルプス	
	MURATA		MURATA		MURATA		ALPS	
品番 Part number	SV01L103AEA11T00 SV01L103ADA11T00 (*1)		SV01A103AEA01R00		RDC501051A		SV01A103AEA01R00 RDC501051A	
公称全抵抗値範囲 Total resistance value	10KΩ		10KΩ		10KΩ			
全抵抗値許容差 Total resistance tolerance	±30%		±30%		±30%			
定格電圧 Rated voltage	5V dc		5V dc		5V dc			
電氣的有効回転角度 Effective rotation angle	Ref. 333°		Ref. 333°		Ref. 333°			
リニアリ保証範囲 Linearity specified angle	320°		320°		320°			
回転寿命 Rotational life	1,000,000 cycle		1,000,000 cycle		1,000,000 cycle			
使用温度範囲 Operating temperature range	-40°C~85°C		-40°C~85°C		-40°C~120°C			
出力電圧直線性 Linearity	±2%		±2%		±2%			
サイズ Size	12 x 11 x t 2.9 mm		12 x 11 x t 2.1 mm		12 x 11 x t 3.5 mm			
回転トルク Rotational torque	2 mN・m max.		2 mN・m max.		2 mN・m max.			
端子メッキ Terminal surface	Au		Au		Ag			
回路図 Land Pattern	<p>Recommend Mounting Holes (Tolerance: ±0.1)</p>							



(*1) Rotor diameter ; φ3.5

