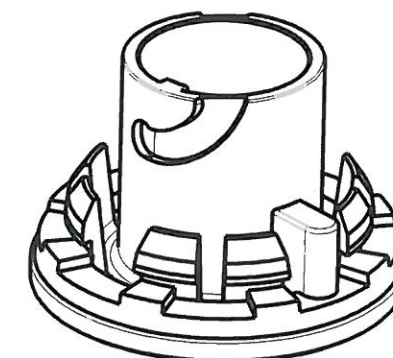
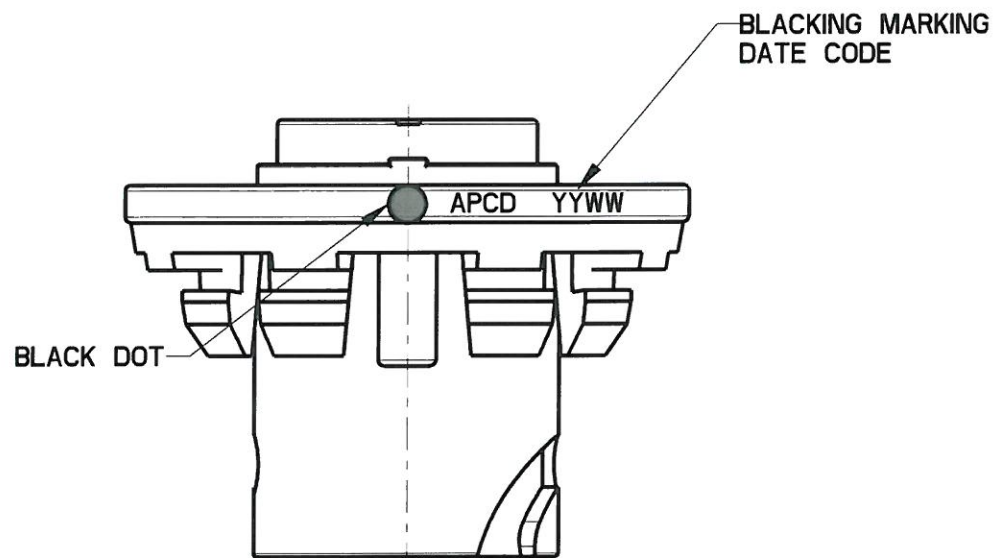
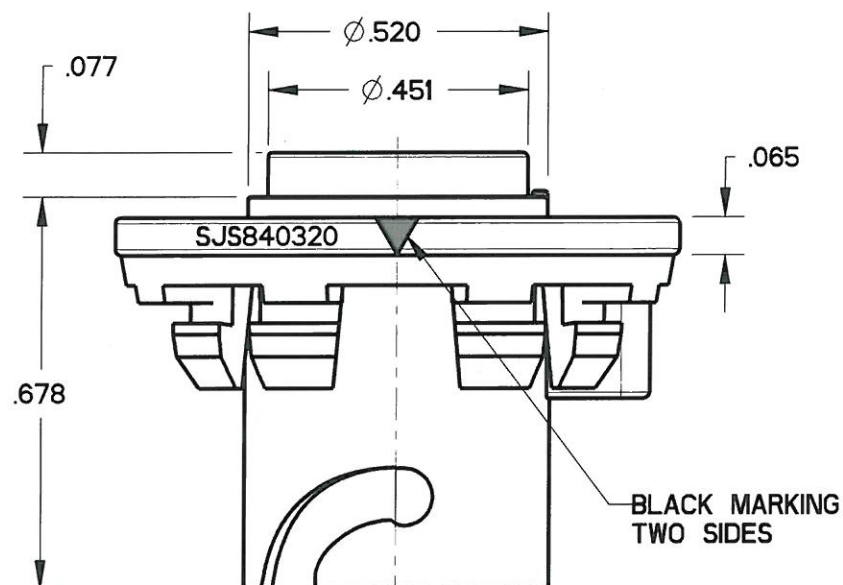
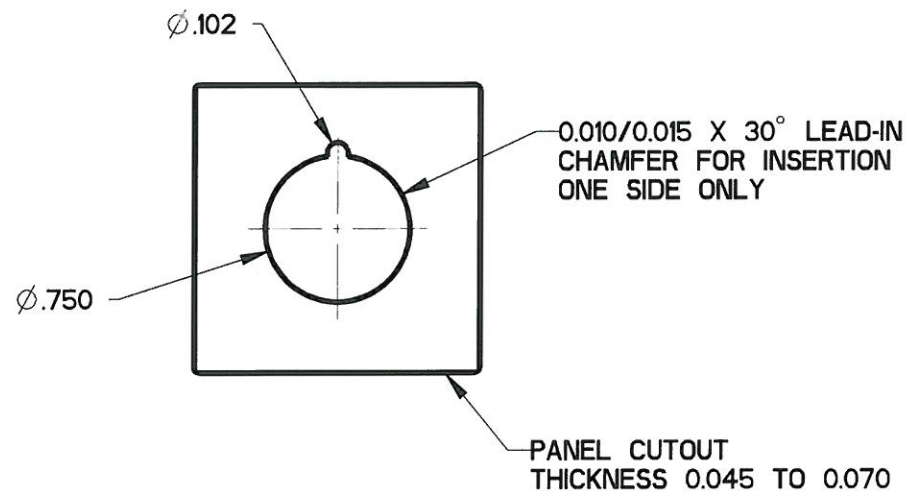
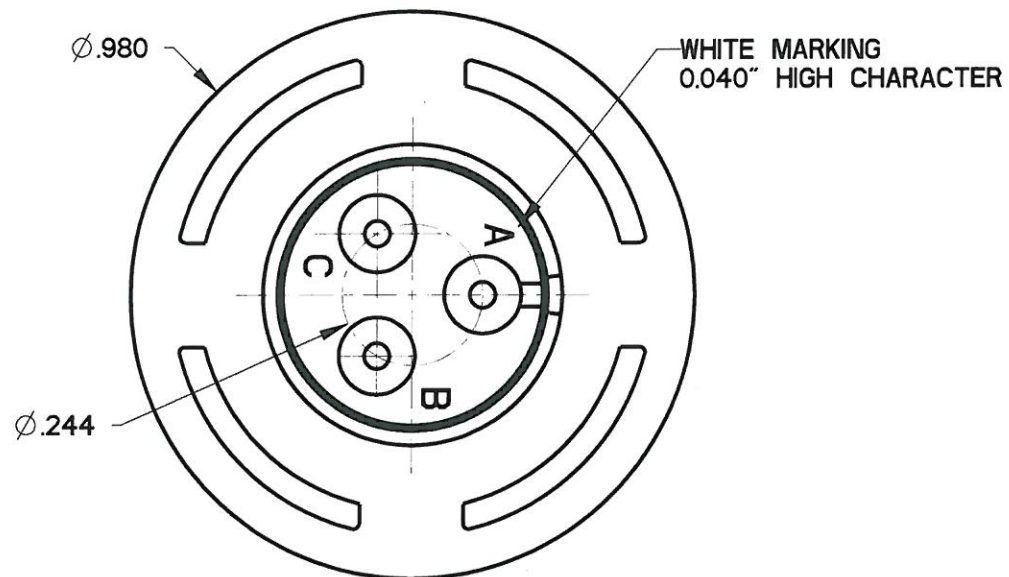
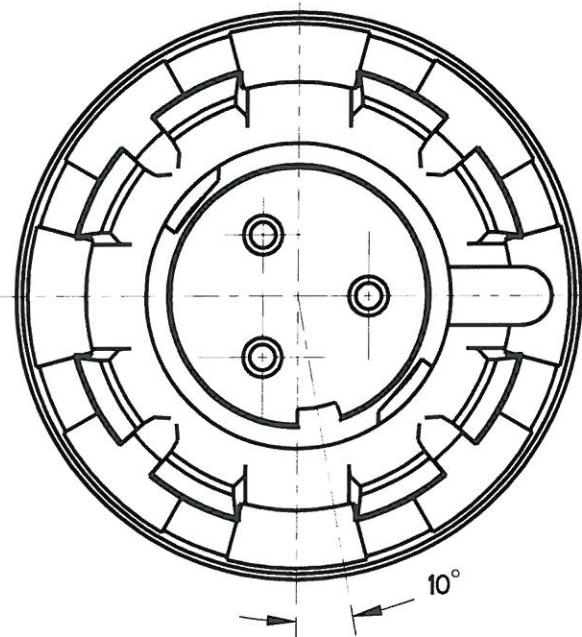


REV	ECN	APP'D
A	6428	JT 10/28/09
B	6473	JT 2/8/10
C	6564	<i>[Signature]</i>



SCALE 2:1

- NOTES:
- MATERIALS:
HOUSING: PA6/6
CONTACT RETAINER: STAINLESS STEEL
GROMMET: SILICONE RUBBER PER A-A-59588
 - ACCEPTS M39029/58-364 PIN CONTACTS (NOT INCLUDED)
 - PART MATES WITH SJS830310
 - WEIGHT: 3.3 GRAMS
 - SUPPLIED WITH DUST CAP



DIMENSIONS	TOLERANCES	PROJECTION	TITLE	
ANSI Y14.5M UNITS: INCHES Pro/E FILE	.XX ±0.01 .XXX ±0.005 ANGLES ±1.0°		Amphenol Pcd SPECIFICATION DRAWING ENGR Frank.Li 19-Mar-09	
ORIGINAL	THIS DOCUMENT CONTAINS PROPRIETARY INFORMATION WHICH IS THE CONFIDENTIAL PROPERTY OF AMPHENOL PCD INC., BEVERLY, MA	CHKD <i>[Signature]</i> 8/6/10 APPD <i>[Signature]</i> 8/6/10		
		CODE: 58982	SCALE: 3:1	SHEET 1 OF 1

SJS840320

SJS840320