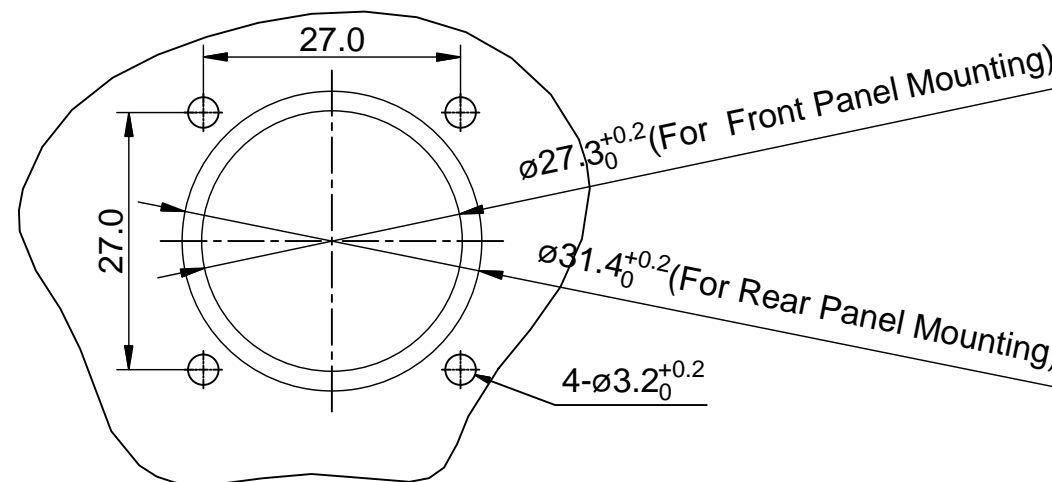
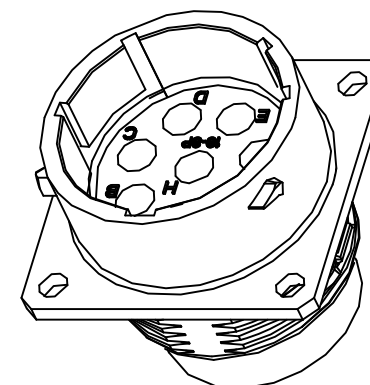
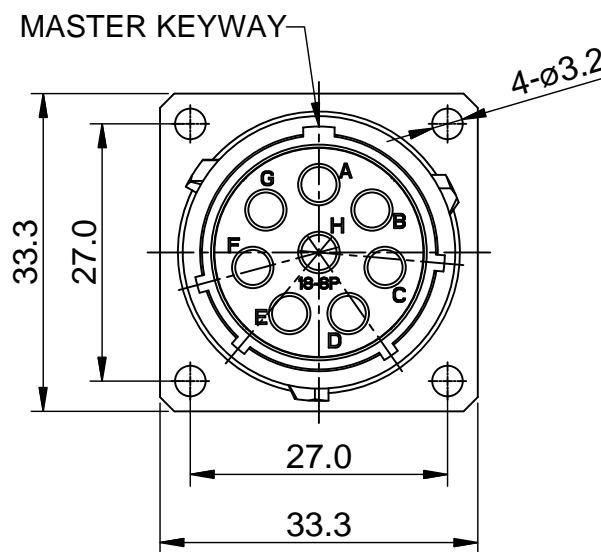
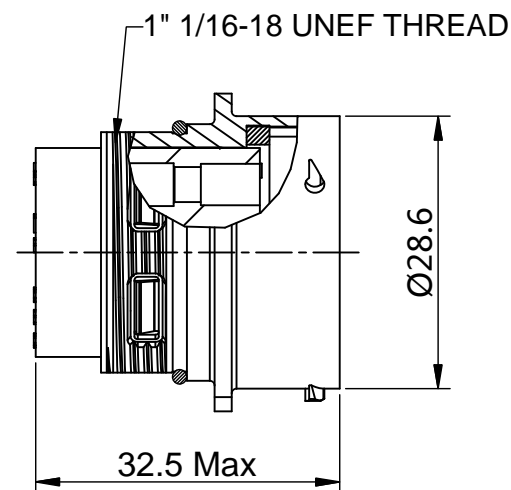


| REVISIONS | | | | | |
|-----------|-----|------------------|-------------|-----|-------|
| REV | ECO | DESCRIPTION | DATE | BY | APPR |
| B1 | - | RELEASED DRAWING | JUN-23-2014 | BEN | TOMMY |



| KEY POS | PART NUMBER |
|---------|-------------|
| N | RT00188PNH |
| W | RT00188PWH |
| X | RT00188PXH |
| Y | RT00188PYH |
| Z | RT00188PYH |

NOTES : (UNLESS OTHERWISE SPECIFIED)

- MATERIAL :
SHELL : ZINC ALLOY , NICKEL PLATED.
INSERT : THERMOPLASTIC , UL94 V-0.
SEAL GASKET : NBR.
O-RING : NBR.
- SPECIFICATIONS :
2.1 RATED CURRENT : 23A (MAX).
2.2 RATED VOLTAGE : 375V (AC/DC) .
2.3 OPERATING TEMPERATURE : -40°C ~ +105°C.
2.4 DIELECTRIC WITHSTANDING VOLTAGE : LESS THAN 2 MILLIAMPS CURRENT LEAKAGE@2000 VOLTS AC.
2.5 INSULATION RESISTANCE : 5000 MEGOHMS MIN.
2.6 IP--CLASS : IP67.
2.7 MATING CYCLES DURABILITY : 500 CYCLES MIN.
2.8 ROHS COMPLIANT.
- SUITABLE CONTACTS : 2.5mm CONTACTS.
- ALL DIMENSIONS ARE FOR REFERENCE USE ONLY.

PANEL CUT OUT REFERENCE

| QUANTITY | SEE PART NUMBER CHART PART NUMBER | DESCRIPTION | ITEM | | | | | | | | |
|--|---|---|---|------|------|---------|----------|---|----|------------|----|
| MATERIALS LIST | | | | | | | | | | | |
| UNLESS OTHERWISE SPECIFIED 1) All dimensions are in metric (mm). 2) Tolerances are as follows: 1 PL DEC ±0.30 2 PL DEC ±0.15 3 PL DEC ±0.08 Fractions ±1/64 Angles ±1° 3) Note reference = | | SIGNATURES DRAWN: BEN CHECKED: ENGINEER: APPROVAL: | DATE JUN-23-2014 | | | | | | | | |
| MATERIAL SPECIFICATIONS: | | <p style="text-align: center;">Amphenol</p> <p>Sine Systems - www.amphenol-sine.com 44724 Morley Drive Clinton Township, MI 48036</p> <p style="text-align: center;">ECO-MATE, RECEPTACLE, SIZE 18 ,8POS,PIN.</p> | | | | | | | | | |
| PROCESS SPECIFICATIONS: | | | | | | | | | | | |
| NEXT ASSY: | | CUSTOMER: THIS DRAWING IS SUPPLIED FOR INFORMATION ONLY. DESIGN FEATURES, SPECIFICATIONS AND PERFORMANCE DATA SHOWN HEREON ARE THE PROPERTY OF THE AMPHENOL CORPORATION. NO RIGHTS OF REPRODUCTION ARE IMPLIED. ALL DIMENSIONS ARE SUBJECT TO NORMAL MANUFACTURING VARIATIONS. | <table border="1"> <tr> <td>SIZE</td> <td>TYPE</td> <td>DWG NO.</td> <td>REVISION</td> </tr> <tr> <td>B</td> <td>C-</td> <td>RT00188P*H</td> <td>B1</td> </tr> </table> | SIZE | TYPE | DWG NO. | REVISION | B | C- | RT00188P*H | B1 |
| SIZE | TYPE | DWG NO. | REVISION | | | | | | | | |
| B | C- | RT00188P*H | B1 | | | | | | | | |
| SCALE: NONE | | SHEET 1 OF 1 | | | | | | | | | |

TITLE: ECO-MATE RECEPTACLE SIZE 18 ,8POS,PIN. DWG NO: RT00188P*H REV: B1 SH: 1 OF: 1