



# MWE Series

90mm Wall mounting Semicircular Multicolored LED Signal Light

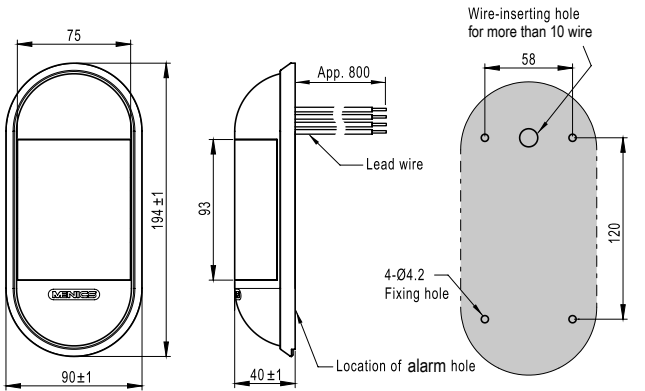
- 3 or 4 Colors (Red, Yellow, Green, Blue)
- Large LED Light-emitting Lens (93mm)
- Optional built-in Alarm
- IP65 (With Alarm: IP52)



## Ordering Information

MWE	C	F	-	3	00	-	RGB	M
	①	②		③	④		⑤	⑥
<b>Housing Color</b>	no mark	C						Cream
								Nickel-plated
<b>Light Style</b>		F						Steady/Flashing
		B						Steady/Flashing/Alarm
<b>LED Signals</b>				3				3 Colors
				4				4 Colors
<b>Power Supply</b>					00			12~24VDC
					FF			110~220VAC
<b>LED Colors</b>						RGB		Red, Green, Blue
						RYG		Red, Yellow, Green
						RYGB		Red, Yellow, Green, Blue
<b>Lens Color (Optional)</b>						No Mark		Clear Lens
						M		Milky Lens

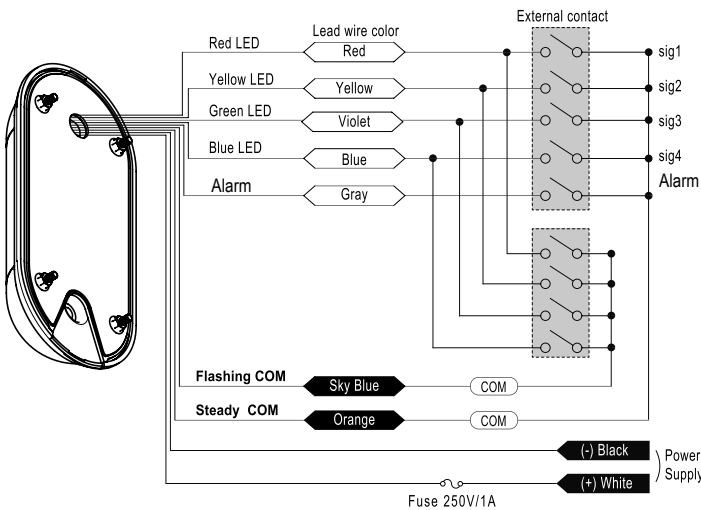
## Dimensions



※ If you want to get IP52 grade, be sure to place the alarm side down. (For alarm type product)

Mounting hole layout

## Wiring Diagram

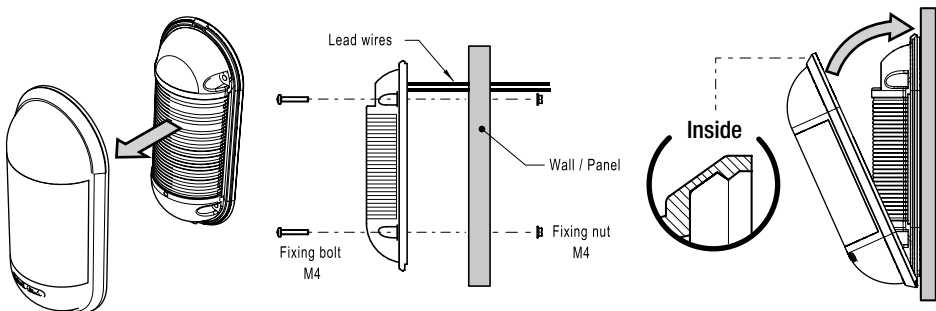


※ Pay attention to the polarity if it is DC-type.

## Specifications

Power Supply	12~24VDC	110~220VAC
Current Consumption	0.50A/ 0.60A(w/Alarm)	0.07A/0.07A (w/Alarm)
Flash Rate	12VDC	80±5 times per minute
	24AC/DC	85±5 times per minute
	110~220VAC	85±5 times per minute
Color of Front Lens	Standard Color-Clear, Option - Milky white	
Alarm Sound Level	75±5dB (at 1M, Sound Level is maximum)	
Wiring Method	Lead wire connection	
Vibration Resistance	0.75mm at 10~55Hz	
Dielectric strength	1000VAC 50/60Hz for 1min	
Insulation Resistance	100 MΩ minimum (500VDC mega)	
Ambient Temperature	-20~40°C	
Storage Temperature	-20~70°C	
Ambient Humidity	45~85% RH	
Recommended Wire Size	UL1007/22AWG	
Weight	AC type - About 300g, DC type - About 293g	
Degree of Protection	IP65 (IP52-Buzzer type)	

## How to install



## RGB LED Color Chart

Condition	Wiring	LED Color
1	Red wire	Red
2	Violet wire	Green
3	Blue wire	Blue
4	Red + Violet wire	Yellow
5	Red + Blue wire	Pink
6	Violet + Blue wire	Cyan
7	Red + Violet + Blue wire	White

\* 12~24VDC only