

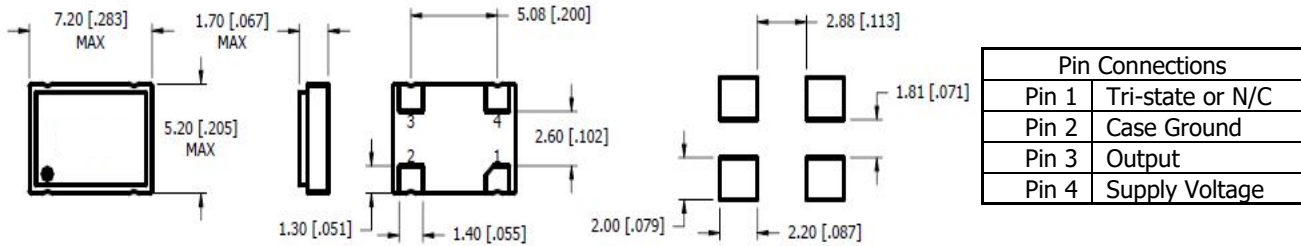
- **5 x 7 Ceramic SMD 4 Pads Oscillator**
- **Wide Frequency Range**
- **-55°C to +125°C Operation**
- **RoHS Compliant**



## Electrical Specifications:

Frequency Range	1.500MHZ to 156.520MHZ	
Freq Tolerance @ +25°C	±25ppm	
Freq Stability (Inclusive of Temp., Load, Voltage, and Aging)	(See Part Number Guide for Options)	
Operating Temp Range	(See Part Number Guide for Options)	
Storage Temp. Range	-55°C to +125°C	
Supply Voltage (Vdd)	+3.3 VDC ±5%	+5.0 VDC ±5%
Supply Current	1.500MHZ to 20.000MHZ	20 mA max
	21.000MHZ to 50.000MHZ	35 mA max
	51.000MHZ and above	60 mA max
Waveform	HCMOS	
Logic "0"	10% Vdd max	
Logic "1"	90% Vdd min	
Symmetry (50% of waveform)	(See Part Number Guide for Options)	
Load	5 TTL Gates or 30pF Load max	10 TTL Gates or 50pF Load max
Rise / Fall Time (20% to 80%)	6 nSec max	
Start Time	10 mSec max	
Tri-state Operation	Vih = 70% of Vdd min to Enable Output Vil = 30% max or grounded to Disable Output (High Impedance)	

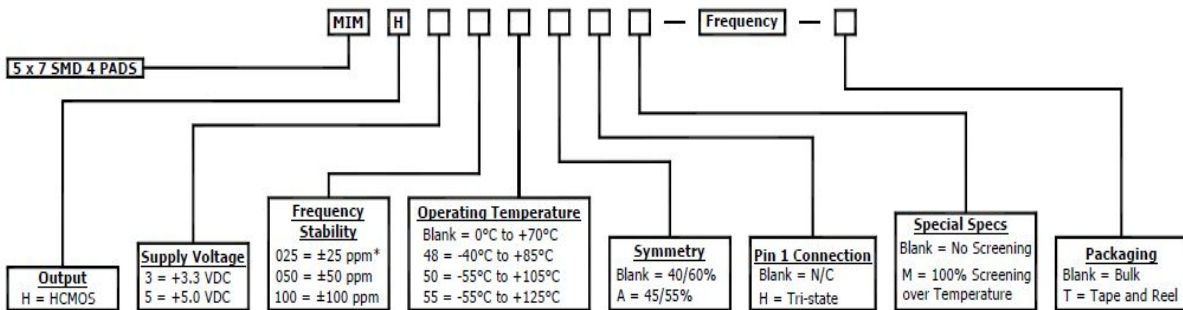
### Mechanical Dimensions:



Dimension in Brackets are in Inches  
 External Bypass Capacitor is recommended

Recommended Land Pattern

### Part Numbering Guide:



Please Consult with MMD Sales Department for any other Parameters or Options  
 \*±25 ppm between -40°C to +85°C only

### Tape & Reel Dimensions

