
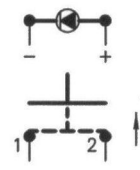
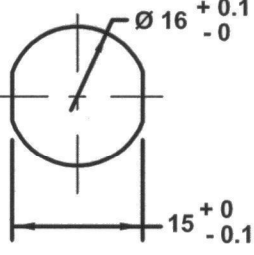


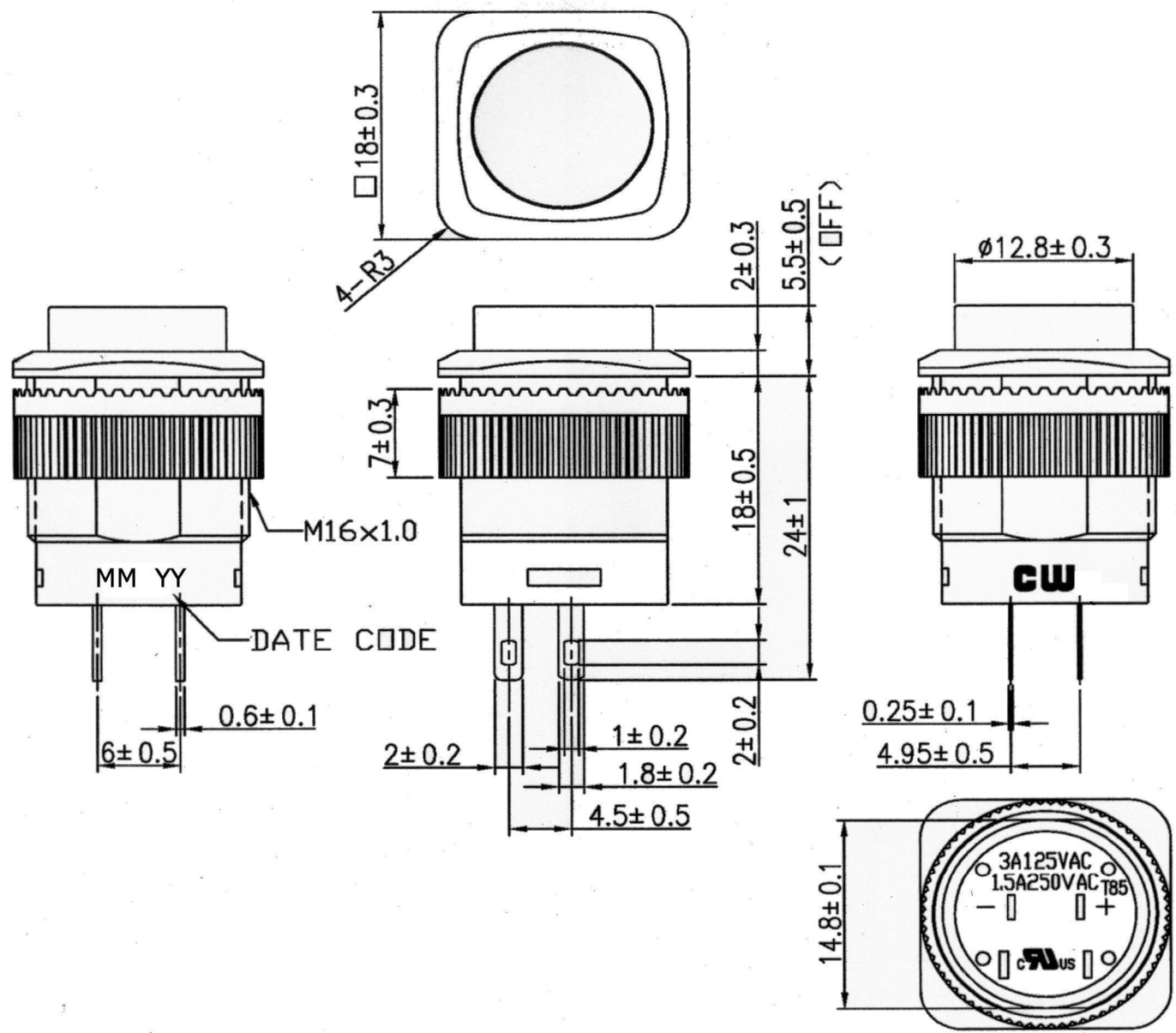
THIS INFORMATION IS CONFIDENTIAL AND PROPRIETARY TO CW INDUSTRIES INCORPORATED AND ITS AFFILIATES. IT MAY NOT BE DISCLOSED TO ANYONE, OTHER THAN CW INDUSTRIES PERSONNEL, WITHOUT WRITTEN AUTHORIZATION FROM CW INDUSTRIES INCORPORATED, SOUTHAMPTON, PENNSYLVANIA USA.

Rating	3A 125V, 1.5A 250V AC		Mounting Hole	
Contact Resistance	50m ohm max.			
Insulation Resistance	DC 500V 100M ohm min.			
Dielectric Strength	AC 1500V 1 minute			
Operating Temperature	-20°C ~ 85°C			
Switch Function	2P SPST OFF - (ON) LED Independent			
Lamp Type	LED 3VDC	No resistor		

Cut-Out 7mm thk. max.

BASE COLOR: Black  
BUTTON COLOR: Red

( ) = Momentary Function



RoHS Compliant

1 Added Switch Function & Lamp Type to chart. 4/23/12

**CW INDUSTRIES**  
Southampton, Pa. 18966  
Tel 215.355.7080/www.cwind.com

Date Drawn: 12/24/09	Rev. 1	Unit: mm	Checked By: <i>G. Gold</i>
Title: <b>PUSH BUTTON SWITCH</b>		CW P/N: <b>GPB508AL05BR</b>	