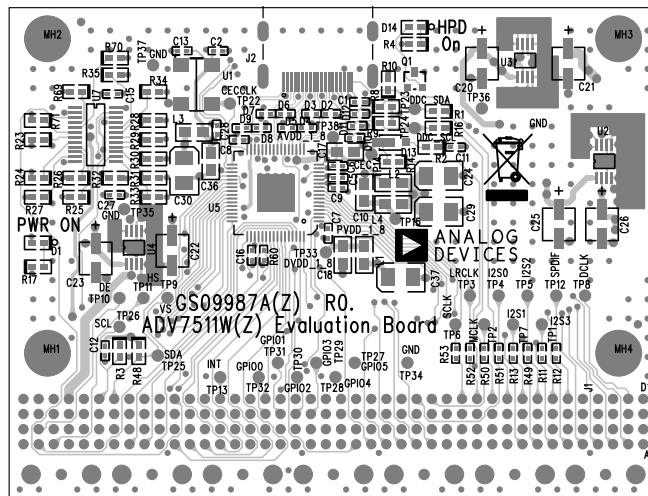


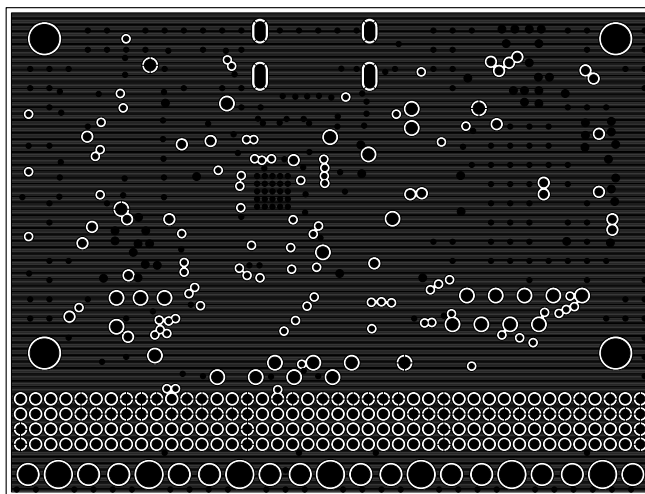
HAMILTON PCB DESIGN RALEIGH NC L1 COMP

Top Silkscreen



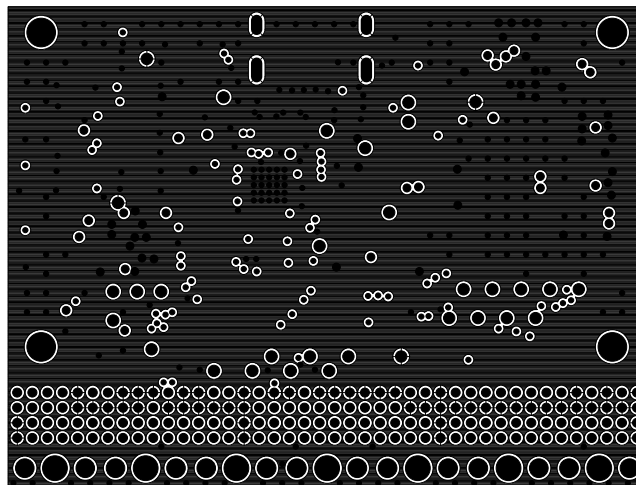
HAMILTON PCB DESIGN RALEIGH NC

L2 SIG



HAMILTON PCB DESIGN RALEIGH NC

L3 SIG



HAMILTON PCB DESIGN RALEIGH NC

L4 CIRCUIT

Bottom Silkscreen

