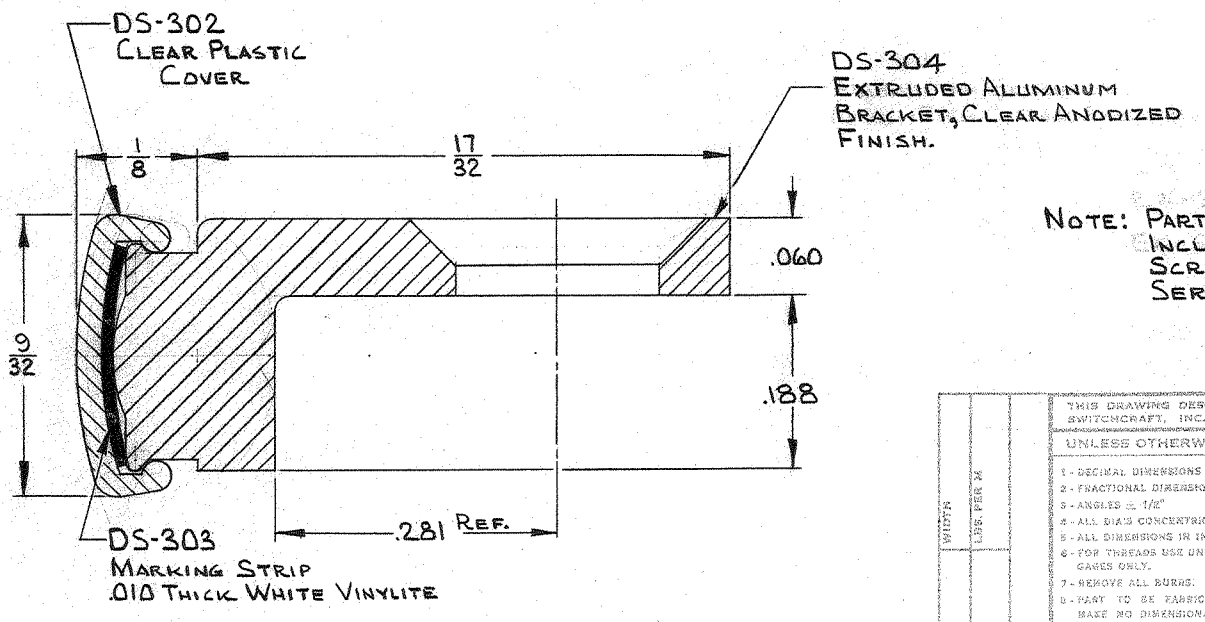
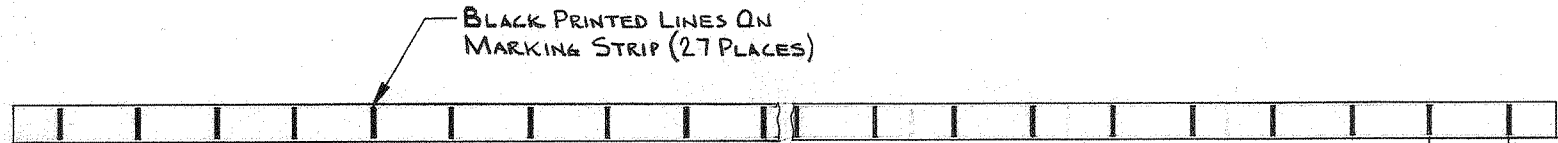
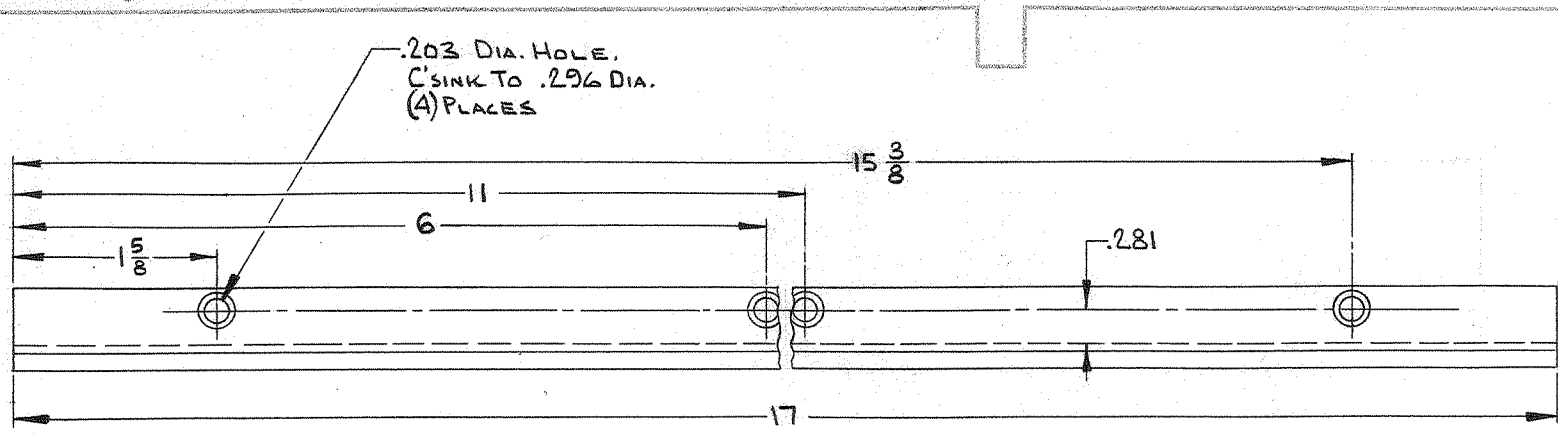


REV	ZONE	SYN	REVISION	BY	DATE
0A			NO. WAS DS-300		



NOTE: PART TO BE SHIPPED ASSEMBLED AS SHOWN & INCLUDES 4 #6-32x3/8 LG. SELF-TAPPING SCREWS FOR MOUNTING TO A 1400 DR 2600 SERIES JACK PANEL.

THIS DRAWING DESCRIBES A DESIGN CONSIDERED PROPRIETARY IN NATURE, DEVELOPED AND MANUFACTURED BY SWITCHCRAFT, INC. AND IS RELEASED ON A CONFIDENTIAL BASIS FOR IDENTIFICATION PURPOSE ONLY.					
UNLESS OTHERWISE SPECIFIED:					
1. DECIMAL DIMENSIONS ± .002	DRAWN BY	DATE	FINISH		
2. FRACTIONAL DIMENSIONS ± 1/64	FGD	11-26-68			
3. ANGLES ± 1/8°	CHECKED BY	DATE	PER FINISH SPEC. NO.		
4. ALL DIA'S CONCENTRIC WITHIN .005 T.I.N.	J.Y.	11-27-68	MATERIAL		
5. ALL DIMENSIONS IN INCHES	APPROVED BY	DATE	PER MAT. SPEC. NO.		
6. FOR THREADS USE UNIFIED PLUG AND RING GAGES ONLY.	R.V.	1-9-85	SCALE		
7. REMOVE ALL BURRS.	SCALE		1:1 & 8:1		
8. PART TO BE FABRICATED AS SPECIFIED. MAKE NO DIMENSIONAL ALLOWANCES FOR APPLIED FINISHES, I.E., PLATING, PAINTING, ETC.	FIRST USED ON				
9. HOLES ON SAME CENTERLINE MUST BE ALIGNED WITHIN ± .002	NAME	PART NO.	ISSUE		
DO NOT SCALE DRAWING	DESIGNATION STRIP DS-301		1		
	ASSEMBLY	SHEET	OF		

D

C

B

A