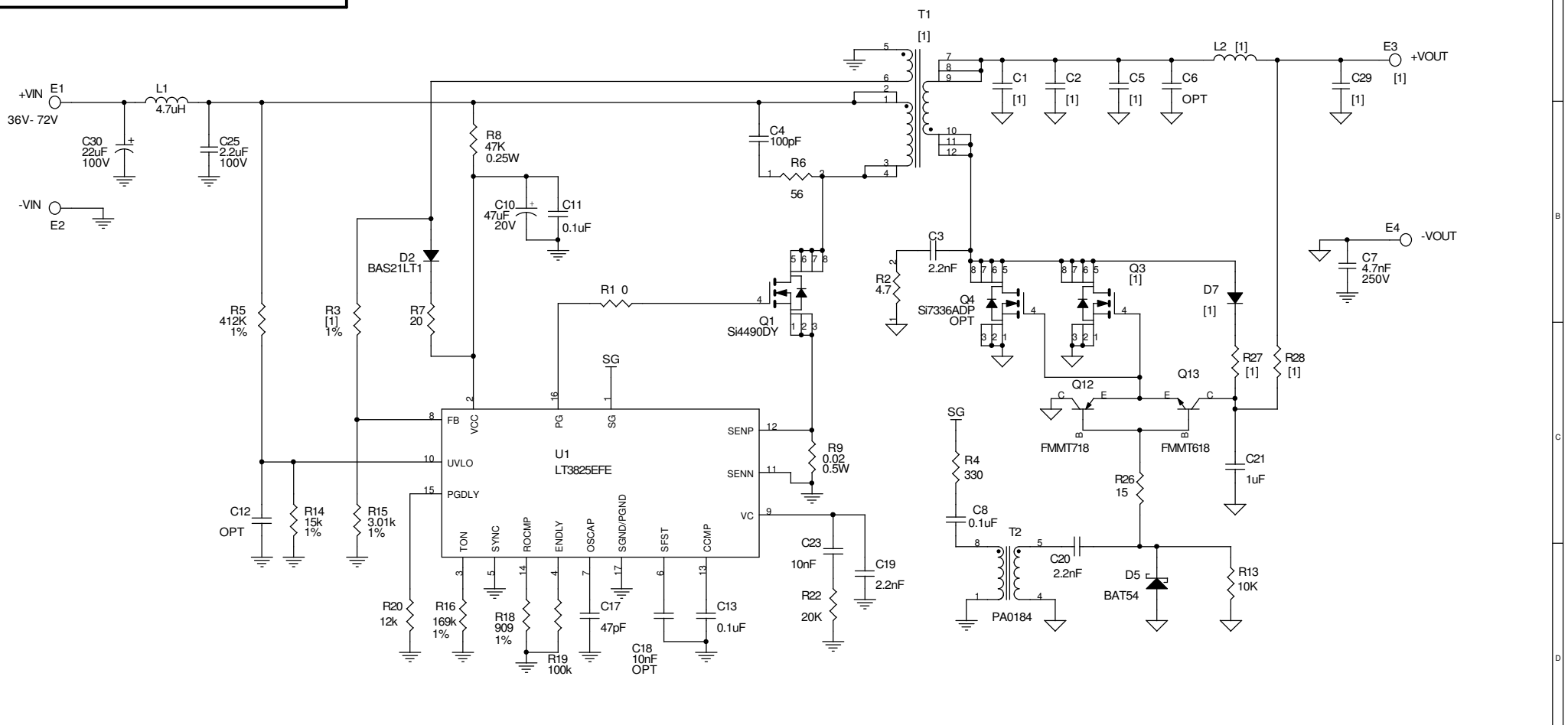



This circuit is proprietary to Linear Technology and supplied for use with Linear Technology parts.
Customer Notice: Linear Technology has made a best effort to design a circuit that meets customer-supplied specifications; however, it remains the customer's responsibility to verify proper and reliable operation in the actual application. Component substitution and printed circuit board layout may significantly affect circuit performance or reliability. Contact Linear Applications Engineering for assistance.

REVISION HISTORY				
ECO	REV	DESCRIPTION	DATE	APPROVED
	2	PROTO	10/18/05	



[1]

ASSY.	VOUT	IOUT	R3	R28	R27	D7	C29	C1,C2	C5	T1	L2	Q3
-A	3.3V	12A	28.7K	OPT	47	B0540W	470uF	47uF	47uF	PA1477NL	0.1uH	Si7336ADP
-B	5V	8A	42.2K	OPT	47	B0540W	470uF	47uF	47uF	TBD	0.1uH	Si7336ADP
-C	12V	4A	30.9K	0	OPT	OPT	47uF	22uF	OPT	TBD	1.0uH	Si4470EY

CONTRACT NO.		 LINEAR TECHNOLOGY 1630 McCarthy Blvd. Milpitas, CA 95035 Phone: (408)432-1900 Fax: (408)434-0507	
APPROVALS	DATE		
DRAWN mei	03/17/06	TITLE	
CHECKED		SCH, LT3825EFE, SYNCHRONOUS FLYBACK CONVERTER	
APPROVED			
ENGINEER		SIZE	CAGE CODE
DESIGNER		DWGNO	
		DC894A	
Tuesday, January 10, 2006	SCALE:	FILENAME: 894A-2.DSN	SHEET 1 OF 1