

# 32.768kHz Miniature TCXO

**ATXK-H14**

Request Samples



Check Inventory



ESD Sensitive



**2.15 x 1.35 x 1.1 mm**  
**RoHS/RoHS II Compliant**  
**MSL Level = 1**

## Features

- Miniature package size 2.15 x 1.35 x 1.1mm
- Frequency Stability options:  $\pm 3.8$ ppm over -10 to +60°C,  $\pm 5.0$ ppm over -40 to +85°C, &  $\pm 8.0$ ppm over -40 to +105°C
- Output waveform CMOS
- Low power consumption
- Supply Voltage options: 3.3V, 2.5V, 1.8V

## Applications

- Frequency reference for real time clocks (RTCs)
- Portable & wearable electronics
- Internet of Things (IoT)
- Consumer electronics
- Timing synchronization for networks, servers, hubs, routers & switches

## Electrical Specifications [Note 1]

Parameters	Min.	Typ.	Max.	Units	Notes
Frequency (fc)		32.768		kHz	
Operating Temperature Range	-40		+85	°C	<i>See Options</i>
Storage Temperature Range	-55		+105	°C	
<b>Frequency Stability <math>\Delta f/f_0</math> vs:</b>					
<b>Tolerance</b>	-2.5		+2.5	ppm	Reference to fc (at 25°C $\pm$ 2°C), Pre-reflow
<b>Tolerance</b>	-3.0		+3.0		Reference to fc (at 25°C $\pm$ 2°C), 24 hours after reflow, one time
<b>Temperature</b>	-5.0		+5.0		<i>See Options</i> Reference to frequency tolerance reading (fo) at 25°C $\pm$ 2°C
<b>Load Change</b>	-0.2		+0.2		Load $\pm$ 10%
<b>Supply Voltage Change</b>	-1.0		+1.0	ppm/V	
Aging	-3.0		+3.0	ppm	First year at +25°C $\pm$ 2°C
Timing error over time ( $\pm 5$ ppm over -40°C to +85°C)	$\pm 0.432$ sec/day; $\pm 12.960$ sec/month; $\pm 2.628$ minutes/year				Reference to frequency tolerance reading (fo) at 25°C $\pm$ 2°C
Supply Voltage (V <sub>DD</sub> ) <small>[Note 2]</small>	+3.135	+3.3	+3.465	V	Option E
	+2.375	+2.5	+2.625		Option C
	+1.71	+1.8	+1.89		Option D
Supply Current (I <sub>DD</sub> )		1.0	2.0	μA	Without load
Disable Current			1.0	μA	Pad 1 logic low
Start-up Time			0.5	sec	
Rise and Fall Time (Tr/Tf)			40	ns	20% to 80% of waveform, 15pF Load
Symmetry @ 1/2 V <sub>DD</sub>	45		55	%	
Output Voltage	V <sub>OH</sub>	90%V <sub>DD</sub>		V	
	V <sub>OL</sub>		10%V <sub>DD</sub>		
Output Load			15	pF	CMOS
Output Waveform	CMOS				
Tri-state function	“1” (VIH $\geq$ 0.8*VDD) or Open: Oscillation; “0” (VIL $<$ 0.2*VDD): No Oscillation/Hi Z			V	

**Note 1:** All measurements made over specified operating temperature range, at nominal V<sub>DD</sub>, and 15pf load, unless otherwise specified.

**Note 2:** Operational voltage range: 1.5V to 3.63V



5101 Hidden Creek Ln Spicewood TX 78669  
 Phone: 512-371-6159 | Fax: 512-351-8858

**REVISED: 06-13-22**

ABRACON IS  
 ISO9001-2015  
 CERTIFIED

www.abracon.com

# 32.768kHz Miniature TCXO

ATXK-H14

Request Samples



Check Inventory



ESD Sensitive



2.15 x 1.35 x 1.1 mm  
RoHS/RoHS II Compliant  
MSL Level = 1

## Absolute Maximum Ratings

Parameters	Symbol	Conditions	Rating	Unit
Supply voltage range (3)	V <sub>DD</sub>	Between V <sub>DD</sub> and V <sub>SS</sub>	-0.3 to +4.5	V
Input voltage range (3)	V <sub>IN</sub>	Between INH and V <sub>SS</sub>	-0.3 to V <sub>DD</sub> +0.3 (4)	V
Output voltage range (3)	V <sub>OUT</sub>	Output pad	-0.3 to V <sub>DD</sub> +0.3 (4)	V
Junction temperature (3)	T <sub>j</sub>	-	150	°C
Storage temperature range	T <sub>STG</sub>	-	-55 to +105	°C

**Note 3:** Absolute maximum ratings are the values that must not be exceeded. This product may suffer damage if any one of these parameter ratings is exceeded. Operation and characteristics are guaranteed only when the product is operated per the specification datasheet.

**Note 4:** V<sub>DD</sub> is a V<sub>DD</sub> value of recommended operating conditions.

# 32.768kHz Miniature TCXO

ATXK-H14

Request Samples



Check Inventory



ESD Sensitive



2.15 x 1.35 x 1.1 mm  
RoHS/RoHS II Compliant  
MSL Level = 1

## Part Identification

ATXK-H14-- 32.768kHz -  -

Vdd (V)
C: 2.5V±5%
D: 1.8V±5%
E: 3.3V±5%

Packaging
Blank: Bulk
T3: 3000pcs/reel

Stability over OTR
B38: ±3.8ppm over -10°C to +60°C
E50: ±5.0ppm over -40°C to +85°C
J80: ±8.0ppm over -40°C to +105°C

# 32.768kHz Miniature TCXO

**ATXK-H14**

Request Samples



Check Inventory

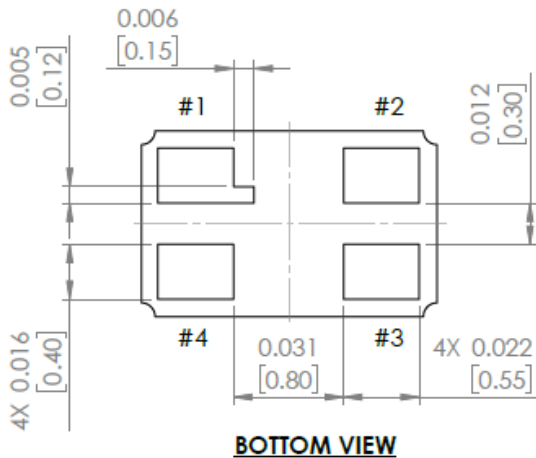
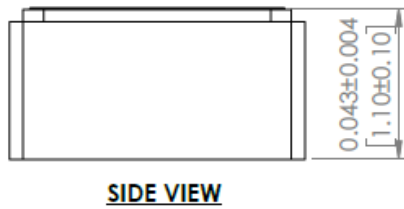
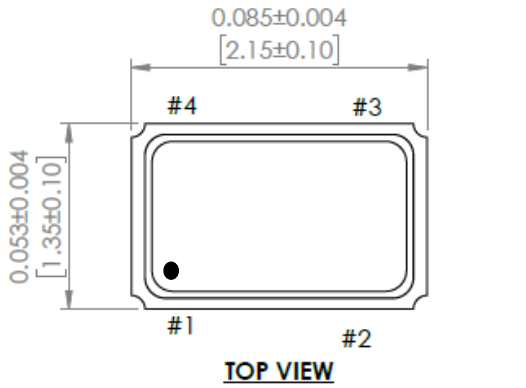


ESD Sensitive

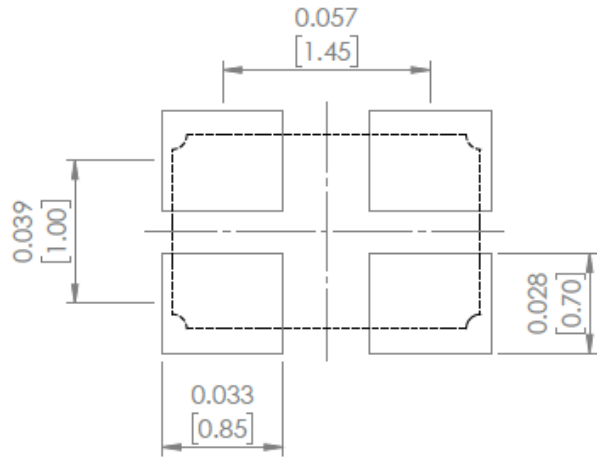


2.15 x 1.35 x 1.1 mm  
**RoHS/RoHS II Compliant**  
 MSL Level = 1

## Mechanical Dimensions



## Recommended Land Pattern



Pin #	Function
1	Output Enable
2	GND
3	Output
4	Vdd

Dimensions: inches (mm)

# 32.768kHz Miniature TCXO

ATXK-H14

Request Samples



Check Inventory



ESD Sensitive



2.15 x 1.35 x 1.1 mm  
RoHS/RoHS II Compliant  
MSL Level = 1

## Reflow Profile [JDEC J-STD-020]

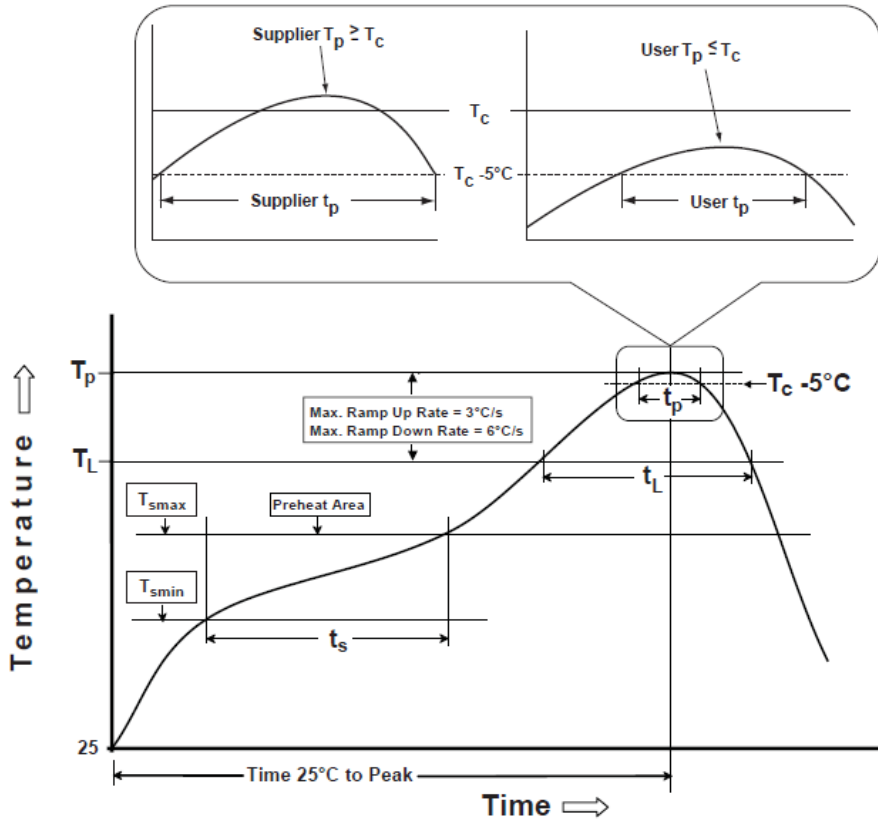


Table 1

SnPb Eutectic Process Classification Temperatures ( $T_c$ )		
Package Thickness	Volume $\text{mm}^3$ <350	Volume $\text{mm}^3$ $\geq$ 350
<2.5 mm	235 °C	220 °C
$\geq$ 2.5 mm	220 °C	220 °C

Table 2

Pb-Free Process Classification Temperatures ( $T_c$ )			
Package Thickness	Volume $\text{mm}^3$ <350	Volume $\text{mm}^3$ 350-2000	Volume $\text{mm}^3$ >2000
<1.6 mm	260 °C	260 °C	260 °C
1.6 mm - 2.5 mm	260 °C	250 °C	245 °C
>2.5 mm	250 °C	245 °C	245 °C

Profile Feature	Sn-Pb Eutectic Assembly	Pb-Free Assembly
Preheat / soak		
Temperature minimum ( $T_{smin}$ )	100°C	150°C
Temperature maximum ( $T_{smax}$ )	150°C	200°C
Time ( $T_{smin}$ to $T_{smax}$ ) ( $t_s$ )	60 - 120 sec.	60 - 120 sec.
Average ramp-up rate ( $T_{smax}$ to $T_p$ )	3°C/sec. max	3°C/sec. max
Liquidous temperature ( $T_L$ )	183°C	217°C
Time at liquidous ( $t_L$ )	60 - 150 sec.	60 - 150 sec.
Peak package body temperature ( $T_p$ )*	<i>see Table 1</i>	<i>see Table 2</i>
Time ( $t_p$ )** within 5°C of the specified classification temperature ( $T_c$ )	20 sec.	30 sec.
Ramp-down rate ( $T_p$ to $T_{smax}$ )	6°C/sec. max	6°C/sec. max
Time 25°C to peak temperature	6 min. max	8 min. max

\*Tolerance for peak profile temperature ( $T_p$ ) is defined as a supplier minimum and a user maximum.

\*\*Tolerance for time at peak profile temperature ( $t_p$ ) is defined as a supplier minimum and a user maximum.

# 32.768kHz Miniature TCXO

ATXK-H14

Request Samples



Check Inventory



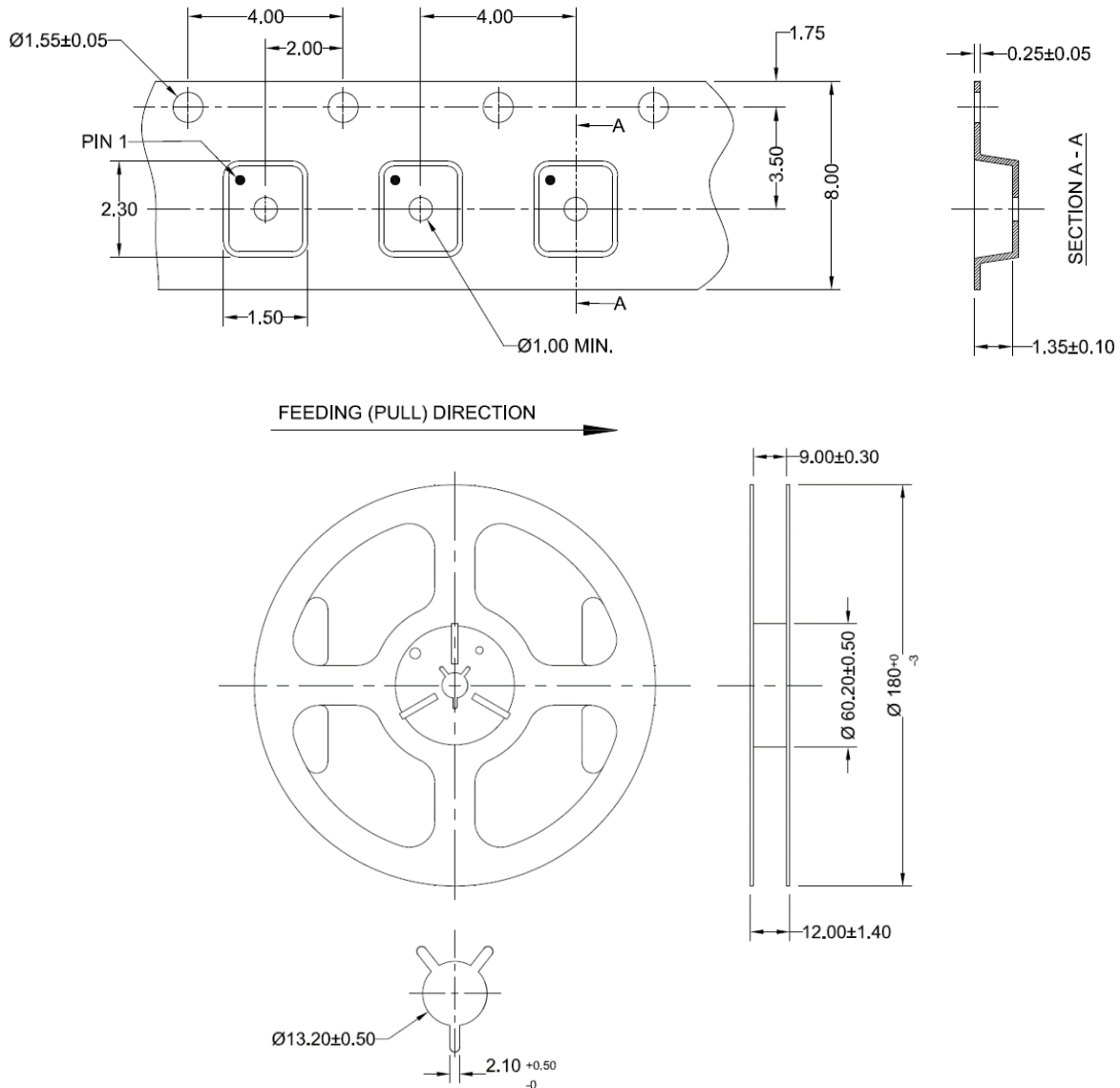
ESD Sensitive



2.15 x 1.35 x 1.1 mm  
RoHS/RoHS II Compliant  
MSL Level = 1

## Packaging

T3: 3,000pcs/reel



Dimensions: mm

**ATTENTION:** Abracon LLC's products are COTS – Commercial-Off-The-Shelf products; suitable for Commercial, Industrial and, where designated, Automotive Applications. Abracon's products are not specifically designed for Military, Aviation, Aerospace, Life-dependent Medical applications or any application requiring high reliability where component failure could result in loss of life and/or property. For applications requiring high reliability and/or presenting an extreme operating environment, written consent and authorization from Abracon LLC is required. Please contact Abracon LLC for more information.



5101 Hidden Creek Ln Spicewood TX 78669  
Phone: 512-371-6159 | Fax: 512-351-8858

www.abracon.com

REVISED: 06-13-22

ABRACON IS  
ISO9001-2015  
CERTIFIED