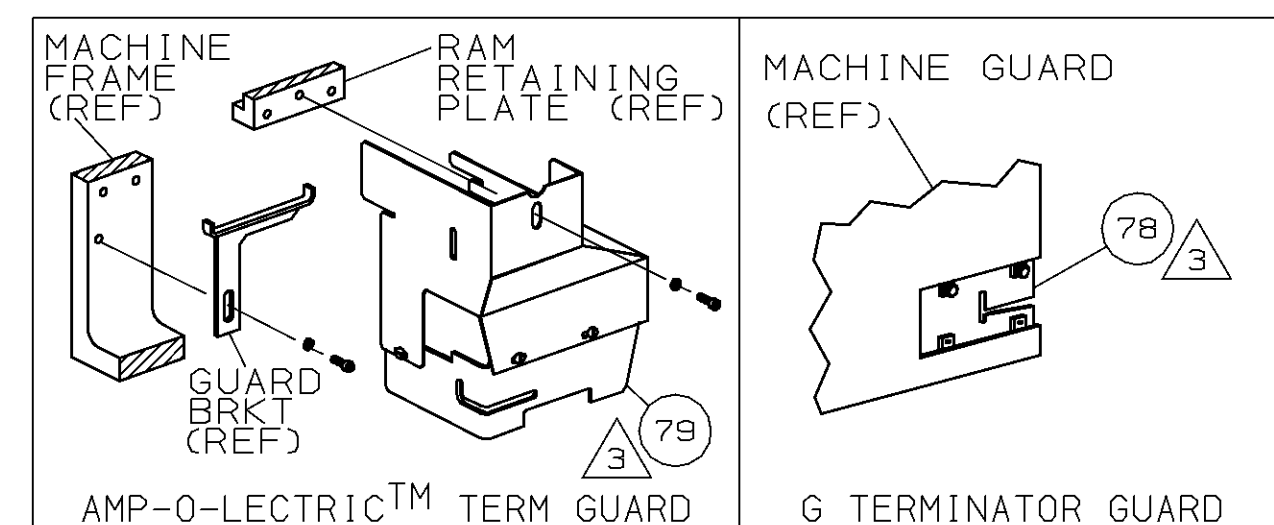
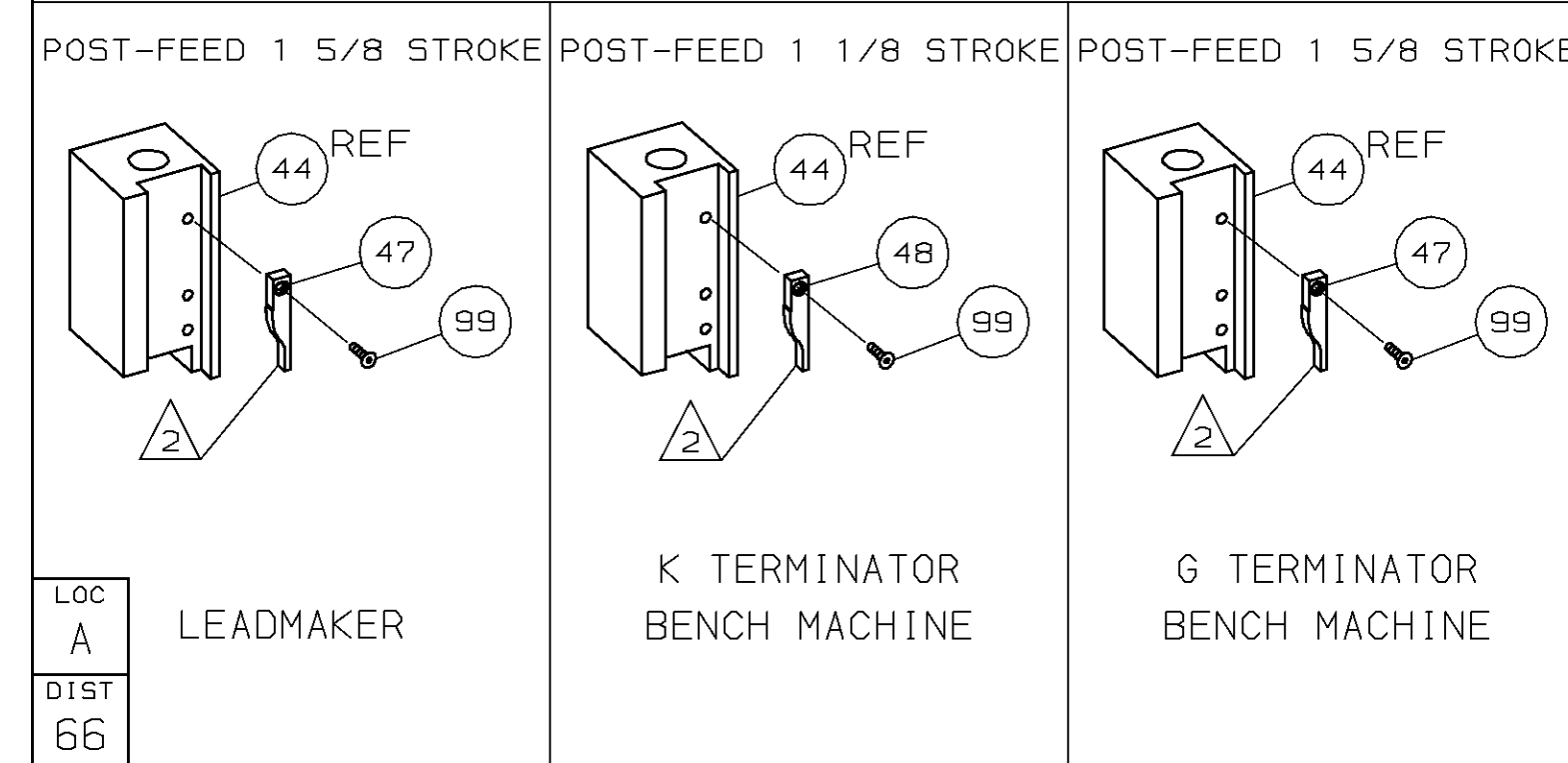
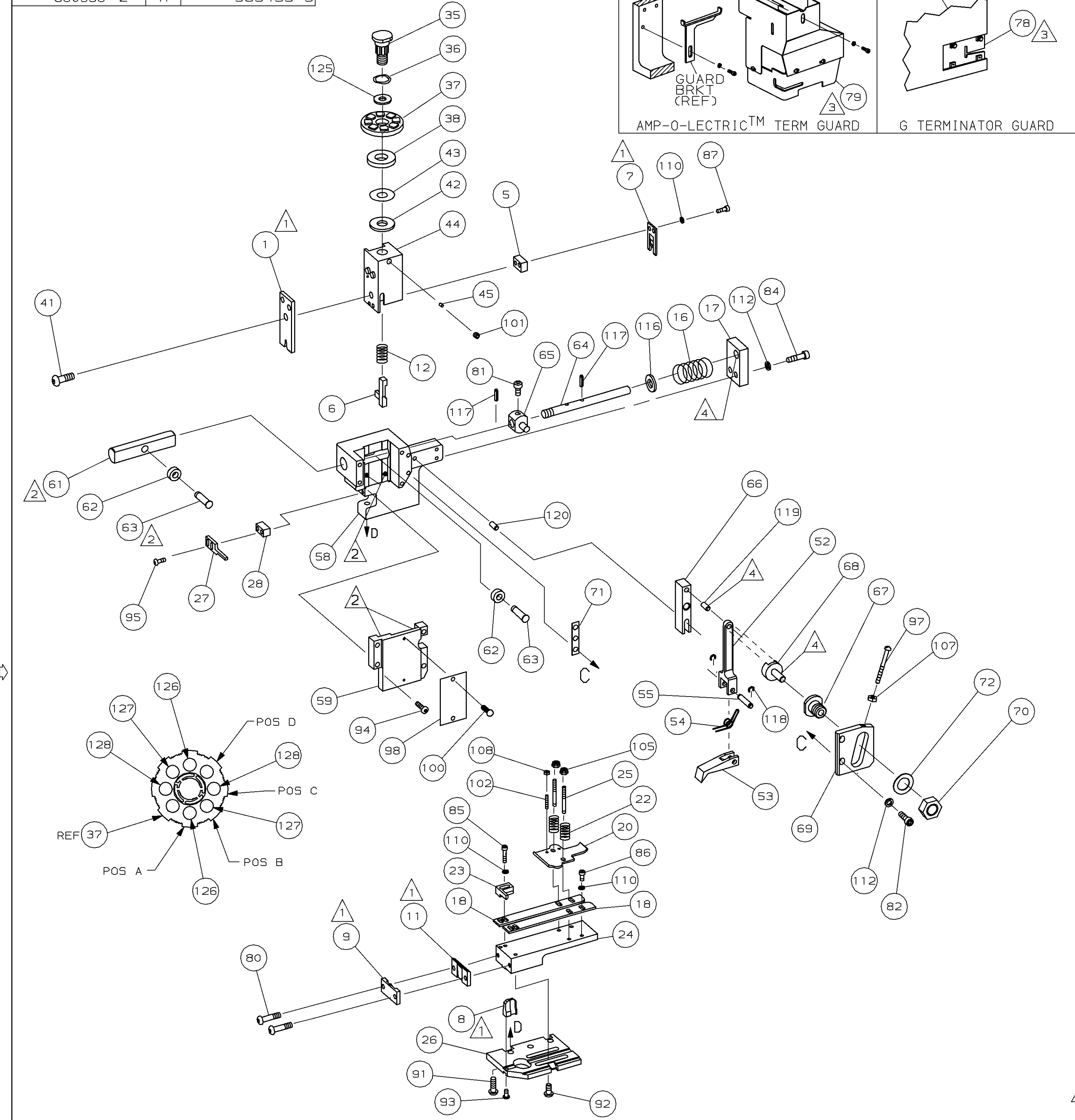


PART NUMBER	REV	FIRST USED
680358-1	A	122500-1
680358-2	A	565435-5



TERMINAL NAME: SPECIAL TERMINAL		63937		CRIMPING DATA		
PAD LTR	CRIMP HEIGHT	WIRE SIZE				
A	.050 ±.002 [1.27 ±0.05mm]	18				
B	.045 ±.002 [1.14 ±0.05mm]	20				
C	.042 ±.002 [1.07 ±0.05mm]	22				
D	NOT	USED				
CRIMP	SIZE	TYPE	RANGE			
WIRE	.070 [1.78mm]	F	22-18			
INSUL	-	-	-			
WIRE STRIP LENGTH	TERM APPL	SPEC	FEED	APPL INSTRUCTION	SET UP GAGE	LAYOUT
-	NONE		.717	408-8039	458638-1	L1792

-1		LEADMAKER & BENCH MODEL G		MECH POST FEED			
-2		BENCH MODEL K		MECH POST FEED			
REF	REF	-	A	22594-8	NUT, HEX	70	
REF	REF	-	B	240628-1	PLATE, ADJ	69	
REF	REF	-	B	240626-1	SHAFT, PIVOT	68	
REF	REF	-	B	240633-1	BUSHING	67	
REF	REF	-	A	455680-1	LEVER, INTERMEDIATE	66	
REF	REF	-	B	240629-1	BLOCK, PIVOT	65	
REF	REF	-	A	240632-2	SCR, ADJ	64	
REF	REF	-	B	240659-3	PIN, CAM ROLLER	63	
REF	REF	-	B	240658-1	CAM, ROLLER	62	
REF	REF	-	B	454398-1	ROD, FEED	61	
REF	REF	-	C	454220-1	CAP, RAM	59	
REF	REF	-	D	453736-1	HOUSING	58	
REF	REF	-	B	240624-1	PIN, FEED FINGER	55	
REF	REF	-	B	691499-1	SPRING, FEED FINGER	54	
REF	REF	-	B	240635-1	FINGER, FEED	53	
REF	REF	-	B	240634-1	LEVER, TERMINAL	52	
REF	REF	-	C	454220-1	CAP, RAM	59	
REF	REF	-	D	453736-1	HOUSING	58	
REF	REF	-	B	690501-3	CAM, POST FEED 1 1/8 ST	48	
REF	REF	-	B	690501-4	CAM, POST-FEED 1 5/8 ST	47	
REF	REF	-	A	690191-1	PLUG, NYLON	45	
REF	REF	-	C	455674-1	RAM	44	
REF	REF	-	A	690125-1	WASHER, LAMINATED	43	
REF	REF	-	A	690124-1	WASHER, RAM	42	
REF	REF	-	A	7-21002-9	BOLT, CRIMPER (5/16-24x1.00)	41	
REF	REF	-	A	690223-2	SPACER, INSULATION DISC	38	
REF	REF	-	D	354777-1	WIRE DISC, PLASTIC	37	
REF	REF	-	A	22480-5	WASHER, SPRING	36	
REF	REF	-	B	690212-1	POST, RAM	35	
REF	REF	-	D	458980-1	APPLICATOR, BASIC (SUB ASSY)	32	
REF	REF	-	B	4-690451-7	SPACER, STRIPPER	28	
REF	REF	-	A	240639-2	STRIPPER	27	
REF	REF	-	C	455676-1	PLATE, BASE	26	
REF	REF	-	A	22354-8	DRAG, STUD	25	
REF	REF	-	B	455678-1	PLATE, STRIP GUIDE	24	
REF	REF	-	C	240825-1	PLATE, STRIP HOLD DOWN	23	
REF	REF	-	A	4-22281-1	SPRING, DRAG	22	
REF	REF	-	A	454177-1	DRAG, STOCK	20	
REF	REF	-	C	454204-6	GUIDE, STRIP (FRONT)	18	
REF	REF	-	A	454178-1	GUIDE, FEED ROD	17	
REF	REF	-	A	4-22284-9	SPRING, FEED RETURN	16	
REF	REF	-	A	23846-1	SPRING, HOLD DOWN	12	
REF	REF	-	B	240644-1	PLATE, REAR SHEAR	11	
REF	REF	-	B	690482-6	PLATE, FRONT SHEAR	9	
REF	REF	-	D	4-240654-2	ANVIL	8	
REF	REF	-	B	690474-6	BLADE, SLUG	7	
REF	REF	-	D	1-455892-5	HOLD DOWN, TERMINAL	6	
REF	REF	-	C	2-240641-9	SPACER, SLUG BLADE	5	
REF	REF	-	C	456418-3	CRIMPER, WIRE	1	



- 1 RECOMMENDED SPARE PARTS.
- 2 GREASE LIGHTLY.
- 3 GUARD MUST BE IN PLACE WHEN OPERATING APPLICATOR IN A BENCH MACHINE.
- 4 LUBRICATE DAILY USING NO. 20 MACHINE OIL.
- 5. ITEMS WITH QTY OF REF SPECIFIED (EXCEPT ITEMS 78 AND 79) ARE USED ON ITEM 32.
- 6 ITEM 78 USED WITH G TERMINATOR ONLY.

QTY REQD PER ASSY	TERMINAL NAME	TERMINAL	WIRE STRIP LENGTH	TERM APPL	SPEC	FEED	APPL INSTRUCTION	SET UP GAGE	LAYOUT	ITEM NO
2	2	-	C	4-354779-2	PIN, WIRE DISC (.3200)C	129				129
2	2	-	C	3-354779-5	PIN, WIRE DISC (.3165)B	127				127
2	2	-	C	2-354779-4	PIN, WIRE DISC (.3110)A	126				126
1	1	-	A	986950-1	WASHER, FLAT PRECISION	125				125
1	1	-	A	217238-1	GENERAL INSTRUCTION PACKAGE	124				124
1	1	-	-	4088039	EF APPL INST 408-8039	123				123
REF	REF	-	A	1-21030-7	PIN, DOWEL (Ø.187x1.50)HSG	120				120
REF	REF	-	A	1-21030-1	PIN, DOWEL (Ø.187x.50)LEVER	119				119
REF	REF	-	A	21045-3	RING, RET "C" (Ø.187)FD PIN	118				118
REF	REF	-	A	5-21028-1	PIN, STD SPRING (Ø.12)FD ADJ ROD	117				117
REF	REF	-	A	21899-4	WASHER, FLAT (Ø5/16)SCR ADJ	116				116
REF	REF	-	A	21024-5	WASHER, LOCK (NO.10)FD ROD GDE	112				112
7	7	-	A	21024-4	WASHER, LOCK (NO.8)SHEAR BL	110				110
2	2	-	A	21018-4	NUT, HEX (4-40)DRAG	108				108
REF	REF	-	A	21018-5	NUT, HEX (6-32)FD ADJ PL	107				107
2	2	-	A	21022-2	NUT, HEX SL (8-32)DRAG STUD	105				105
2	2	-	A	2-21006-6	SCR, SKT SET (4-40x.62)DRAG	102				102
1	1	-	A	21009-2	SCR, SKT SET (1/4-20x.25)RAM	101				101
2	2	-	A	21017-2	SCR, DRIVE (#2x.19) ID PLATE	100				100
1	1	-	A	1-21002-7	SCR, BHC (6-32x.38)CAM	99				99
1	1	-	B	461264-1	PLATE, IDENTIFICATION	98				98
REF	REF	-	A	6-23715-5	SCR, PAN HD (6-32x1.50)FEED ADJ	97				97
2	2	-	A	2-21002-2	SCR, BHC (8-32x.50)STRIPPER	95				95
REF	REF	-	A	2-21002-9	SCR, BHC (10-32x.75)HSG CAP	94				94
1	1	-	A	22733-8	SCR, BHC (8-32x.38 LW)ANVIL	93				93
4	4	-	A	3-21002-3	SCR, BHC (1/4-20x.50)ST GD PL	92				92
REF	REF	-	A	2-22733-8	SCR, BHC (1/4-20x.62)BASE PL	91				91
REF	REF	-	A	3-21000-6	SCR, SHC (10-32x.62)FEED ADJ PL	82				82
REF	REF	-	A	3-21000-4	SCR, SHC (10-32x.38)PIVOT BLOCK	81				81
2	2	-	A	3-21002-0	SCR, BHC (10-32x.88)SHEAR PL	80				80
REF	REF	-	A	455745-1	GUARD, WINDOW	79				79
REF	REF	-	A	679532-1	INSERT, GUARD	78				78
REF	REF	-	A	458109-1	WASHER, FLAT (SPECIAL)	72				72
REF	REF	-	A	690517-1	SPACER	71				71

QTY REQD PER ASSY	U/M	DWG SIZE	PART NO	DESCRIPTION	ITEM NO	
-2	-1	U/M	DWG SIZE	PART NO	DESCRIPTION	ITEM NO

QTY REQD PER ASSY		PARTS LIST		REVISION OF EACH ASSY NO (WHEN BLANK, USE DWG REVISION)		
-2	-1	U/M	DWG SIZE	PART NO	DESCRIPTION	ITEM NO