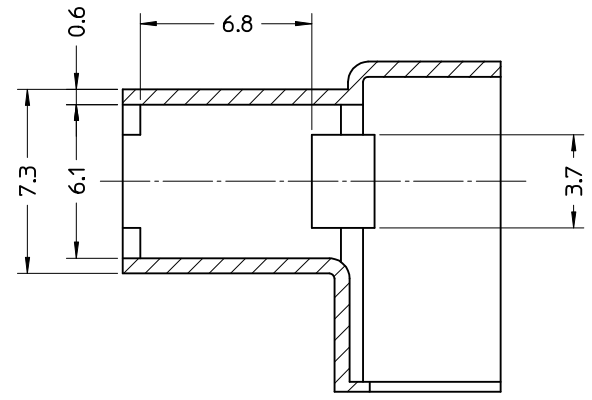


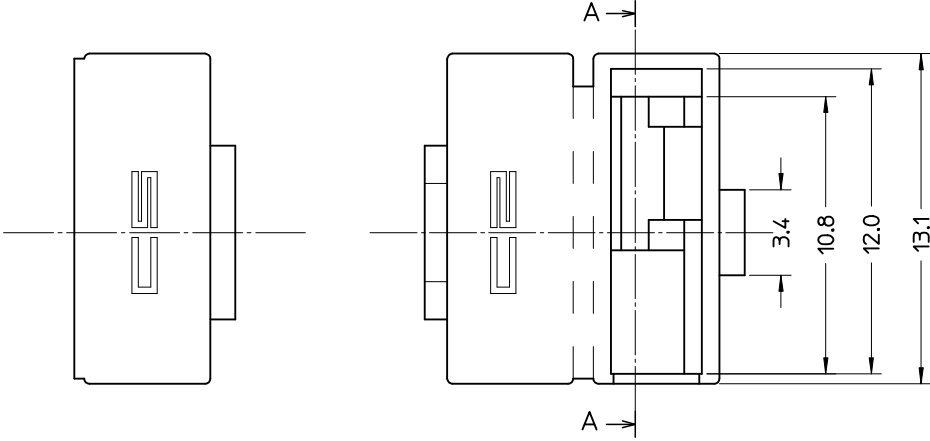
P/N	MATERIAL/COLOR
94548-0111	NYLON 6.6 V2 BLACK

PACKAGING (SPQ): 20.000 pcs Loose in plastic bag, inside carton box.
 Plastic bags are sealed and contain water for part moisturizing (according to AS-45499-001 norm).
 Customer shall moisturize parts (according to AS-45499-001 norm) in case partial bags are re-sealed at their site.

SEC. A-A



HOUSING CON SPORTELLLO CHIUSO
HOUSING WITH CLOSED DOOR



Std. Descr.: HSG FOR 4.8 F TERM RA BLACK

EC NO: Z2018-0006 DRWN:LSANTESS 2017/08/02 CHKD:LSANTESS 2017/08/03 APPR:PZANGIROLAMI 2017/08/03	QUALITY SYMBOLS = 0 = 0	GENERAL TOLERANCES (UNLESS SPECIFIED)		DIMENSION STYLE MM ONLY		SCALE 5:1	DESIGN UNITS METRIC	FIRST ANGLE PROJECTION
		4 PLACES ± --- ± ---	DRAWN BY LSANTESS	DATE 2002/05/16	TITLE HOUSING 1 CKT FOR 4.8 FLAG TERMINAL			
		3 PLACES ± --- ± ---	CHECKED BY MTESTAGU	DATE 2002/05/16	MOLEX INCORPORATED			
		2 PLACES ± --- ± ---	APPROVED BY GZUIN	DATE 2002/05/16	MATERIAL NO. 94548-0111	DOCUMENT NO. SD-94548-001	SHEET NO. 1 OF 1	
1 PLACE ± 0.2 ± ---	ANGULAR ± 2 °		DRAFT WHERE APPLICABLE MUST REMAIN WITHIN DIMENSIONS			THIS DRAWING CONTAINS INFORMATION THAT IS PROPRIETARY TO MOLEX INCORPORATED AND SHOULD NOT BE USED WITHOUT WRITTEN PERMISSION		
REV B1	DESCRIPTION	SIZE A3						