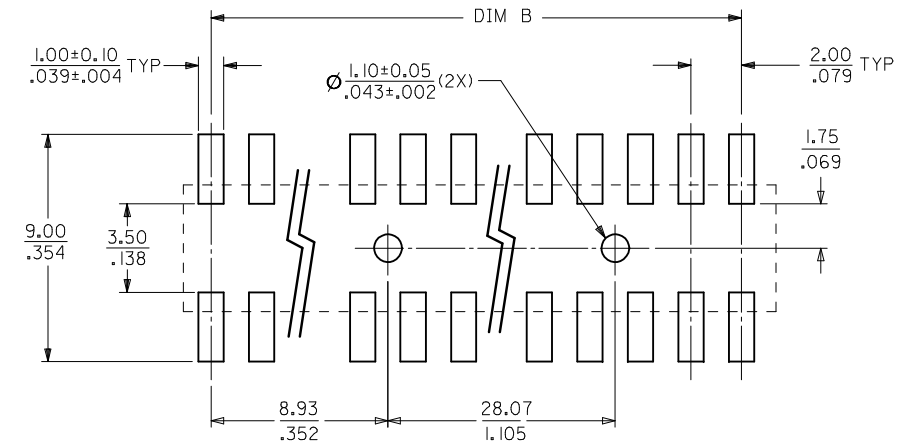
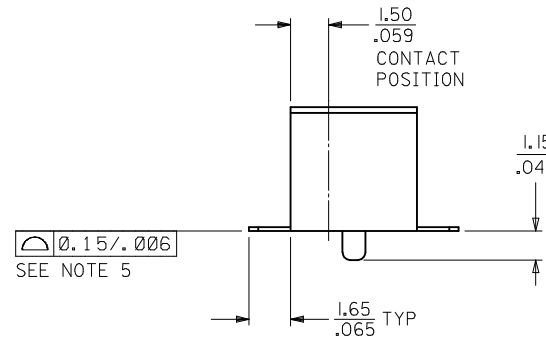
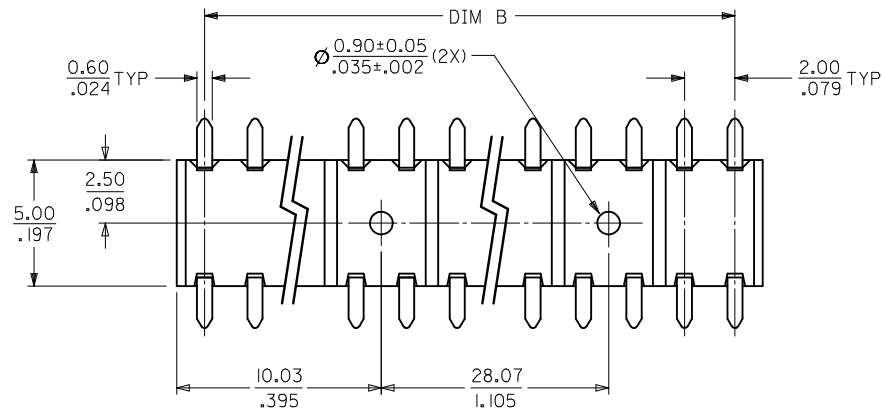
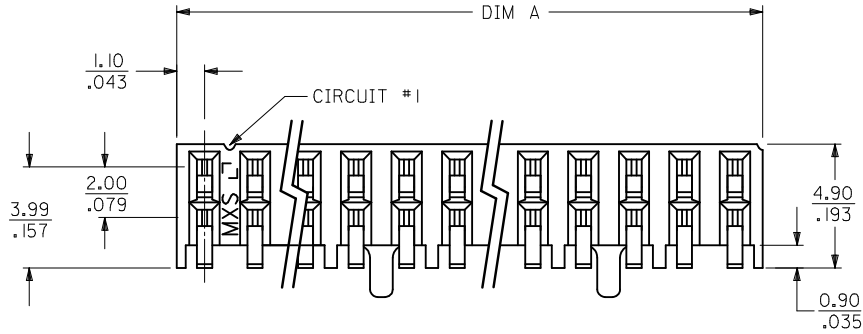


PART NO.	CKT. SIZE	DIM A	DIM B
87368-4423	44	44.20/1.740	42.00/1.654



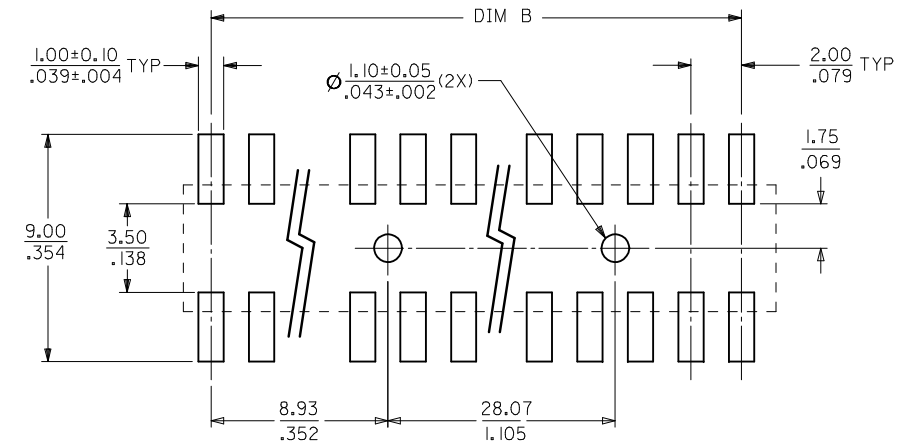
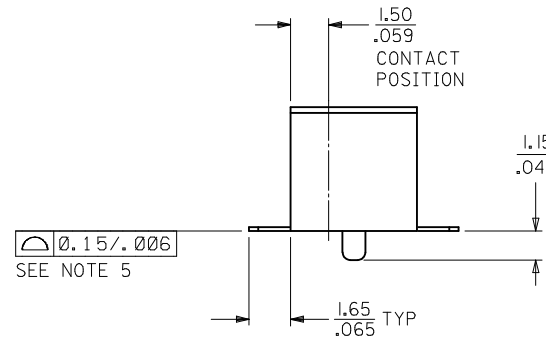
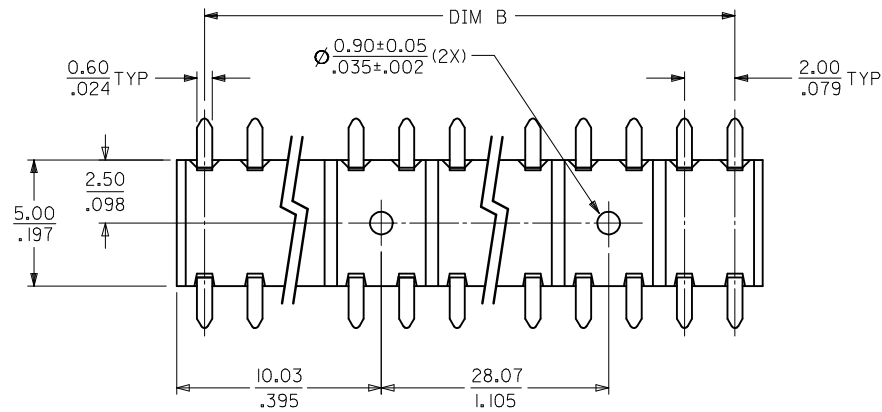
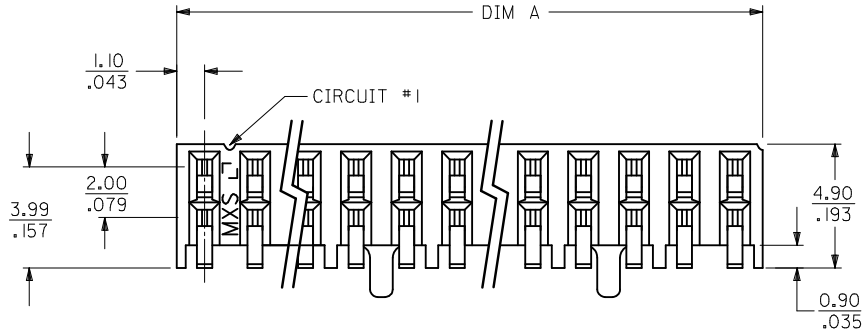
**RECOMMENDED P.C. BOARD LAYOUT
AND THICKNESS OF 1.60±0.10 MM**

NOTE:

- MATERIAL : HOUSING - NYLON, GLASS FILLED, UL94 V-0
COLOR : BLACK
TERMINAL - PHOSPHOR BRONZE
- FINISHES : TERMINAL - 0.38um/15uin SELECTIVE GOLD
IN THE CONTACT AREA
2.54um/100uin MIN. SELECTIVE TIN
IN THE PC TAIL AREA
BOTH OVER 1.27um/50uin MIN. NICKEL OVERALL
- PRODUCT SPECIFICATION : PS-87264
- COPLANARITY OF SOLDER TAIL IS TO BE MEASURED BY RESTING THE PART ON A FLAT GAUGE SURFACE.
- PART MATEABLE TO ALL MILLI-GRID HEADERS WITH MATING PIN LENGTH BETWEEN 2.50mm AND 4.20mm
- PARTS SHALL BE PACKED IN MOISTURE BARRIER BAG.

ADD NOTE 6. EC NO: S2008-0335 DRWN:SKANG 2007/11/27 CHKD:ATSEE 2007/11/30 APPR:MLONG 2007/12/03	QUALITY SYMBOLS ▽=0 ◻=0	GENERAL TOLERANCES (UNLESS SPECIFIED)		DIMENSION STYLE MM/IN		SCALE N/T	DESIGN UNITS METRIC	THIRD ANGLE PROJECTION			
		4 PLACES ± --- ± --- 3 PLACES ± --- ± .008 2 PLACES ± 0.20 ± --- 1 PLACE ± --- ± ---	mm INCH	DRAWN BY MLONG	DATE 1999/07/16	TITLE MGRID SIDE ENTRY RECEPTACLE SMT					
		ANGULAR ± 3 °		CHECKED BY PTLIM	DATE 2004/03/18	MOLEX INCORPORATED					
		DRAFT WHERE APPLICABLE MUST REMAIN WITHIN DIMENSIONS		APPROVED BY SKTOH	DATE 2004/03/15	MATERIAL NO. SEE TABLE	DOCUMENT NO. SD-87368-003	SHEET NO. 1 OF 1			

PART NO.	CKT. SIZE	DIM A	DIM B
87368-4423	44	44.20/1.740	42.00/1.654



**RECOMMENDED P.C. BOARD LAYOUT
AND THICKNESS OF 1.60±0.10 MM**

NOTE:

- MATERIAL : HOUSING - NYLON, GLASS FILLED, UL94 V-0
COLOR : BLACK
TERMINAL - PHOSPHOR BRONZE
- FINISHES : TERMINAL - 0.38um/15uin SELECTIVE GOLD
IN THE CONTACT AREA
2.54um/100uin MIN. SELECTIVE TIN
IN THE PC TAIL AREA
BOTH OVER 1.27um/50uin MIN. NICKEL OVERALL
- PRODUCT SPECIFICATION : PS-87264
- COPLANARITY OF SOLDER TAIL IS TO BE MEASURED BY RESTING THE PART ON A FLAT GAUGE SURFACE.
- PART MATEABLE TO ALL MILLI-GRID HEADERS WITH MATING PIN LENGTH BETWEEN 2.50mm AND 4.20mm
- PARTS SHALL BE PACKED IN MOISTURE BARRIER BAG.

ADD NOTE 6. EC NO: S2008-0335 DRWN:SKANG 2007/11/27 CHKD:ATSEE 2007/11/30 APPR:MLONG 2007/12/03	QUALITY SYMBOLS ▽=0 ◻=0	GENERAL TOLERANCES (UNLESS SPECIFIED)		DIMENSION STYLE MM/IN		SCALE N75	DESIGN UNITS METRIC	THIRD ANGLE PROJECTION																	
		<table border="1"> <tr> <th></th> <th>mm</th> <th>INCH</th> </tr> <tr> <td>4 PLACES</td> <td>± ---</td> <td>± ---</td> </tr> <tr> <td>3 PLACES</td> <td>± ---</td> <td>± .008</td> </tr> <tr> <td>2 PLACES</td> <td>± 0.20</td> <td>± ---</td> </tr> <tr> <td>1 PLACE</td> <td>± ---</td> <td>± ---</td> </tr> </table>			mm	INCH	4 PLACES	± ---	± ---	3 PLACES	± ---	± .008	2 PLACES	± 0.20	± ---	1 PLACE	± ---	± ---	DRAWN BY MLONG		DATE 1999/07/16	TITLE MGRID SIDE ENTRY RECEPTACLE SMT			
			mm	INCH																					
		4 PLACES	± ---	± ---																					
3 PLACES	± ---	± .008																							
2 PLACES	± 0.20	± ---																							
1 PLACE	± ---	± ---																							
ANGULAR ± 3 °		APPROVED BY SKTOH		DATE 2004/03/15	MOLEX INCORPORATED																				
DRAFT WHERE APPLICABLE MUST REMAIN WITHIN DIMENSIONS		SEE TABLE		MATERIAL NO.		DOCUMENT NO. SD-87368-003		SHEET NO. 1 OF 1																	