

**MATERIALS AND FINISHES:**

**BODY: BERYLLIUM COPPER**  
**OPTION 1:**  
 PLATED GOLD (30μ-in MIN)  
 OVER NICKEL (100μ-in MIN)  
**OPTION 2:**  
 PLATED GOLD (10μ-in MIN)  
 OVER NICKEL (100μ-in MIN)  
**OPTION 3:**  
 PLATED GOLD (8μ-in MIN)  
 OVER NICKEL PHOSPHOR (80μ-in MIN)  
 OVER COPPER (20μ-in MIN)

**CONTACT: BERYLLIUM COPPER**  
**OPTION 1:**  
 PLATED GOLD (30μ-in MIN)  
 OVER NICKEL (100μ-in MIN)  
**OPTION 3:**  
 PLATED GOLD (8μ-in MIN)  
 OVER NICKEL PHOSPHOR (80μ-in MIN)  
 OVER COPPER (20μ-in MIN)

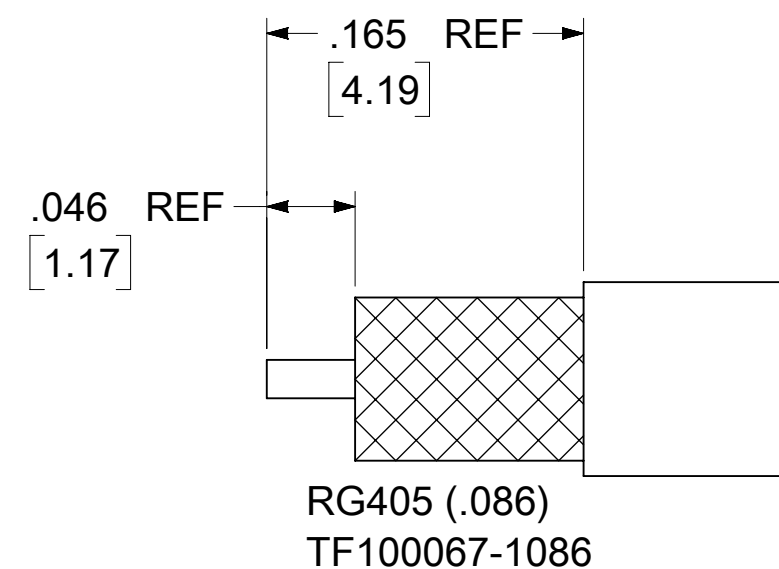
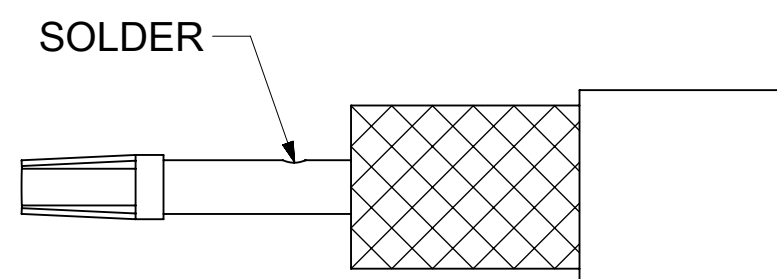
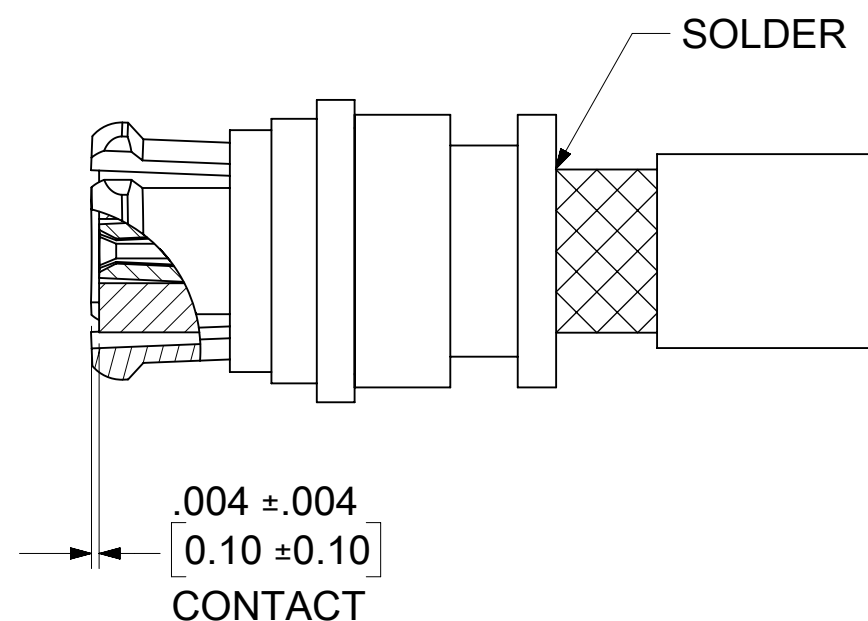
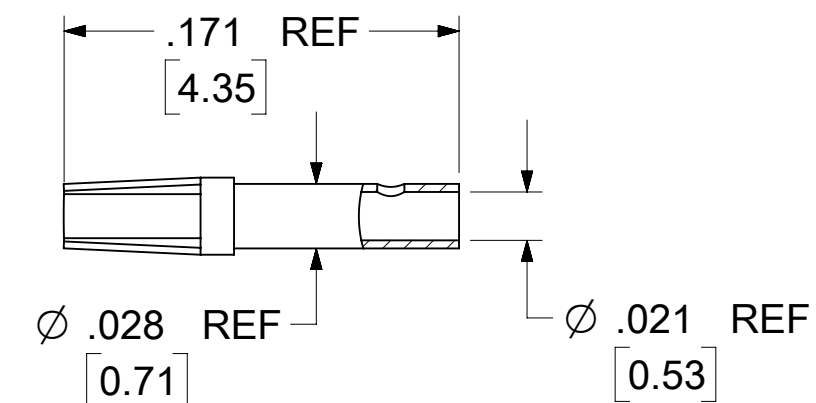
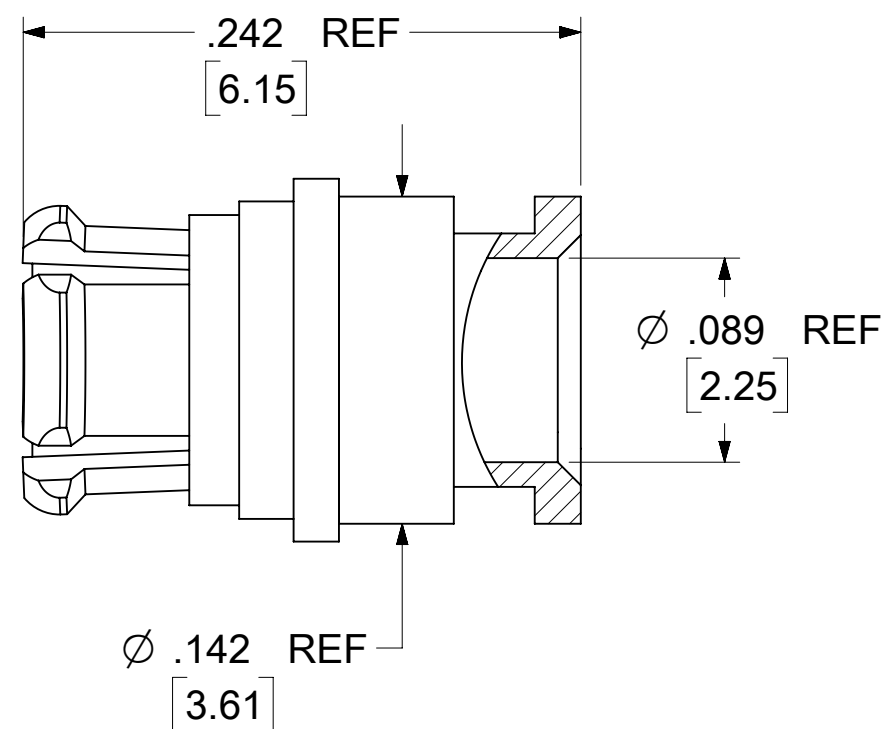
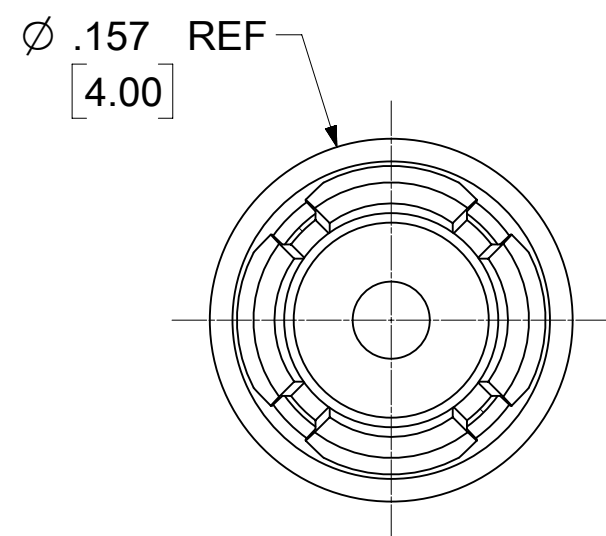
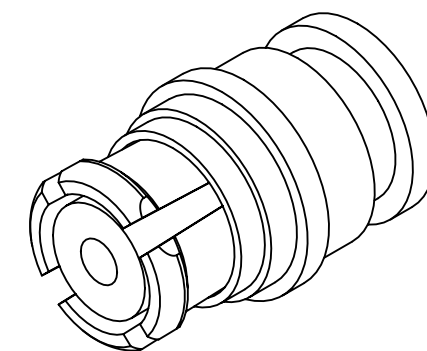
**INSULATOR: PTFE**

**EMI RING: BRASS**

**OPTION 1:**  
 PLATED GOLD (30μ-in MIN)  
 OVER NICKEL (100μ-in MIN)  
**OPTION 3:**  
 PLATED GOLD (8μ-in MIN)  
 OVER NICKEL PHOSPHOR (80μ-in MIN)  
 OVER COPPER (20μ-in MIN)

**ELECTRICAL CHARACTERISTICS:**

**NOMINAL IMPEDANCE: 50Ω**  
**FREQUENCY RANGE: DC - 26.5 GHz**  
**VSWR: 1.20 MAX DC - 15.0 GHz**  
 1.50 MAX 15.0 GHz - 26.5 GHz



**RECOMMENDED STRIP DIMENSIONS**

**LABEL FORMAT FOR 73415-3741**  
  
 PART NUMBER: 73415-3740  
 ORDER NUMBER: 73415-3741  
 MOLEX  
 DATE: YYWW

**LABEL FORMAT FOR 73415-3744**  
  
 PART NUMBER: 73415-3743  
 ORDER NUMBER: 73415-3744  
 MOLEX  
 DATE: YYWW

73415-3744	OPTION 3	OPTION 3	OPTION 3	73415-3743 ONE PER BAG	895420470
73415-3743				73415-3743 TRAY	895420040
73415-3742	OPTION 2			73415-3742 TRAY	
73415-3741	OPTION 1	OPTION 1	OPTION 1	73415-3740 ONE PER BAG	895420500
73415-3740				73415-3740 TRAY	895420040
PART NO.	BODY	CONTACT	EMI RING	DESCRIPTION	PACKAGING SPEC

PS-89675-3320	ELEC/MECH PERFORMANCE
MIL-STD-348B. FIG. 326.1	INTERFACE
SPECIFICATION	DESCRIPTION

DOCUMENT STATUS	P1	RELEASE DATE	2022/08/29 06:23:05
-----------------	----	--------------	---------------------

THIS DRAWING CONTAINS INFORMATION THAT IS PROPRIETARY TO MOLEX ELECTRONIC TECHNOLOGIES, LLC AND SHOULD NOT BE USED WITHOUT WRITTEN PERMISSION											
DIMENSION UNITS: INCH/MM		SCALE: NTS		CURRENT REV DESC: ADD 73415-3744 PER EWR #15321-B						<b>molex</b>	
GENERAL TOLERANCES (UNLESS SPECIFIED)				EC NO: 719077							
ANGULAR TOL ± 2.0°				4 PLACES ±		DRWN: RYEH		2022/08/12		SMP JACK STR FOR RG405 CABLE SMP-JC EWR-1350	
				3 PLACES ±		CHK'D: YCHENG		2022/08/29			
				2 PLACES ± 0.25		APPR: YCHENG		2022/08/29		PRODUCT CUSTOMER DRAWING	
				1 PLACE ±		INITIAL REVISION:					
				0 PLACES ±		DRWN: RFC_PLMIMP		2017/12/28		DOCUMENT NUMBER: SD-73415-374	
						APPR: JWIENER		2010/09/30			
DRAFT WHERE APPLICABLE MUST REMAIN WITHIN DIMENSIONS				THIRD ANGLE PROJECTION		DRAWING: C-SIZE		SERIES: 73415		DOC PART: 001	
										REVISION: C4	
										SHEET NUMBER: 1 OF 1	