

1. 製品名称／PRODUCT NAME : 0.5 FPC CONN. E/O H=1.3 EMBOSSED TAPE PACKAGING  
 製品番号／PART NUMBER : 5 1 2 9 6 - \* \* 3 3  
 5 1 2 9 6 - \* \* 9 3  
 5 1 2 9 6 - \* \* 9 4  
 5 1 2 9 6 - 9 6 \* \*  
 ( \* \* は極数を示す )  
 ( \* \* IS CIRCUITS SIZE )

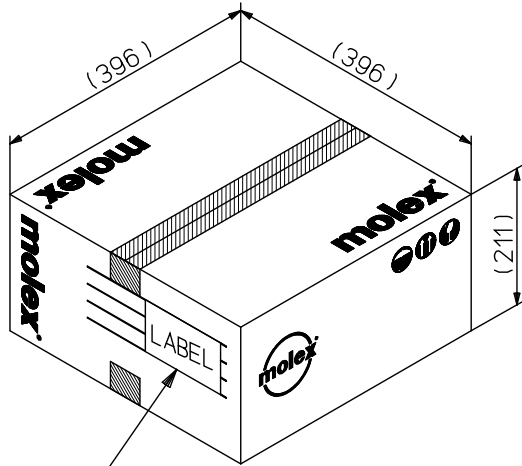
2. 標準梱包数／STANDARD PACKAGING QUANTITY

極数 CKT. SIZE	キャリア テープ幅 (mm) CARRIER TAPE WIDTH (mm)	1 リール中の製品数 QTY. PER REEL	外装カートン SHIPPING CARTON	
			梱包リール数 NUMBER OF REELS	製品数 QUANTITY
8	16	3,000	8 (4)	24,000 (12,000)
12	24	3,000	6 (3)	18,000 (9,000)
14				
18				
34	32	3,000	4 (2)	12,000 (6,000)
40	44	3,000	3 (1)	9,000 (3,000)
45				
50				
54				
60	56	3,000	3 (1)	9,000 (3,000)

注 : ( ) 内の数は、少量出荷用カートンを用いた場合の梱包数。  
 NOTE: ( ) NUMBERS ARE APPLICABLE FOR SMALL LOT. SHIPMENT.

REV.	L							
SHEET	1~2							
REVISE ON PC ONLY				TITLE:				
L	REVISED J2014-1538 2014/04/10 T.NAKAGAWA			5 1 2 9 6 梱包仕様書 SALES PACKAGING SPEC. FOR 51296				
	THIS DOCUMENT CONTAINS INFORMATION THAT IS PROPRIETARY TO MOLEX INC. AND SHOULD NOT BE USED WITHOUT WRITTEN PERMISSION							
REV.	DESCRIPTION			WRITTEN BY:	CHECKED BY:	APPROVED BY:	DATE: YR/MO/DAY	
	DESIGN CONTROL	STATUS		Y.TOKUZONO	T.HARUYAMA	N.UKITA	2009/06/01	
DOCUMENT NUMBER							FILE NAME	SHEET
SPK-51296-007							SPK51296007.docx	1 OF 2
EN-037(2013-04 rev.1)								

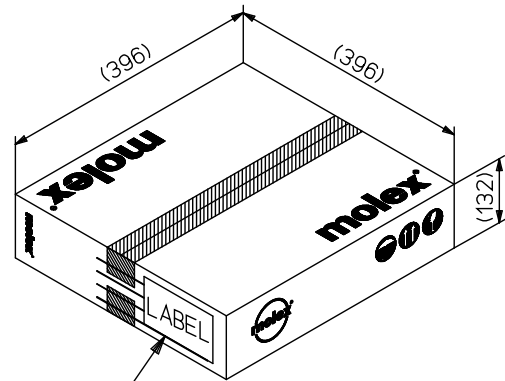
3. カートン外形参考寸法 / CARTON OUTER DIMENSIONS (REFERENCE PURPOSE ONLY)      単位 / UNIT: mm



カートンラベル  
CARTON LABEL

(製品型番, 数量, ロットNO. 表示)  
INDICATION OF PART No., QUANTITY, LOT No.

標準カートン  
STANDARD CARTON



カートンラベル  
CARTON LABEL

(製品型番, 数量, ロットNO. 表示)  
INDICATION OF PART No., QUANTITY, LOT No.

少量出荷用カートン  
FOR SMALL LOT SHIPMENT

REVISE ON PC ONLY		TITLE:		
L	SEE SHEET 1 OF 2	5 1 2 9 6 梱包仕様書 SALES PACKAGING SPEC. FOR 51296		
	REV.	DESCRIPTION	THIS DOCUMENT CONTAINS INFORMATION THAT IS PROPRIETARY TO MOLEX INC. AND SHOULD NOT BE USED WITHOUT WRITTEN PERMISSION	
DOCUMENT NUMBER <b>SPK-51296-007</b>		FILE NAME SPK51296007.docx	SHEET 2 OF 2	
EN-037(2013-04 rev.1)				