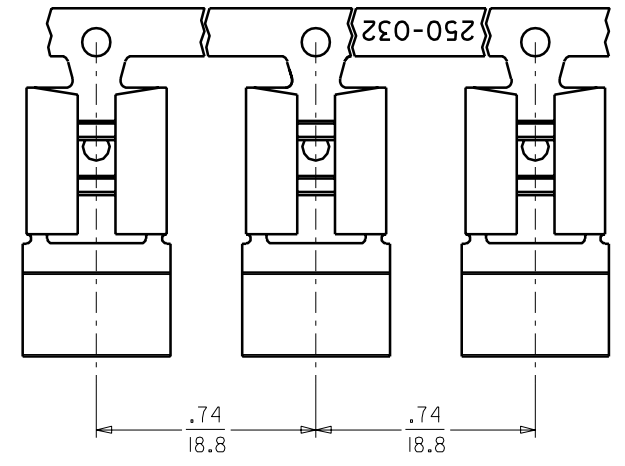
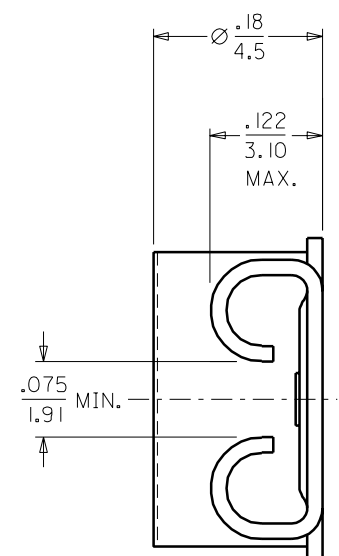
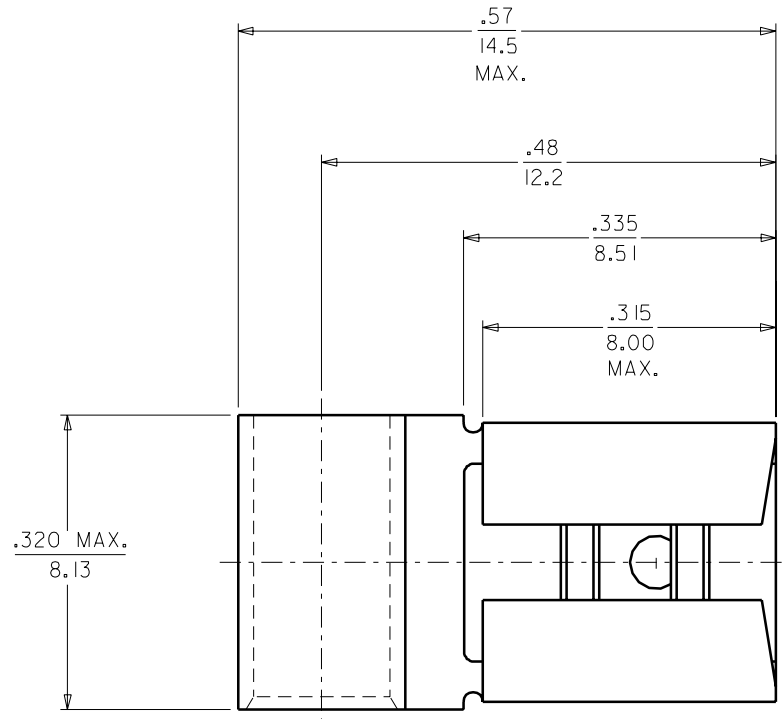


MATERIAL NO.	ENG. NO.	DESCRIPTION
190080063	C-1012	LOOSE PIECE
190080064	CZ-1012	STRIP CARRIED



SALES DRAWING

NOTE(S):
 1. MATERIAL: BRASS
 2. PLATING TIN PLATED.

NEW RELEASE
 EC NO. ETC2003-0212
 DRWN: DLM 03/02/28
 CHK: SB 03/02/28
 APPR: RWD 03/02/28

QUALITY SYMBOLS	DESCRIPTION
MAJOR ▽ = 0	
CRITICAL ∇ = 0	

GENERAL TOLERANCES: (UNLESS SPECIFIED)	
mm	INCH
4 PLACES ±0.-----	±.-----
3 PLACES ±0.---	±.005
2 PLACES ±0.13	±.010
1 PLACE ±0.25	±.---
ANGULAR: ±1/2°	
DRAFT WHERE APPLICABLE MUST REMAIN WITHIN DIMENSIONS	

SCALE 5:1	DESIGN UNITS <input type="checkbox"/> mm <input checked="" type="checkbox"/> INCH
DRAWN BY & DATE DLM 03/02/28	
CHECKED BY & DATE SB 03/02/28	
APPROVED BY & DATE RWD 03/02/28	
CAD FILENAME SD19008010.DGN	

DIMENSIONS: <input type="checkbox"/> mm <input checked="" type="checkbox"/> INCH		SHT	REV
THIRD ANGLE PROJECTION			
TITLE: FLAG, UNINSULATED KRIMPTITE, 12-10 AWG .250 X .032 TAB SIZE			
MOLEX INCORPORATED			
MATERIAL NO. (SEE CHART)	DRAWING NO. SD-19008-010	SHEET NO. 1 OF 1	SIZE A