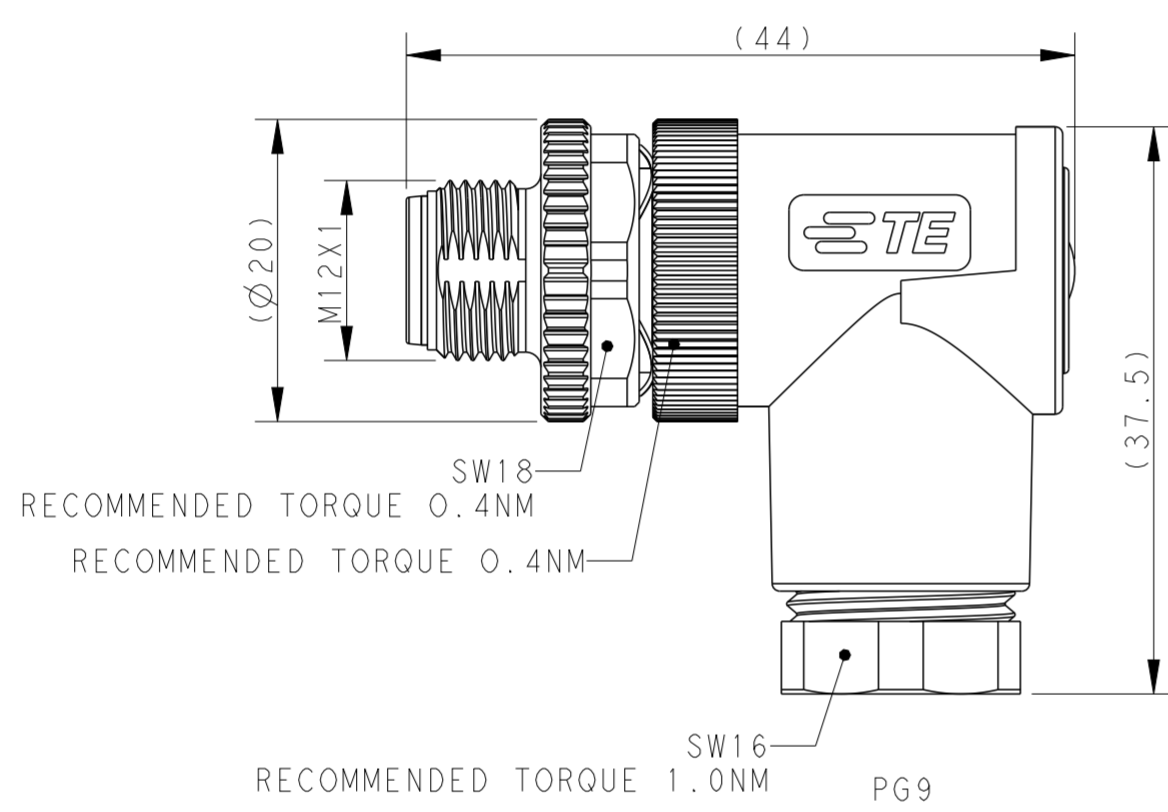
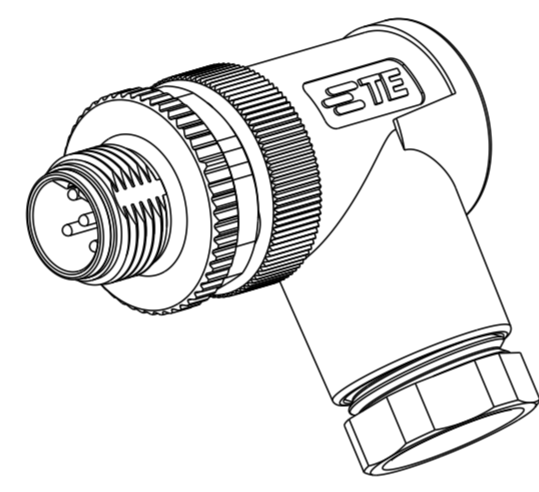
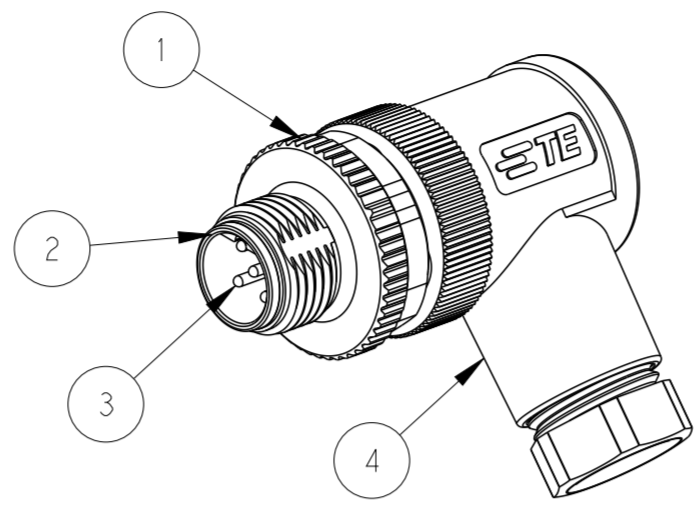
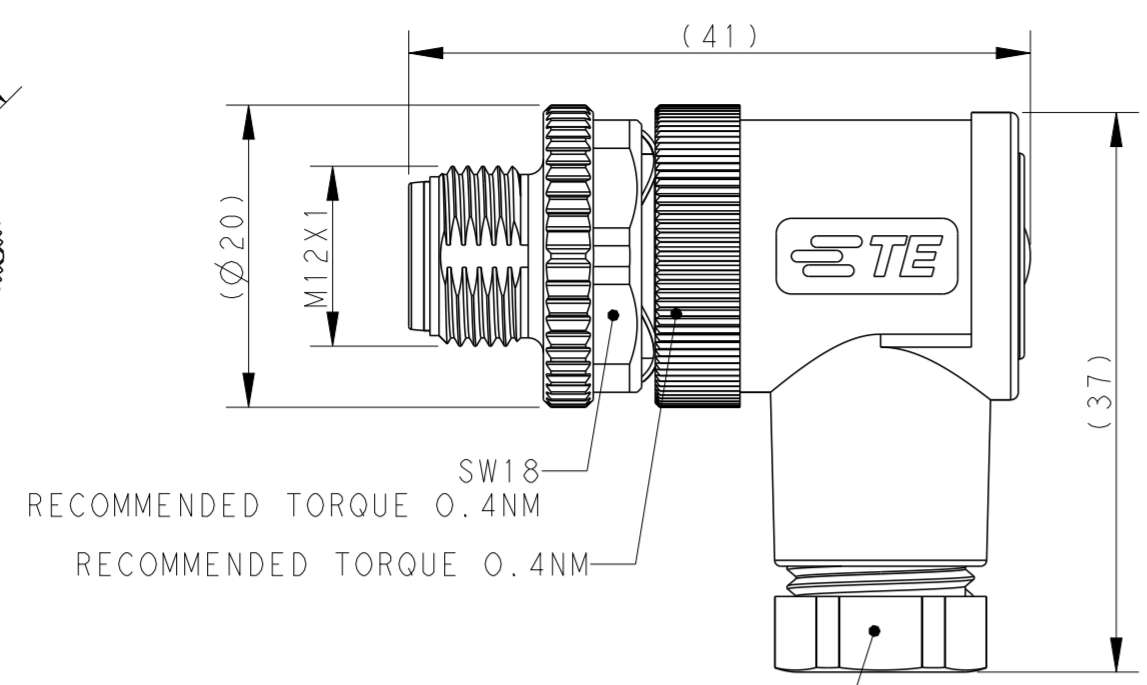
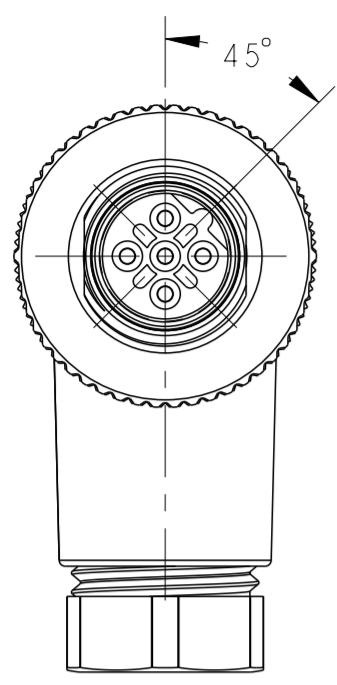


THIS DRAWING IS UNPUBLISHED. RELEASED FOR PUBLICATION 20
 © COPYRIGHT 20 BY - ALL RIGHTS RESERVED.

REVISIONS				
P	LTR	DESCRIPTION	DATE	APVD
A		INITIAL RELEASE	24JUL2015	NP XX
A1		ECR-15-018715 ADD 114 SPEC.	29DEC2015	NP XX
A3		ECR-20-012708 ADD MODEL PG9	22SEP2020	S.C C.W
B		ECR-22-132011	25AUG2022	BP CW

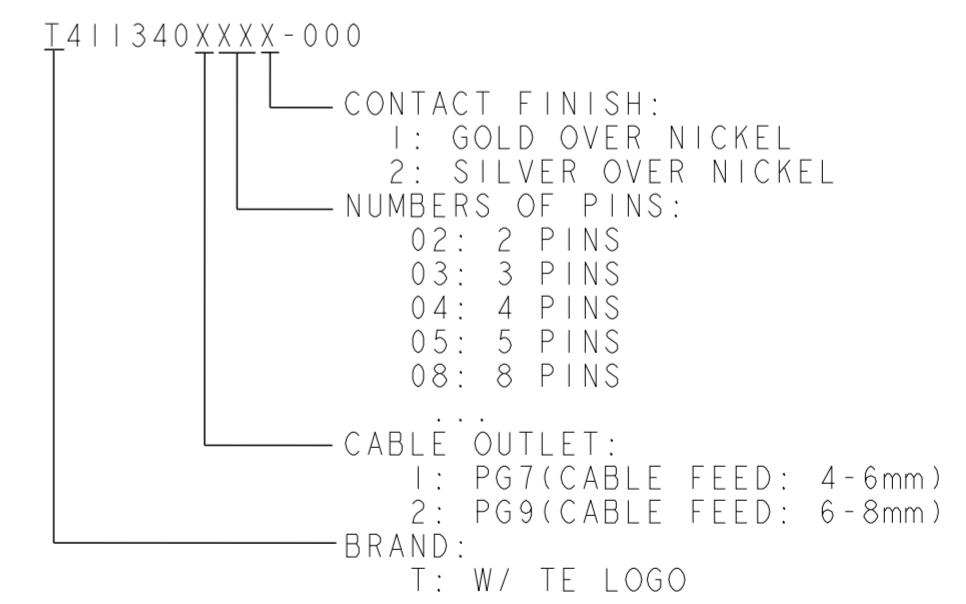


TECHNICAL DATA	T411340X02X-000	T411340X03X-000	T411340X04X-000	T411340X05X-000
	RATED VOLTAGE	250V	250V	250V
RATED CURRENT	4A	4A	4A	4A
POLLUTION DEGREE	3	3	3	3
OVERVOLTAGE CATEGORY	II	II	II	II
MATERIAL GROUP	II	II	II	II
CONTACT RESISTANCE	≤10mΩ	≤10mΩ	≤10mΩ	≤10mΩ
INSULATION RESISTANCE	>100MΩ	>100MΩ	>100MΩ	>100MΩ
DEGREE OF PROTECTION	IP67	IP67	IP67	IP67
OPERATION TEMPERATURE	-40~85°C	-40~85°C	-40~85°C	-40~85°C

- NOTE:
- MATERIAL:
 - ITEM NO.1:NUT -ZINC DIE-CAST,NICKEL PLATED
 - ITEM NO.2:HOUSING -PA
 - ITEM NO.3:CONTACT -BRONZE
 - ITEM NO.4:HOUSING BODY: -ZINC DIE-CAST,NICKEL PLATED
 - CONTACT FINISH:
 - GOLD OVER NICKEL OR SILVER OVER NICKEL
 - CABLE WIRES:
 - 24AWG/0.25mm²...18AWG/0.75mm² (WITHOUT FERRULE)
 - 26AWG/0.14mm²...20AWG/0.50mm² (WITH FERRULE)
 - ALLDIMENSIONS ARE FOR NOMINAL REFERENCE ONLY UNLESS OTHERWISE STATED
 - PACKAGEING: 1PIECE IN A BAG
 - PN INFORMATION

PIN ARRANGEMENT B-CODE		
T411340X02X-000	T411340X03X-000	T411340X04X-000

T4113402051-000	RPC-M12B-MR-5CON-PG9-MU
T4113401051-000	RPC-M12B-MR-5CON-PG7-MU
T4113402052-000	RPC-M12B-MR-5CON-PG9-M
T4113401052-000	RPC-M12B-MR-5CON-PG7-M
T4113402041-000	RPC-M12B-MR-4CON-PG9-MU
T4113401041-000	RPC-M12B-MR-4CON-PG7-MU
T4113402042-000	RPC-M12B-MR-4CON-PG9-M
T4113401042-000	RPC-M12B-MR-4CON-PG7-M
T4113402031-000	RPC-M12B-MR-3CON-PG9-MU
T4113401031-000	RPC-M12B-MR-3CON-PG7-MU
T4113402032-000	RPC-M12B-MR-3CON-PG9-M
T4113401032-000	RPC-M12B-MR-3CON-PG7-M
T4113402021-000	RPC-M12B-MR-2CON-PG9-MU
T4113401021-000	RPC-M12B-MR-2CON-PG7-MU
T4113402022-000	RPC-M12B-MR-2CON-PG9-M
T4113401022-000	RPC-M12B-MR-2CON-PG7-M
TE PN	TYPE



THIS DRAWING IS A CONTROLLED DOCUMENT.		DWN HAO WANG 08DEC2014		TE Connectivity	
DIMENSIONS: mm		CHK KOBBY ZHAO 08DEC2014		NAME M12 MALE, B CODE, RIGHT ANGLE UNSHIELDED CONNECTOR SCREW TERMINAL	
TOLERANCES UNLESS OTHERWISE SPECIFIED:		APVD XIANG XU 08DEC2014	PRODUCT SPEC 108-106140		
0 PLC ±0.2		APPLICATION SPEC 114-137144			
1 PLC ±0.2		WEIGHT -			
2 PLC ±0.2		SIZE A2			
3 PLC ±		CAGE CODE -			
4 PLC ±		DRAWING NO. C-T411340XXXX000			
ANGLES ±		RESTRICTED TO -			
FINISH -		SCALE 2:1 SHEET 1 OF 1 REV B			
MATERIAL -		Customer Drawing			