

PRODUCT NUMBER
20020704-XXXXXXLF



20020704-□ □ □ □ □ ○ □ L F


PITCH
G: 5.00 mm
H: 5.08 mm

POLES
02: 2 POLES
03: 3 POLES
04: 4 POLES
|
24: 24 POLES

LF : DENOTED RoHS COMPATIBLE
1 : STANDARD PRODUCT
W/ BOX PACKING

SCREW CODE

CODE	SCREW TYPE	AVAILABILITY
A	-/+ 	ON REQUEST ONLY
B	- 	STANDARD

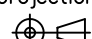
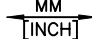
PROPERTY TABLE			
FCI SERIES NAME		10-500	10-508
PITCH (mm)		5.00	5.08
VOLTAGE RATING (VAC)		300	300
CURRENT RATING (A)		10	10
APPLICABLE WIRE RANGE (AWG)	1-WIRE	12~24	12~24
	2-WIRE	18	18
WIRE CROSS SECTION (mm ²)	SOLID	1-WIRE	2.5
		2-WIRE	1.0
	STRANDED	1-WIRE	1.5
		2-WIRE	0.75
OPENING CONTACT HOUSING(mm ²)		2.5x2.4	2.5x2.4
WIRE STRIP LENGTH(mm)		6~7	6~7
TORQUE +/-10% (N-M/Lb-in)		0.40/3.5	0.40/3.5
SCREW		M2.5x0.4	M2.5x0.4
WITHSTANDING VOLTAGE (kV)		1.6	1.6
OPERATING TEMP. (°C)		-40~+115	-40~+115
SOLDERING TEMP. (°C)		250±10 (5 sec.)	250±10 (5 sec.)
POLES AVAILABLE		02~24	02~24
SAFETY CERTIFICATE			

HOUSING CODE

CODE	COLOR	AVAILABILITY
1	GREEN(RAL 6018/T)	STANDARD
2	BLACK	ON REQUEST ONLY
3	GREY(RAL 7004/P)	ON REQUEST ONLY
4	BLUE(RAL 5015/A)	ON REQUEST ONLY

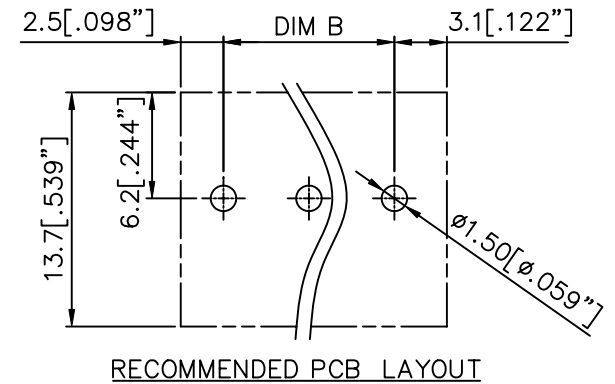
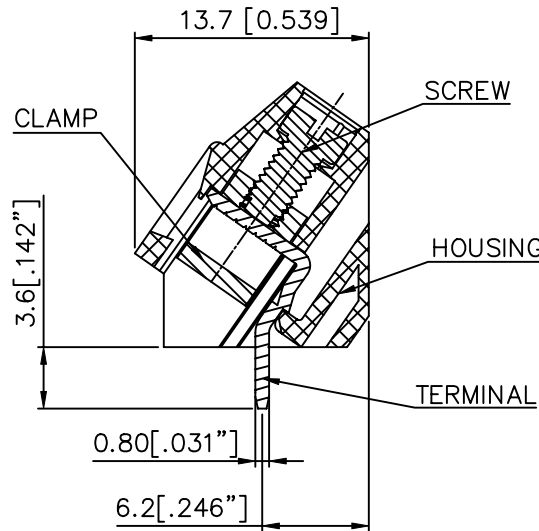
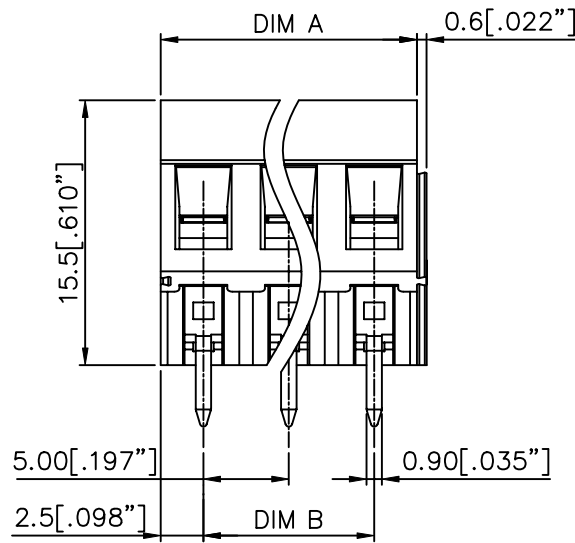
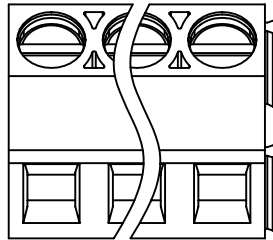
NOTES:

- MATERIALS
1-1 HOUSING: THERMALPLASTIC RESIN, UL 94V-0 RATED.
1-2 SCREW: STEEL, ZINC PLATED.
1-3 CLAMP: COPPER ALLOY, NICKEL PLATED.
1-4 TERMINAL: COPPER ALLOY, TIN PLATED.
- PRODUCT SPECIFICATION REFER TO FCI GS-12-625.
- PRODUCT PACKING SPECIFICATION REFER TO FCI GS-14-1394.
- FCI, SAFETY CERTIFICATE LOGO AND SERIES NAME TO BE SHOWN ON PRODUCT SURFACE.
- THE PRODUCTS WHERE THE PART NUMBER END IN "LF" MEET THE EUROPEAN UNION DIRECTIVE AND OTHER COUNTRY REGULATIONS AS DESCRIBED IN GS-22-008.
- RECOMMENDED SOLDERING PROCESS BY WAVE SOLDER.

mat'l. code				surface ASME Y14.5	tolerance ASME Y14.5	projection 	product family TERMINAL BLOCK
ltr	ecn no	dr	date	tolerances unless otherwise specified			title
A	T10-0138	WL	083110	angles	X.±0.5		TERMINAL BLOCK FIXED POWER PLUG, 45 DEGREE
B	T10-0165	WL	101210	to 1"	X.X±0.3		
C	T10-0194	WL	122310	X'±1"	X.XX±0.1	scale	dwg no
				dr	WENDY CHEN	081610	sheet 1 of 3
				enr	JASON HSU	081610	size
				chr	GARY HSIEH	081610	20020704
				appd	JOSEPH HSIA	081610	A4
							type
							CUSTOMER Drawing
sheet index	revision sheet	C	C	C	C	C	
		1	2	3			



PRODUCT NUMBER	SERIES NAME	PITCH
20020704-GXXXXXLF	10-500	5.00 mm

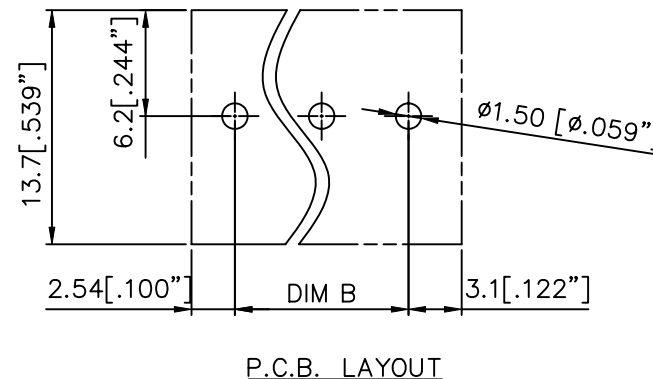
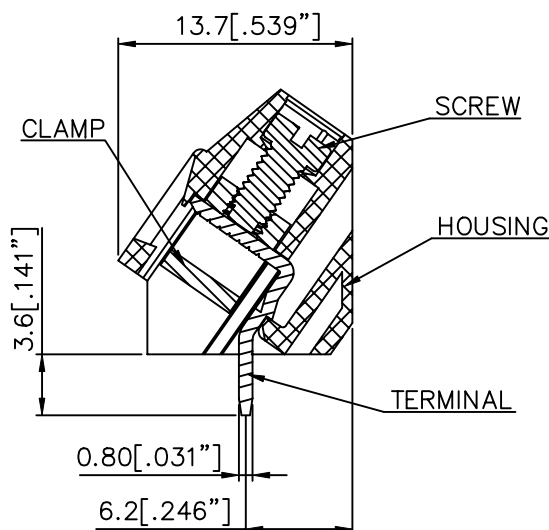
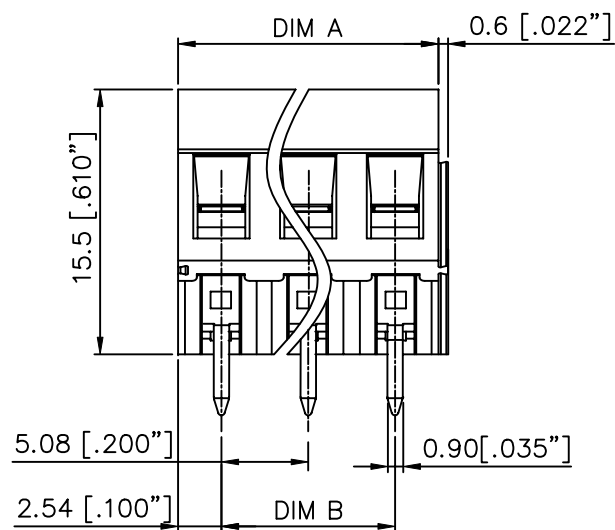
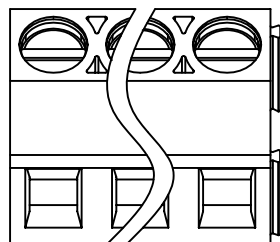


POLE	2	3	4	5	6	7	8	
Dim A	10.0 [.394"]	15.0 [.590"]	20.0 [.787"]	25.0 [.984"]	30.0 [1.181"]	35.0 [1.377"]	40.0 [1.574"]	
Dim B	5.0 [.196"]	10.0 [.394"]	15.0 [.590"]	20.0 [.787"]	25.0 [.984"]	30.0 [1.181"]	35.0 [1.377"]	
Tol.	±0.15 [.006"]						±0.25 [.010"]	
POLE	9	10	11	12	13	14	15	16
Dim A	45.0 [1.771"]	50.0 [1.968"]	55.0 [2.165"]	60.0 [2.362"]	65.0 [2.559"]	70.0 [2.755"]	75.0 [2.952"]	80.0 [3.149"]
Dim B	40.0 [1.574"]	45.0 [1.771"]	50.0 [1.968"]	55.0 [2.165"]	60.0 [2.362"]	65.0 [2.559"]	70.0 [2.755"]	75.0 [2.952"]
Tol.	±0.25 [.010"]				±0.30 [.012"]			
POLE	17	18	19	20	21	22	23	24
Dim A	85.0 [3.346"]	90.0 [3.543"]	95.0 [3.74"]	100.0 [3.937"]	105.0 [4.133"]	110.0 [4.330"]	115.0 [4.527"]	120.0 [4.724"]
Dim B	80.0 [3.149"]	85.0 [3.346"]	90.0 [3.543"]	95.0 [3.74"]	100.0 [3.937"]	105.0 [4.133"]	110.0 [4.330"]	115.0 [4.527"]
Tol.	±0.30 [.012"]				±0.40 [.016"]			

mat'l. code		surface ASME Y14.5	tolerance ASME Y14.5	projection 	product family TERMINAL BLOCK
ltr	ecn no	dr	date	tolerances unless otherwise specified	title TERMINAL BLOCK FIXED POWER PLUG, 45 DEGREE
c				angles X±1°	MM [INCH]
				vertical X.X±0.5 X.XX±0.3 X.XX±0.1	scale
		dr	WENDY CHEN	081610	
		enr	JASON HSU	081610	
		chr	GARY HSIEH	081610	
		appd	JOSEPH HSIA	081610	
sheet index	revision sheet				dwg no 20020704
					sheet 2 of 3 size A4
					type CUSTOMER Drawing



PRODUCT NUMBER	SERIES NAME	PITCH
20020704-HXXXXXLF	10-508	5.08 mm



POLE	1	2	3	4	5	6	7	8
Dim A	10.16[.400"]	10.16[.400"]	15.24[.600"]	20.32[.800"]	25.4[1.000"]	30.48[1.200"]	35.56[1.400"]	40.64[1.600"]
Dim B	5.08[.200"]	5.08[.200"]	10.16[.400"]	15.24[.600"]	20.32[.800"]	25.4[1.000"]	30.48[1.200"]	35.56[1.400"]
Tol.		±0.15[.006"]						±0.25[.010"]
POLE	9	10	11	12	13	14	15	16
Dim A	45.72[1.800"]	50.8[2.000"]	55.88[2.200"]	60.96[2.400"]	66.04[2.600"]	71.12[2.800"]	76.2[3.000"]	81.28[3.200"]
Dim B	40.64[1.600"]	45.72[1.800"]	50.8[2.000"]	55.88[2.200"]	60.96[2.400"]	66.04[2.600"]	71.12[2.800"]	76.2[3.000"]
Tol.	±0.25[.010"]				±0.30[.012"]			
POLE	17	18	19	20	21	22	23	24
Dim A	86.36[3.400"]	91.44[3.600"]	96.52[3.800"]	101.6[4.000"]	106.68[4.200"]	111.76[4.400"]	116.84[4.600"]	121.92[4.800"]
Dim B	81.28[3.200"]	86.36[3.400"]	91.44[3.600"]	96.52[3.800"]	101.6[4.000"]	106.68[4.200"]	111.76[4.400"]	116.84[4.600"]
Tol.	±0.30[.012"]				±0.40[.016"]			

mat'l. code		surface ASME Y14.5 ✓	tolerance ASME Y14.5	projection 	product family TERMINAL BLOCK
ltr	ecn no	dr	date	tolerances unless otherwise specified	title TERMINAL BLOCK FIXED POWER PLUG, 45 DEGREE
c				angles X±1°	
				tolerances X.X±0.5 X.X±0.3 X.XX±0.1	MM [INCH]
				scale	scale
		dr	WENDY CHEN	081610	FCI logo
		enr	JASON HSU	081610	
		chr	GARY HSIEH	081610	
		appd	JOSEPH HSIA	081610	
sheet index	revision sheet				dwg no 20020704
					sheet 3 of 3
					size A4
					type CUSTOMER Drawing