



## IMPACT<sup>®</sup>

### Features and Benefits

- Standard Color – light gray with a high gloss finish
- Best material – bases, opaque covers and clear covers are all made of high-impact, UV resistant polycarbonate
- Easy ordering – One part number equals one completely assembled enclosure
- Super easy use – mounting flanges integral, so no extra hardware needed
- Flexible Interior Mounting – bosses on rear wall and lid of opaque enclosure provide multiple mounting options for din rail, back panels, or other components
- Advanced face plate mounting system – Brand new completely unique and easy
- Secure – Choose your level of protection: pad lockable, tamper screw or tamper tag capable
- Frequency Friendly – Available with absolutely no metals of any kind on the enclosure which is extremely favorable for sending and receiving wireless signals
- UL-50 / c-UL Listed (file # E207562)

Our Impact<sup>®</sup> Line enclosures are the most versatile, feature packed, aesthetically pleasing, NEMA UL rated, non-metallic enclosures available. Features like extremely durable, UV resistant, wide temperature range, easy to machine, lighter than other non-metallic or metal materials, the “Made in USA” Impact<sup>®</sup> Line enclosures provide great value to any application.



Mechanical and Thermal	Test Spec.	Unit	Impact <sup>®</sup> Line
Instrumented Dart Impact @ 73° F		in/lb.	565
Falling Ball Impact @ 73° F	UL-746	in/lb.	900
Deflection Temperature @ 264 psi	ASTM D648	Deg. F	270
Modulus of Elasticity	ASTM D790	ksi	340
Temperature Range		Deg. F	-40 to 265

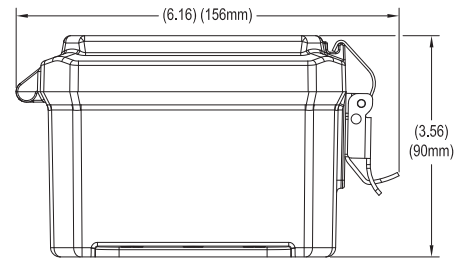
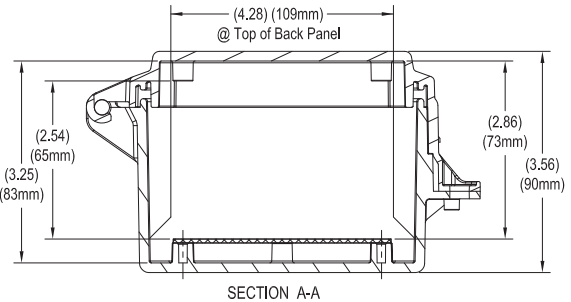
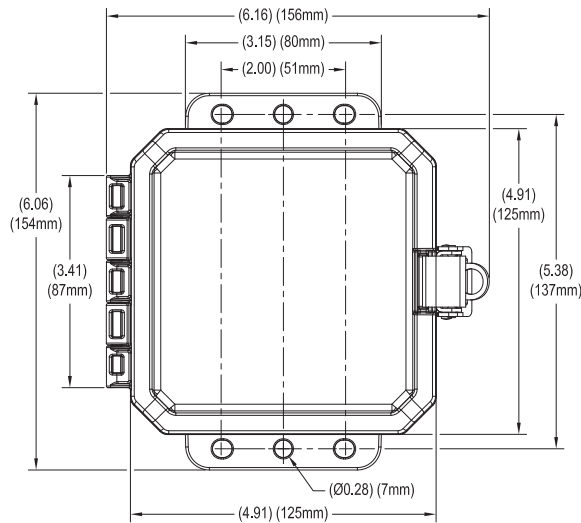
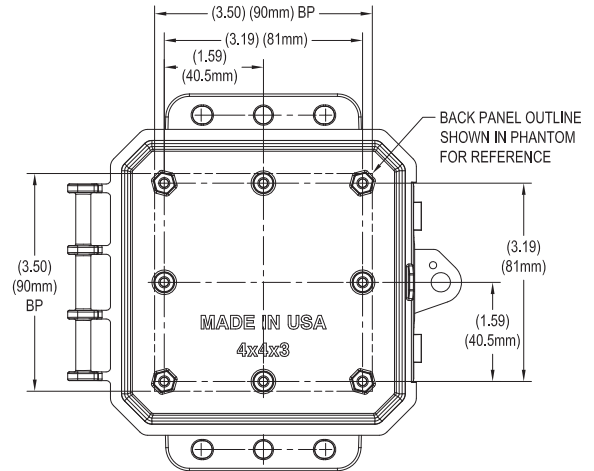
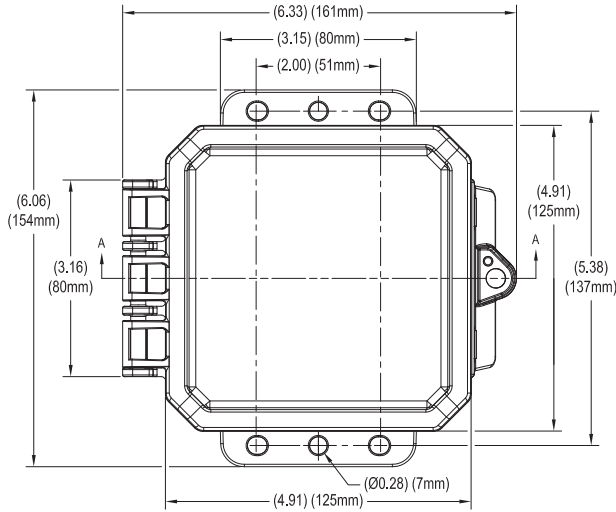
Flammable / UV Ratings	Test Spec.	Unit	Impact <sup>®</sup> Line
Flame Rating - UL	UL 94	-	5VA
Outdoor UV Exposure	UL	-	f1

4043 P/N	4X IP66	6P IP68	Clear Cover	Opaque Cover	Integrated Mounting Flange	Standard Hinge	Low Profile Hinge	Integrated Locking Latch	Stainless Steel Locking Latch	Non-Metallic Locking Latch	Face Plate Mtg System*
P4043	✓	✓		✓	✓	✓		✓			✓
P4043C	✓	✓	✓		✓	✓		✓			✓
P4043LL	✓			✓	✓	✓			✓		✓
P4043CLL	✓		✓		✓	✓			✓		✓
P4043LP	✓	✓		✓	✓		✓	✓			✓
P4043LPC	✓	✓	✓		✓		✓	✓			✓
P4043LPLL	✓			✓	✓		✓		✓		✓
P4043LPCLL	✓		✓		✓		✓		✓		✓
P4043NL	✓			✓	✓	✓				✓	✓
P4043CNL	✓		✓		✓	✓				✓	✓
P4043LPNL	✓			✓	✓		✓			✓	✓
P4043LPCNL	✓		✓		✓		✓			✓	✓

\* Sold separately

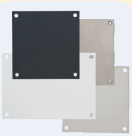


# 4X4X3 IMPACT<sup>®</sup> LINE



Register online to download this drawing off the Integra website at [www.integraenclosures.com](http://www.integraenclosures.com) | Your company's logo or other information on the lid. Consult factory for details.

## Accessories for 4x4x3 Impact<sup>®</sup> (For complete accessories, see pages 78-81)



### Back Panels

**ABP44-IMP** - Aluminum panel  
**SBP44-IMP** - Steel panel  
**PVCBP44-IMP** - PVC panel



### Aluminum Face Plate System

**AFP44-IMP** - Aluminum face plate and FPSK-44 mounting kit  
**AFP44-IMP** - Aluminum face panel only



### Face Plate Support Kit

**CB44-IMP** - Support kit contains 4 support panels and 8 screws.



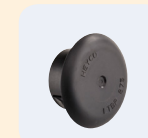
### Air Vents

**VENT 3** - Aluminum louvered  
**VENT 2** - Outdoor labyrinth



### Steel Face Plate System

**SFPK44-IMP** - Steel face plate and FPSK-44 mounting kit  
**SFP44-IMP** - Steel face panel only



### Hole Plugs

Liquid tight thru plugs. IP67 and UL rated. See page 72 for more details.



### Din Rail

**DIN 4-IMP** - 2 rails, 4 screws



### Pole Mounting Kit

**PMKG-24-IMP** - 2" pole  
**PMKG-34-IMP** - 3" pole  
**PMKG-44-IMP** - 4" pole  
**PMKG-124-IMP** - 12" pole



### Cord Grips

IP68/NEMA 4X/6P rated  
 See page 72 for more details.