

**SAW Filter 2250.0MHz**  
**Part No: MP01137**

**Model: TA0700A**  
**Rev No:1**

**A. MAXIMUM RATING:**

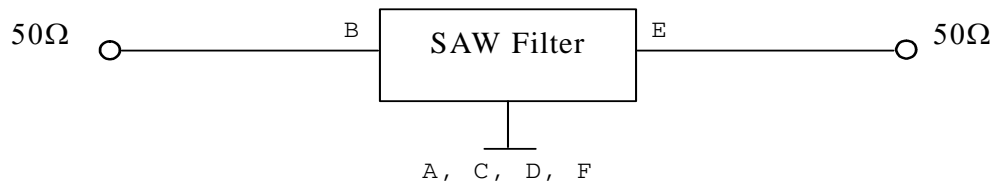
1. Input Power Level: 10dBm
2. DC Voltage: 3V
3. Operating Temperature: -20°C to +70°C
4. Storage Temperature: -40°C to +85°C

**B. ELECTRICAL CHARACTERISTICS:**

Item	Unit	Min.	Typ.	Max.	Note
Center Frequency Fc	MHz	-	2250	-	-
Insertion Loss (2200 ~ 2300MHz) IL	dB	-	3.2	4.5	-
Amplitude Ripple (2200 ~ 2300MHz)	dB	-	1.9	3	-
VSWR (2200 ~ 2300MHz)		-	1.9	2.5	-
Attenuation (Reference level from 0dB)					
D.C. ~ 2160MHz	dB	25	28	-	-
2340 ~ 4000MHz	dB	25	32.5	-	-

**C. MEASUREMENT CIRCUIT:**

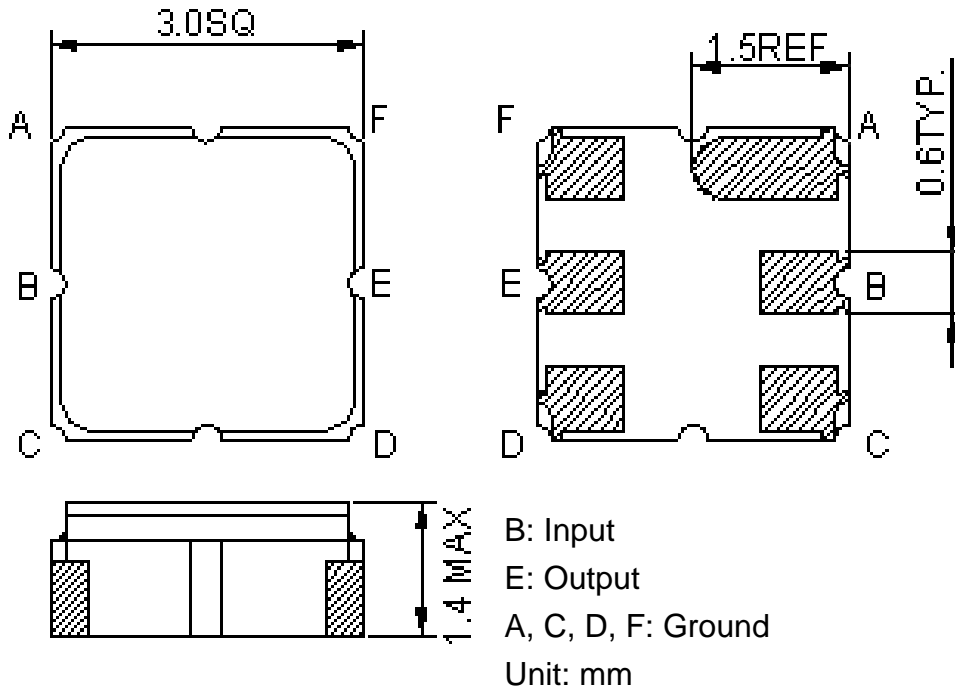
HP Network analyzer



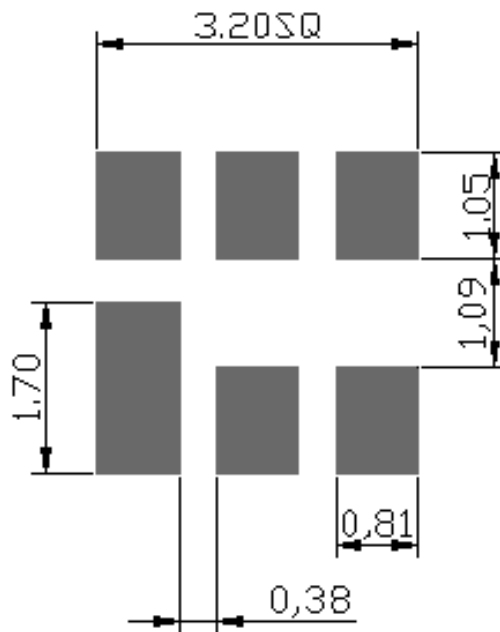
**SAW Filter 2250.0MHz**  
**Part No: MP01137**

**Model: TA0700A**  
**Rev No:1**

**D. OUTLINE DRAWING:**



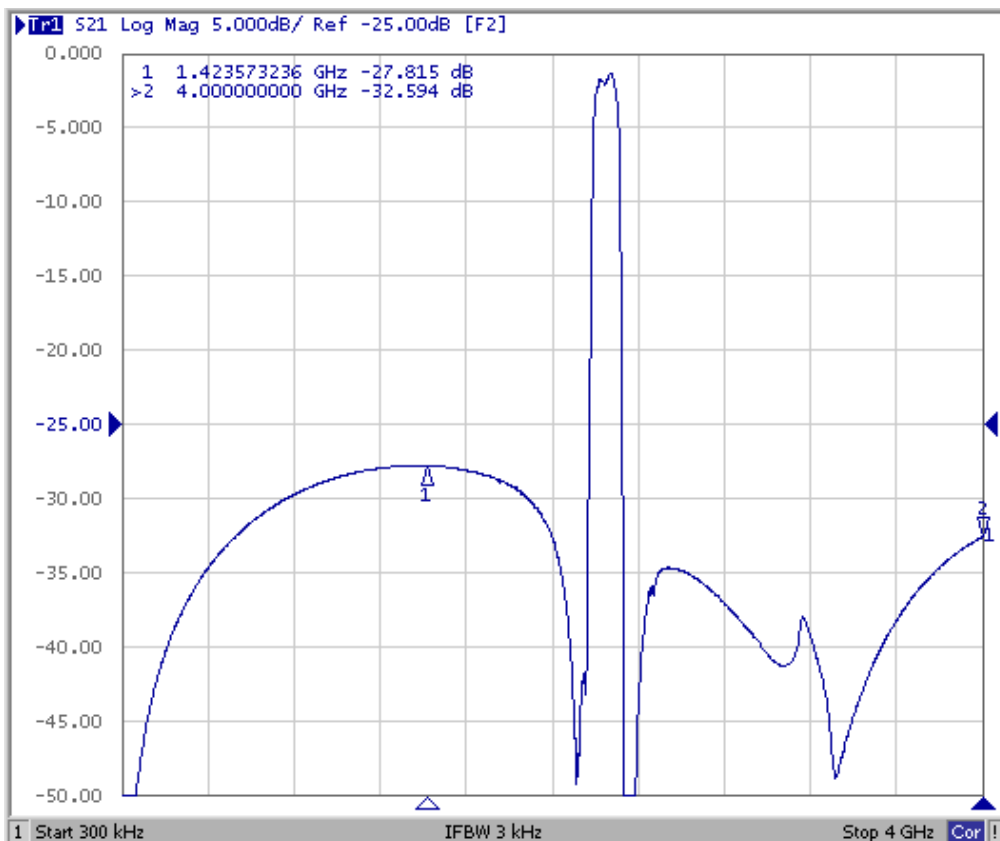
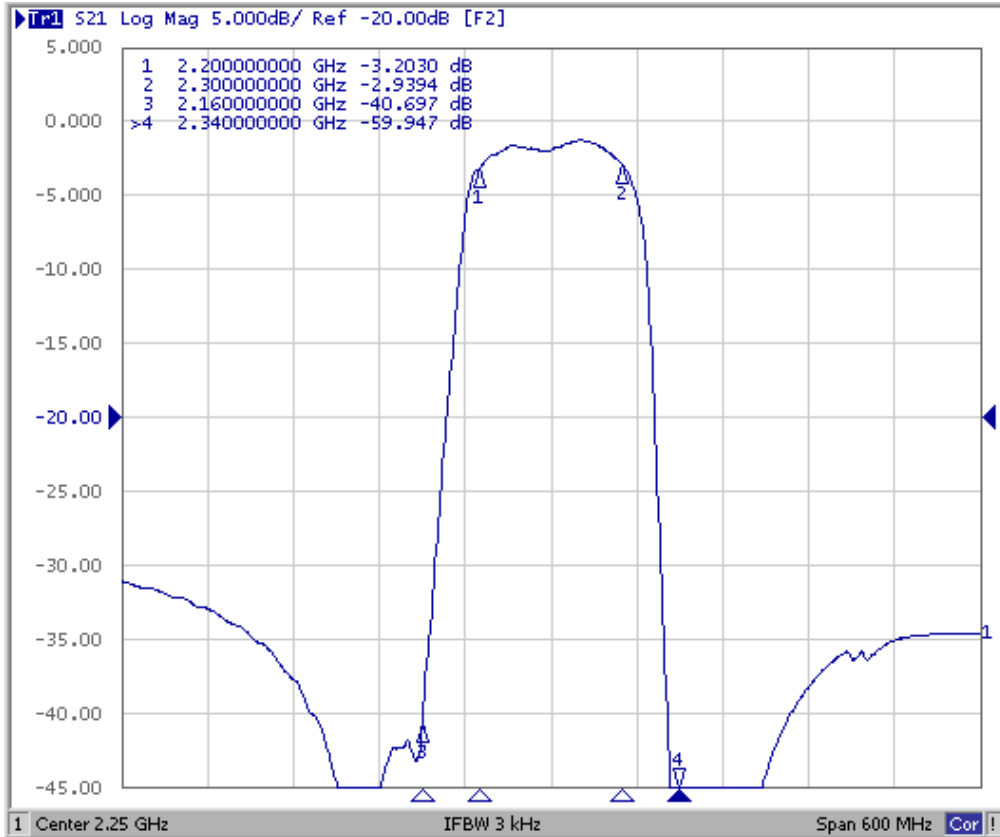
**E. PCB FOOTPRINT:**



**SAW Filter 2250.0MHz**  
**Part No: MP01137**

**Model: TA0700A**  
**Rev No:1**

**F. FREQUENCY CHARACTERISTICS:**

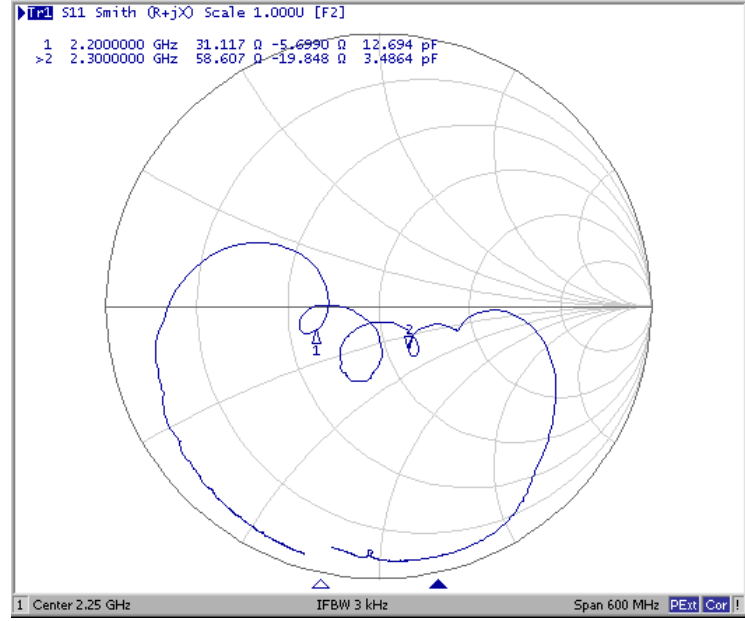
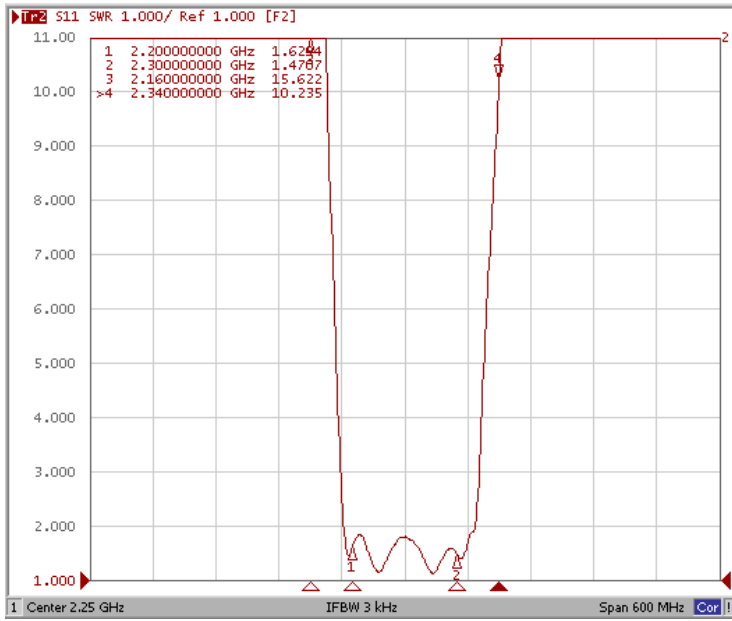


**SAW Filter 2250.0MHz**  
**Part No: MP01137**

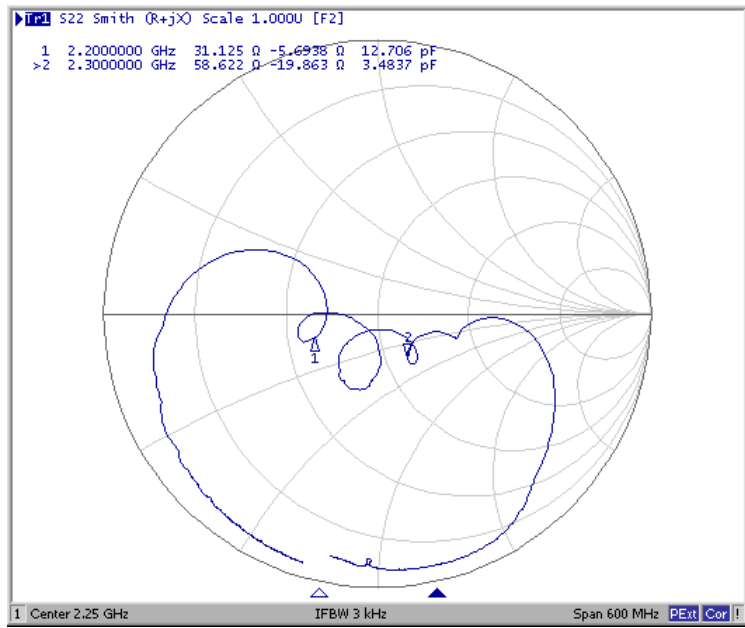
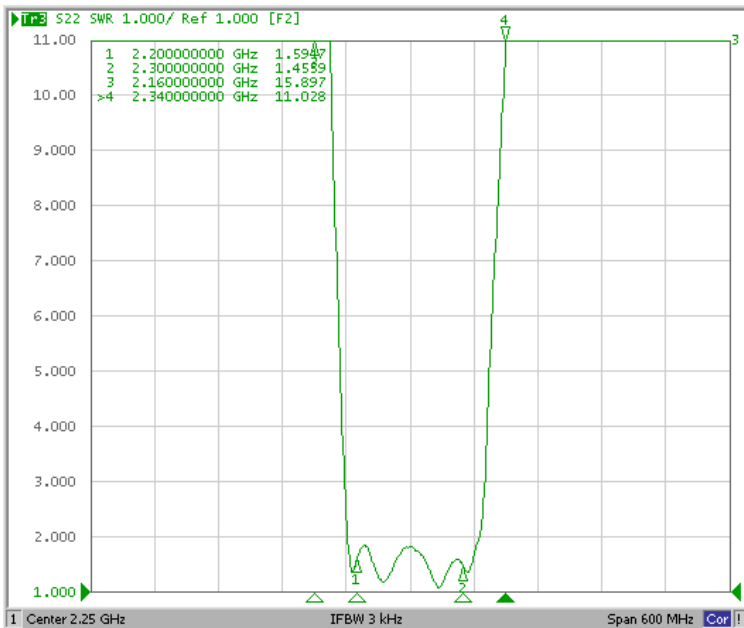
**Model: TA0700A**  
**Rev No:1**

Reflection Functions

S11



S22

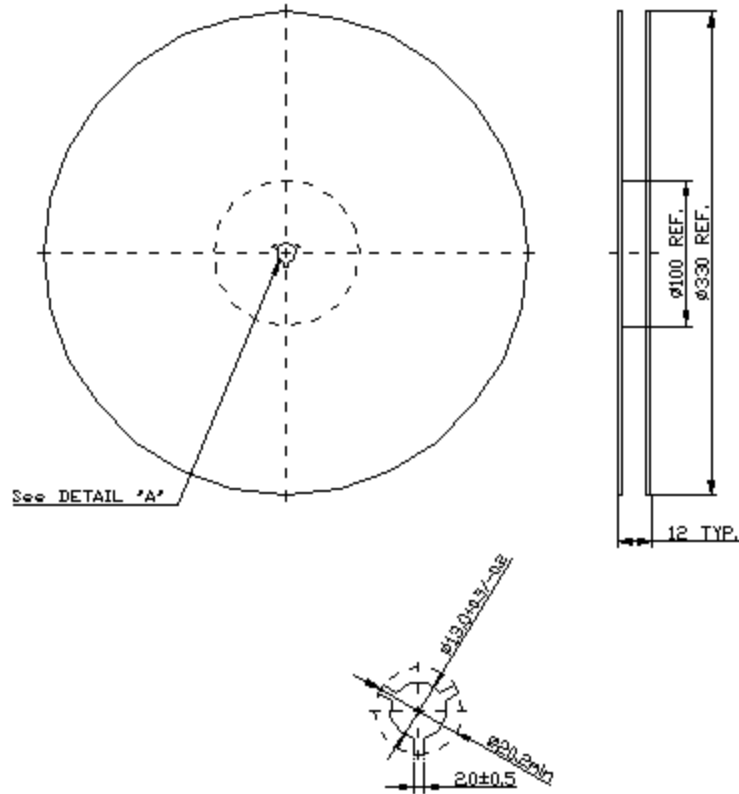


**SAW Filter 2250.0MHz**  
**Part No: MP01137**

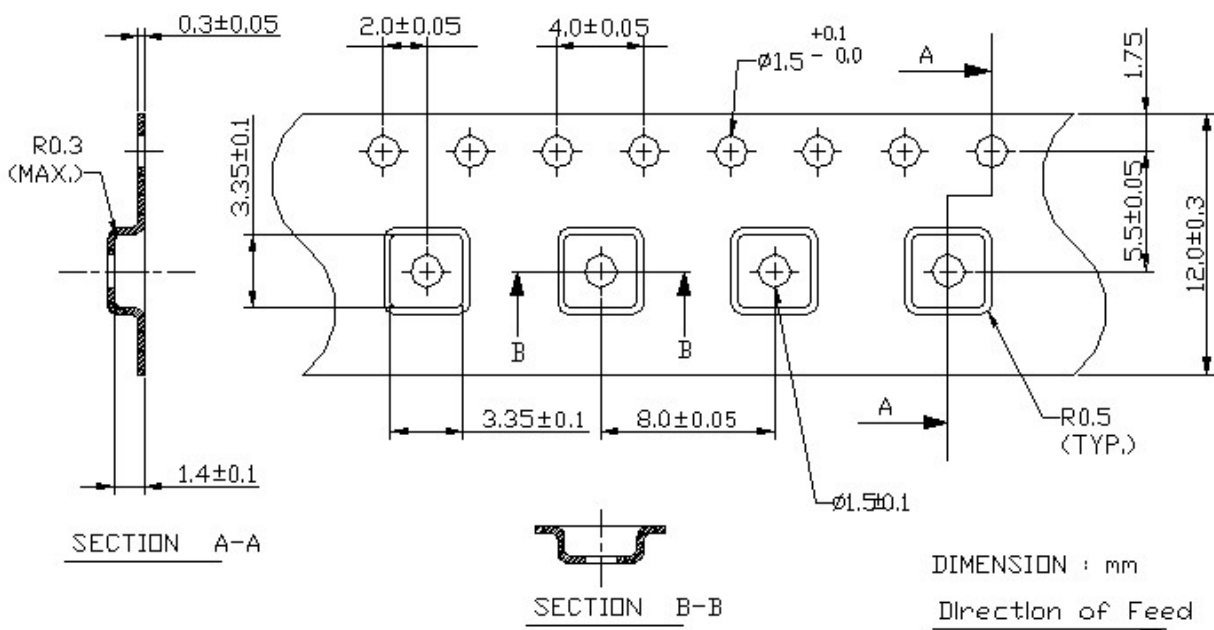
**Model: TA0700A**  
**Rev No:1**

**G. PACKING:**

1. Reel Dimension (Reel Count: 7" = 1000; 13" = 3000)



2. Tape Dimension



**SAW Filter 2250.0MHz**  
**Part No: MP01137**

**Model: TA0700A**  
**Rev No:1**

**H. RECOMMENDED REFLOW PROFILE:**

