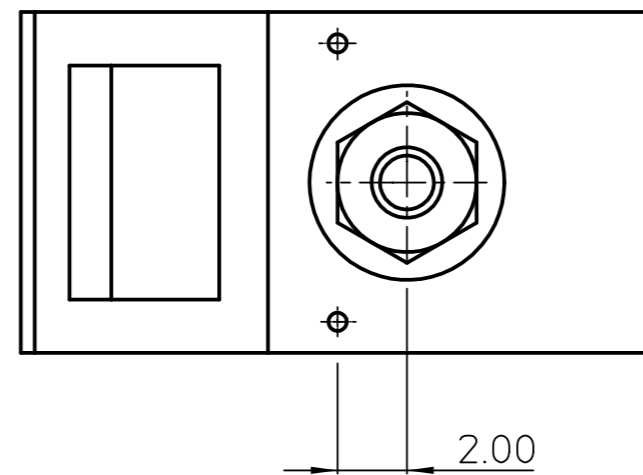
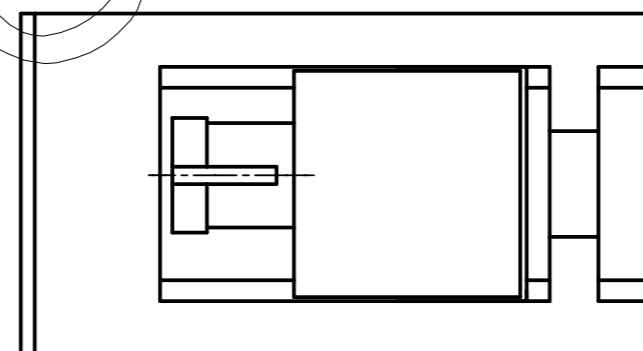
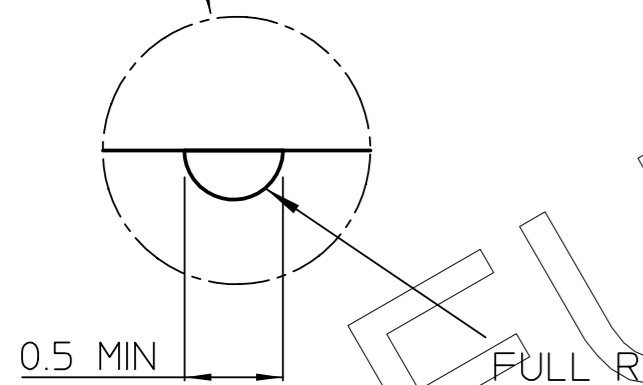
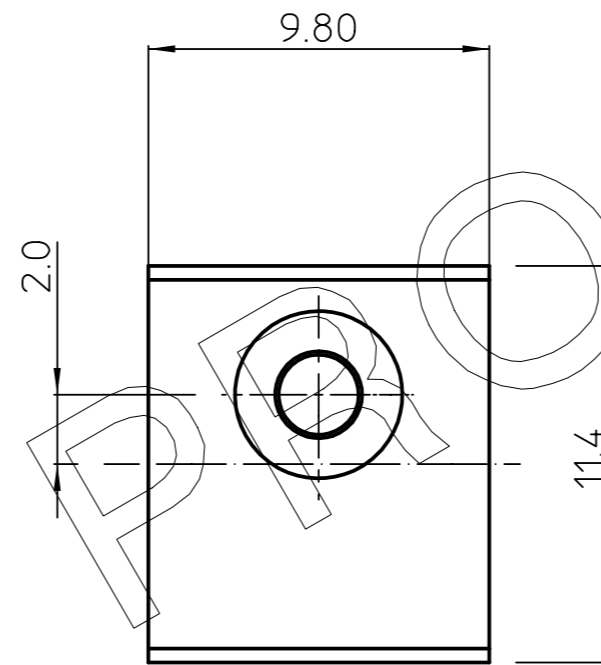
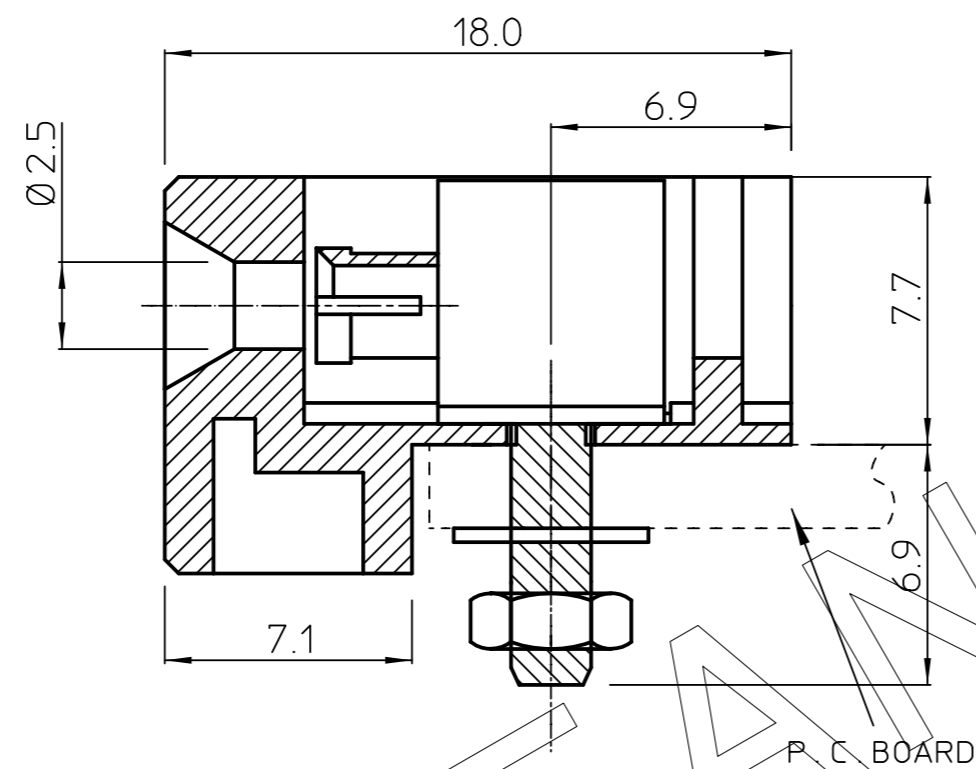
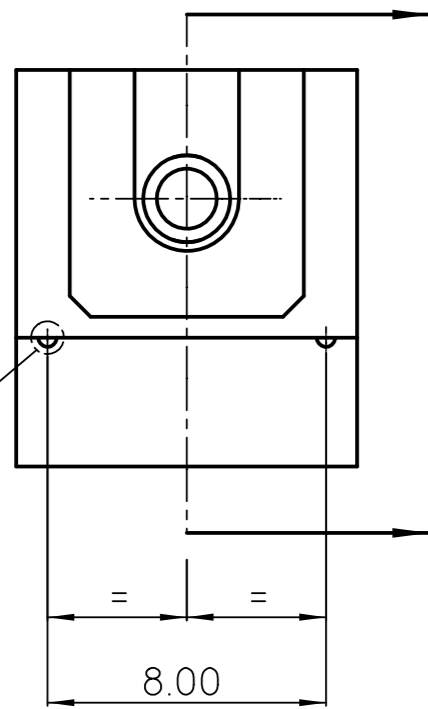
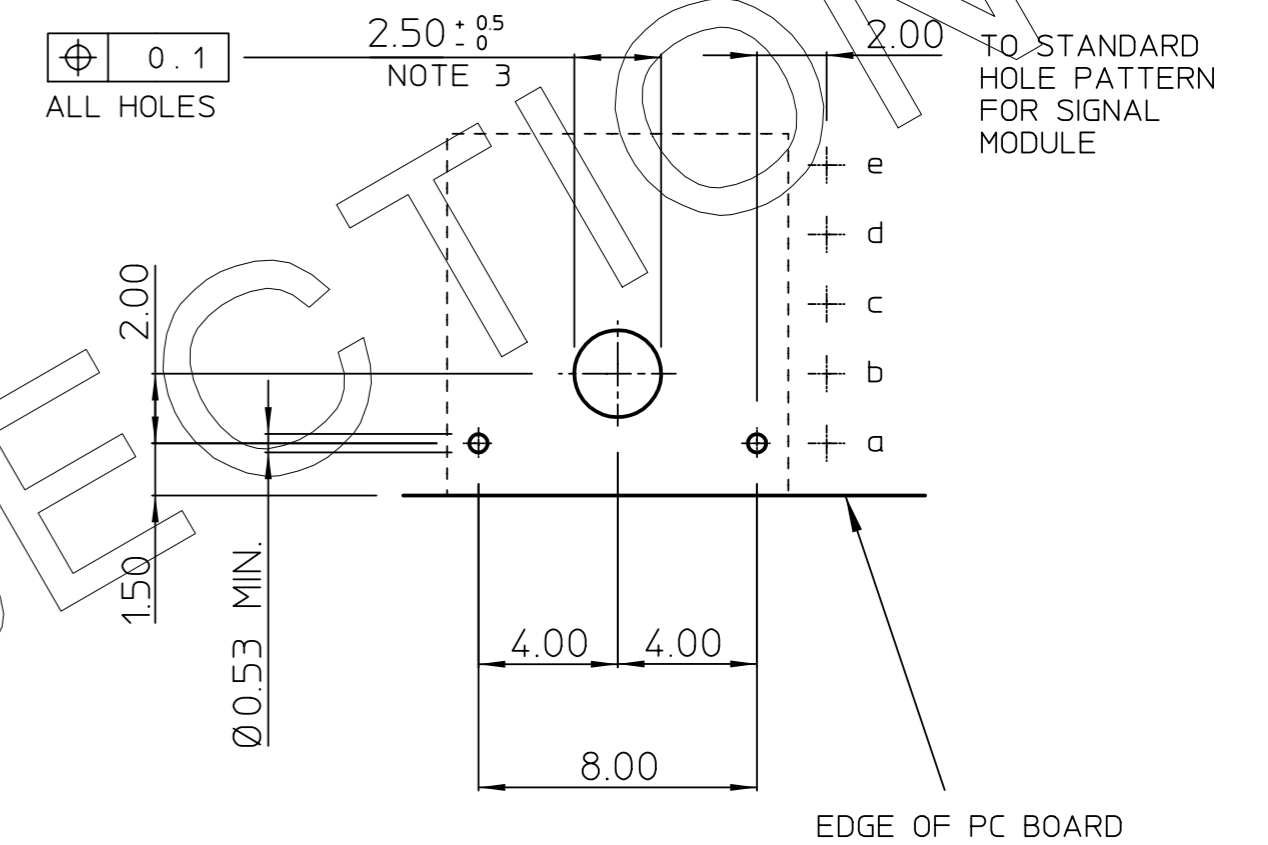


GEN. ST.	01	02	03	04	05	06	07	08	0D	50	60	70	80	90																	
INT. ST.	10	11	12	13	14	18	20	31	32	33	34	38	39	40	42	43	44	45	46	48	56	70	72	73	75	76	81	82	83	84	88

REV.	DATE	DESCRIPTION	BY	C'K'D'
A	14-09-01	CONVERSION REVISION 00	KN	



PCB-HOLE LAYOUT
COMPONENT SIDE



NOTES

1. MATERIAL HOUSING : GLASS FILLED POLYMER.
2. PLATED THRU HOLE FOR POWER APPLICATION ONLY.
3. PLATING: 5μ SnPb OVER 3μ Ni

THIS IS OUR EXCLUSIVE PROPERTY. IT IS NOT TO BE COPIED, REPRINTED OR DISCLOSED TO A THIRD PARTY, NOR USED FOR MANUFACTURING WITHOUT OUR WRITTEN CONSENT, AND HAS TO BE RETURNED TO US IN CASE OF NO USAGE

DIT IS ONZE EIGENDOM EN MAG NOCH NAGEMAAKT, HERDRUKT, OVERGEMAAKT AAN DERDEN, NOCH VOOR FABRIKATIE GEBRUIKT WORDEN, ZONDER ONZE SCHRIFTELIJKE TOELATING. BIJ NIET GEBRUIK IS TERUGZENDING VERPLICHT.

1DEC ±0,2 1DEC 2DEC ±0,1 2DEC ANGLES ±1° HOEKEN	APPR.	DATE	SIGN.	MILLIPACS 2 / GUIDING SYSTEM (for p.c.board)
WE RESERVE THE RIGHT TO CHANGE DIMENSIONS OR REQUIREMENTS WITHOUT PRIOR NOTICE.	DRAFT	03-11-99	M.Fret	CAT. No. HM2G08
ALL DIMENSIONS IN MM	CHECKED			SCALE
ALLE AFMETINGEN IN MM	PROD. MGR.			FCI FCI MECHELEN N.V. A. SPINOYSTRAAAT 8, 2800 MECHELEN
	PR. ENG. MGR.			4 / 1
	PR. MGT. MGR.			BS,C ,201911,014
	REFERENCES / REFERENTIES			A
				DRAWING No. CUSTOMER DRAWING REVISION