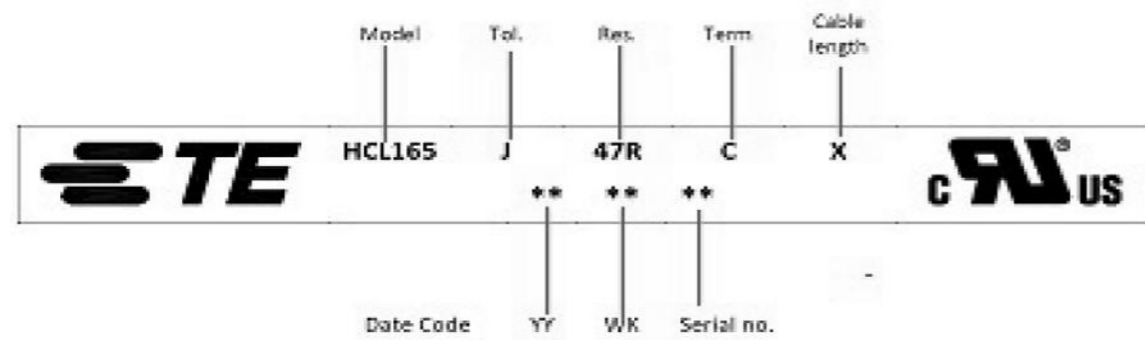
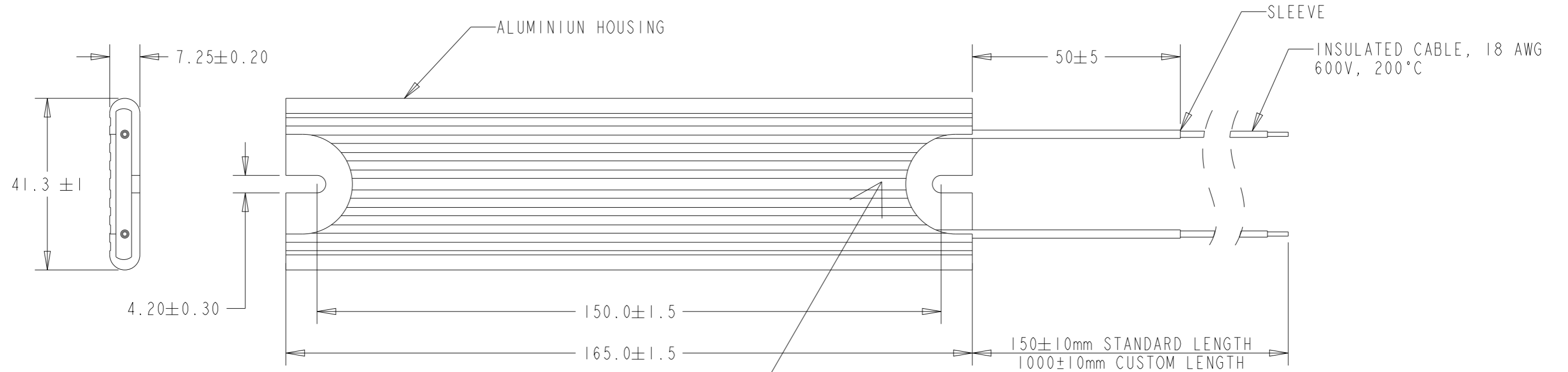


REVISIONS

P	LTR	DESCRIPTION	DATE	DWN	APVD
	A	INITIAL DRAWING RELEASE	03MAR2022	DM	GT
	A1	ADDED MARKING DETAIL	25APR2022	DM	AP

FOR FURTHER INFORMATION REFER DATA SHEET FOR ALUMINIUM HOUSED RESISTOR HCL SERIES




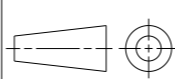
THIS DRAWING IS A CONTROLLED DOCUMENT.		DWN DHEERAJ M 03MAR2022	TE Connectivity ALUMINIUM HOUSED RESISTOR TYPE HCL165 SERIES	
DIMENSIONS: mm		CHK G. TRACY 03MAR2022		
TOLERANCES UNLESS OTHERWISE SPECIFIED:		APVD -	NAME	
0 PLC ±-		PRODUCT SPEC -	ALUMINIUM HOUSED RESISTOR	
1 PLC ±0.5		APPLICATION SPEC -	TYPE HCL165 SERIES	
2 PLC ±0.13		WEIGHT -	SIZE A3	CAGE CODE 00779
3 PLC ±0.013		CUSTOMER DRAWING	DRAWING NO C-2176490	RESTRICTED TO -
4 PLC ±0.0001			SCALE 1:1	SHEET 1 OF 2
ANGLES ±-				
MATERIAL -				
FINISH -				

REVISIONS

P	LTR	DESCRIPTION	DATE	DWN	APVD
	-	SEE SHEET 1	-	-	-

Complete TIN	TE Alias	Description
2176490-1	HCL165J4R7CX	HCL165 100W 4R7 5% Cable 150mm
2176490-2	HCL165J5R6CX	HCL165 100W 5R6 5% Cable 150mm
2176490-3	HCL165J6R8CX	HCL165 100W 6R8 5% Cable 150mm
2176490-4	HCL165J8R2CX	HCL165 100W 8R2 5% Cable 150mm
2176490-5	HCL165J10RCX	HCL165 100W 10R 5% Cable 150mm
2176490-6	HCL165J12RCX	HCL165 100W 12R 5% Cable 150mm
2176490-7	HCL165J15RCX	HCL165 100W 15R 5% Cable 150mm
2176490-8	HCL165J18RCX	HCL165 100W 18R 5% Cable 150mm
2176490-9	HCL165J22RCX	HCL165 100W 22R 5% Cable 150mm
1-2176490-0	HCL165J27RCX	HCL165 100W 27R 5% Cable 150mm
1-2176490-1	HCL165J33RCX	HCL165 100W 33R 5% Cable 150mm
1-2176490-2	HCL165J39RCX	HCL165 100W 39R 5% Cable 150mm
1-2176490-3	HCL165J47RCX	HCL165 100W 47R 5% Cable 150mm
1-2176490-4	HCL165J56RCX	HCL165 100W 56R 5% Cable 150mm
1-2176490-5	HCL165J68RCX	HCL165 100W 68R 5% Cable 150mm
1-2176490-6	HCL165J82RCX	HCL165 100W 82R 5% Cable 150mm
1-2176490-7	HCL165J100RCX	HCL165 100W 100R 5% Cable 150mm
1-2176490-8	HCL165J120RCX	HCL165 100W 120R 5% Cable 150mm
1-2176490-9	HCL165J150RCX	HCL165 100W 150R 5% Cable 150mm
2-2176490-0	HCL165J180RCX	HCL165 100W 180R 5% Cable 150mm

Complete TIN	TE Alias	Description
2-2176490-1	HCL165J220RCX	HCL165 100W 220R 5% Cable 150mm
2-2176490-2	HCL165J270RCX	HCL165 100W 270R 5% Cable 150mm
2-2176490-3	HCL165J330RCX	HCL165 100W 330R 5% Cable 150mm
2-2176490-4	HCL165J390RCX	HCL165 100W 390R 5% Cable 150mm
2-2176490-5	HCL165J470RCX	HCL165 100W 470R 5% Cable 150mm
2-2176490-6	HCL165J560RCX	HCL165 100W 560R 5% Cable 150mm
2-2176490-7	HCL165J680RCX	HCL165 100W 680R 5% Cable 150mm
2-2176490-8	HCL165J820RCX	HCL165 100W 820R 5% Cable 150mm
2-2176490-9	HCL165J1K0CX	HCL165 100W 1K0 5% Cable 150mm
3-2176490-0	HCL165J1K2CX	HCL165 100W 1K2 5% Cable 150mm
3-2176490-1	HCL165J1K5CX	HCL165 100W 1K5 5% Cable 150mm
3-2176490-2	HCL165J1K8CX	HCL165 100W 1K8 5% Cable 150mm
3-2176490-3	HCL165J2K2CX	HCL165 100W 2K2 5% Cable 150mm
3-2176490-4	HCL165J2K7CX	HCL165 100W 2K7 5% Cable 150mm
3-2176490-5	HCL165J3K3CX	HCL165 100W 3K3 5% Cable 150mm
3-2176490-6	HCL165J3K9CX	HCL165 100W 3K9 5% Cable 150mm
3-2176490-7	HCL165J4K7CX	HCL165 100W 4K7 5% Cable 150mm
3-2176490-8	HCL165J5K6CX	HCL165 100W 5K6 5% Cable 150mm

THIS DRAWING IS A CONTROLLED DOCUMENT.		DWN DHEERAJ M 03MAR2022	 TE Connectivity	
DIMENSIONS: mm		CHK G. TRACY 03MAR2022		
		TOLERANCES UNLESS OTHERWISE SPECIFIED:		NAME ALUMINIUM HOUSED RESISTOR TYPE HCL165 SERIES
MATERIAL -		FINISH -		
		0 PLC ±- 1 PLC ±0.5 2 PLC ±0.13 3 PLC ±0.013 4 PLC ±0.0001 ANGLES ±-		APVD - PRODUCT SPEC - APPLICATION SPEC - WEIGHT -
		CUSTOMER DRAWING		SIZE A3 CAGE CODE 00779 DRAWING NO G-2176490 RESTRICTED TO -
		SCALE 1:1		SHEET 2 OF 2 REV A1