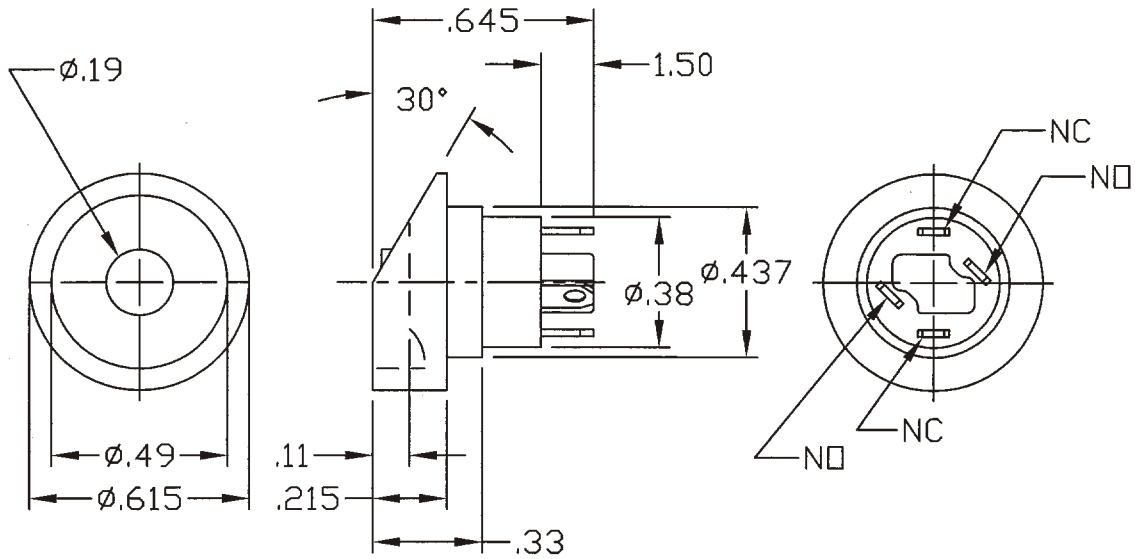


1. PART NUMBER AND CHARACTERISTICS



TE Part No	Rev	Terminal Style/ Construction Grade	Circuit Form	Contact Rating	Bezel Color	Button Color	Mfr Part No
986290-1	O	Solder/Commercial	NO	STD	Black	Green	P7-821125
986290-2	O	Solder/Commercial	NC	STD	Black	Red	P7-822121
986290-3	O	Solder/Commercial	2 Circuit	STD	Black	Yellow	P7-826124
986290-4	B	Solder/Commercial	2 Circuit	STD	Black	Blue	P7-826126

- 1.1. All dimensions are nominal unless otherwise specified
- 1.2. Electrical rating: 28 VDC or 115 VAC, 60/400 Hz
- 1.3. Operating temperature: -55° to 85°C
- 2. RECOMMENDED MANUFACTURER
Otto Engineering, Inc.
www.ottoexcellence.com
or Tyco Electronics Engineering approved equivalent.

COMMERCIAL ITEM SPECIFICATION		MATERIAL							
		FINISH							
© 2009 Tyco Electronics Corporation, Harrisburg, PA All International Rights Reserved				DIMENSIONS IN INCHES	NO	986290	REV B	LOC B	DIST 31
B	Add -4	JNB	18DEC09	SHEET 1 OF 1	TITLE SWITCH, PUSHBUTTON, SEALED SUB-MINIATURE, SNAP-ACTION, MOMENTARY				
REV	ENGINEERING CHANGE	CHK	DATE						