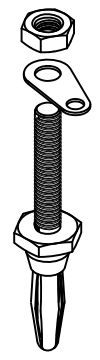
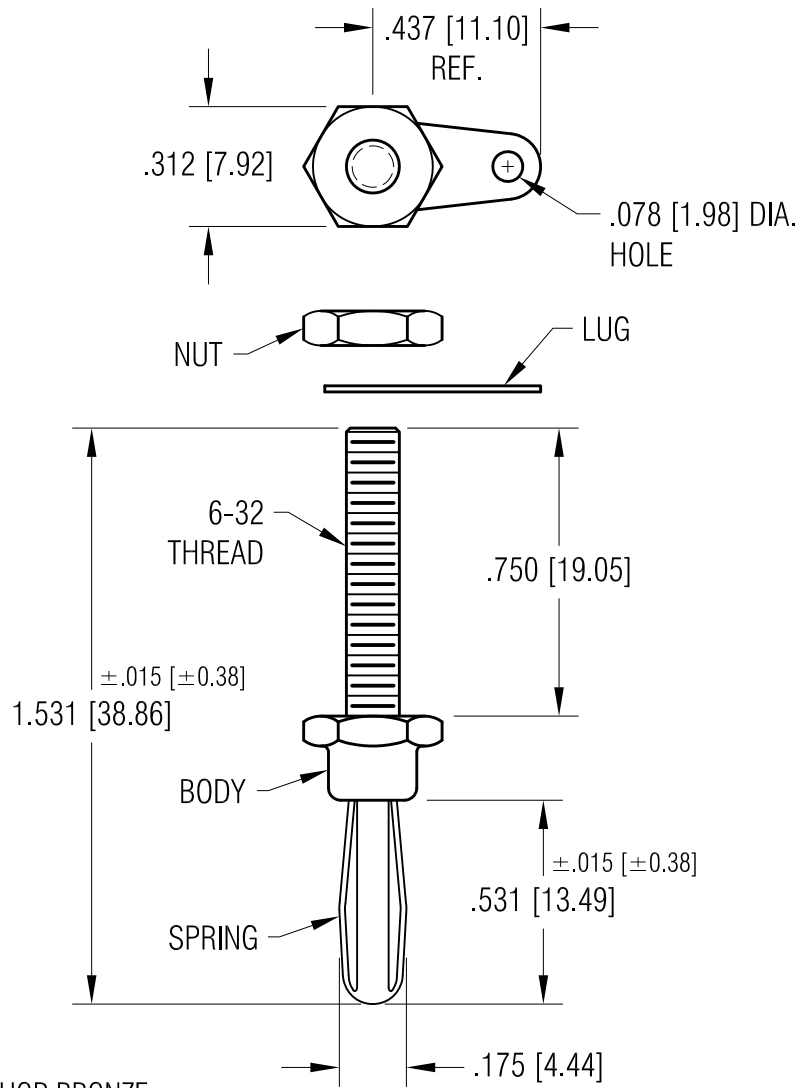


THIS DOCUMENT IS THE PROPERTY OF KEYSTONE ELECTRONICS CORP. AND SHALL NOT BE REPRODUCED, DISTRIBUTED OR USED AS A BASIS FOR MANUFACTURE WITHOUT PRIOR WRITTEN PERMISSION FROM KEYSTONE ELECTRONICS CORP.

ACTUAL SIZE



NOTES:

- 1. SPRING: MAT'L - PHOSPHOR BRONZE
FINISH - NICKEL PLATE
- BODY: MAT'L - BRASS
FINISH - NICKEL PLATE
- NUT: MAT'L - BRASS
FINISH - ZINC PLATE
- LUG: MAT'L - BRASS
FINISH - TIN PLATE

2. NUT AND LUG SUPPLIED UNASSEMBLED.

7.08.08	CHANGE AS PER ECN 08-117	D
11.1.07	CHANGE AS PER ECN 07-075	C
1.10.02	CHANGE AS PER ECN 02-002	B
DATE	DESCRIPTION	REV.

KEYSTONE ELECTRONICS CORP.			
www.keyelco.com • NEW HYDE PARK, NY 11040 • Tel (516) 328-7500			
PART NAME			
EXTERNAL THREADED BANANA PLUG			
MATERIAL			
AS NOTED			
FINISH		DRN BY	DATE
AS NOTED		BOONE	12.17.82
		APP'D	SCALE
		LN	2X
TOLERANCES	INCH [MM]	CODE	DWG NO.
DECIMAL	± .005 [± 0.13]	C	6074-2
ANGULAR	± 1°		
UNLESS OTHERWISE SPECIFIED			