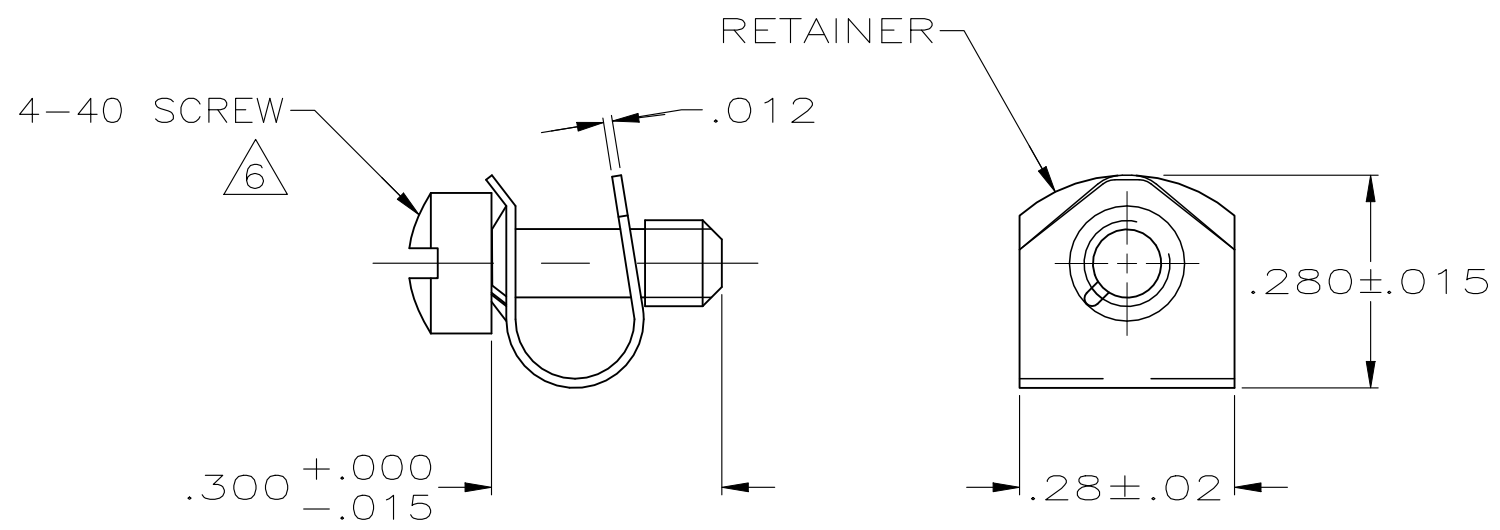
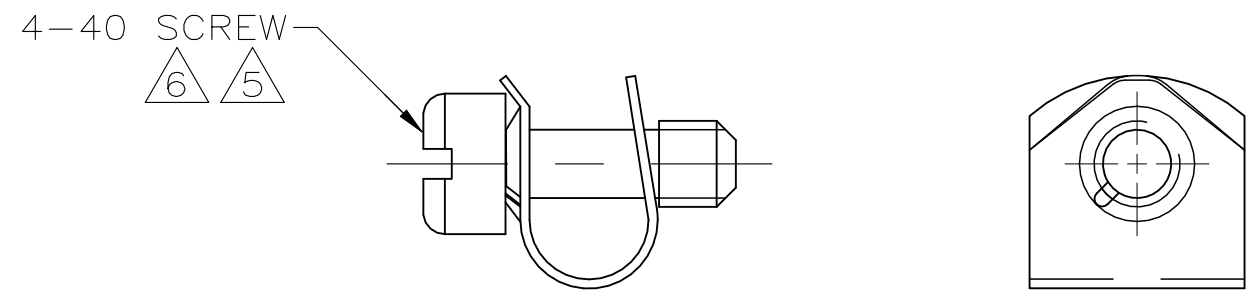


REVISIONS					
P	LTR	DESCRIPTION	DATE	DWN	APVD
	A2	REVISED PER ECN-22-152322	05MAY2022	PT	SZ



- ① SCREW: CARBON STEEL.
RETAINER: STAINLESS STEEL.
- ② SCREW: ZINC PLATED .000200-.000400 THICK, CLEAR CHROMATE COATING.
- ③ 2 EACH PACKAGED UNASSEMBLED AS A UNIT KIT.
- ④ INDIVIDUALLY BULK PACKAGED UNASSEMBLED AND SHIPPED AS A UNIT PACKAGE.
- ⑤ ALTERNATE SCREW HEADSHAPE
- ⑥ NUMBER 4 FILLISTER HEAD PER ANSI B18.6.3



④	5746881-2
③	5746881-1
PACKAGING	PART NUMBER

**COPYRIGHT 2005
TE CONNECTIVITY CORP
ALL RIGHTS RESERVED**

THIS DRAWING IS A CONTROLLED DOCUMENT.		DWN	J.GERACE	14OCT05	TE Connectivity													
DIMENSIONS: INCHES		CHK	C.ROHDE	14OCT05														
TOLERANCES UNLESS OTHERWISE SPECIFIED:		APVD	M.WALMSLEY	14OCT05														
<table border="0"> <tr><td>0 PLC</td><td>± -</td></tr> <tr><td>1 PLC</td><td>± -</td></tr> <tr><td>2 PLC</td><td>± -</td></tr> <tr><td>3 PLC</td><td>± .005</td></tr> <tr><td>4 PLC</td><td>± -</td></tr> <tr><td>ANGLES</td><td>± -</td></tr> </table>		0 PLC	± -	1 PLC				± -	2 PLC	± -	3 PLC	± .005	4 PLC	± -	ANGLES	± -	PRODUCT SPEC	NAME
0 PLC	± -																	
1 PLC	± -																	
2 PLC	± -																	
3 PLC	± .005																	
4 PLC	± -																	
ANGLES	± -																	
MATERIAL		APPLICATION SPEC		RESTRICTED TO		-												
①		FINISH		②		SIZE	CAGE CODE	DRAWING NO	RESTRICTED TO									
				WEIGHT		0.000000	A3	00779	C=5746881									
		CUSTOMER DRAWING		SCALE		4:1	SHEET	1 OF 1	REV									
									A2									