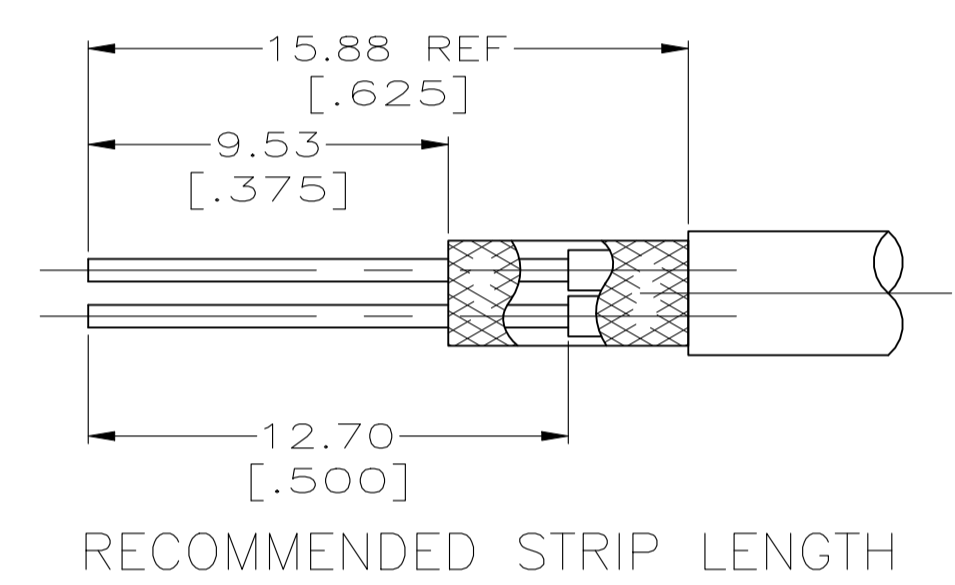
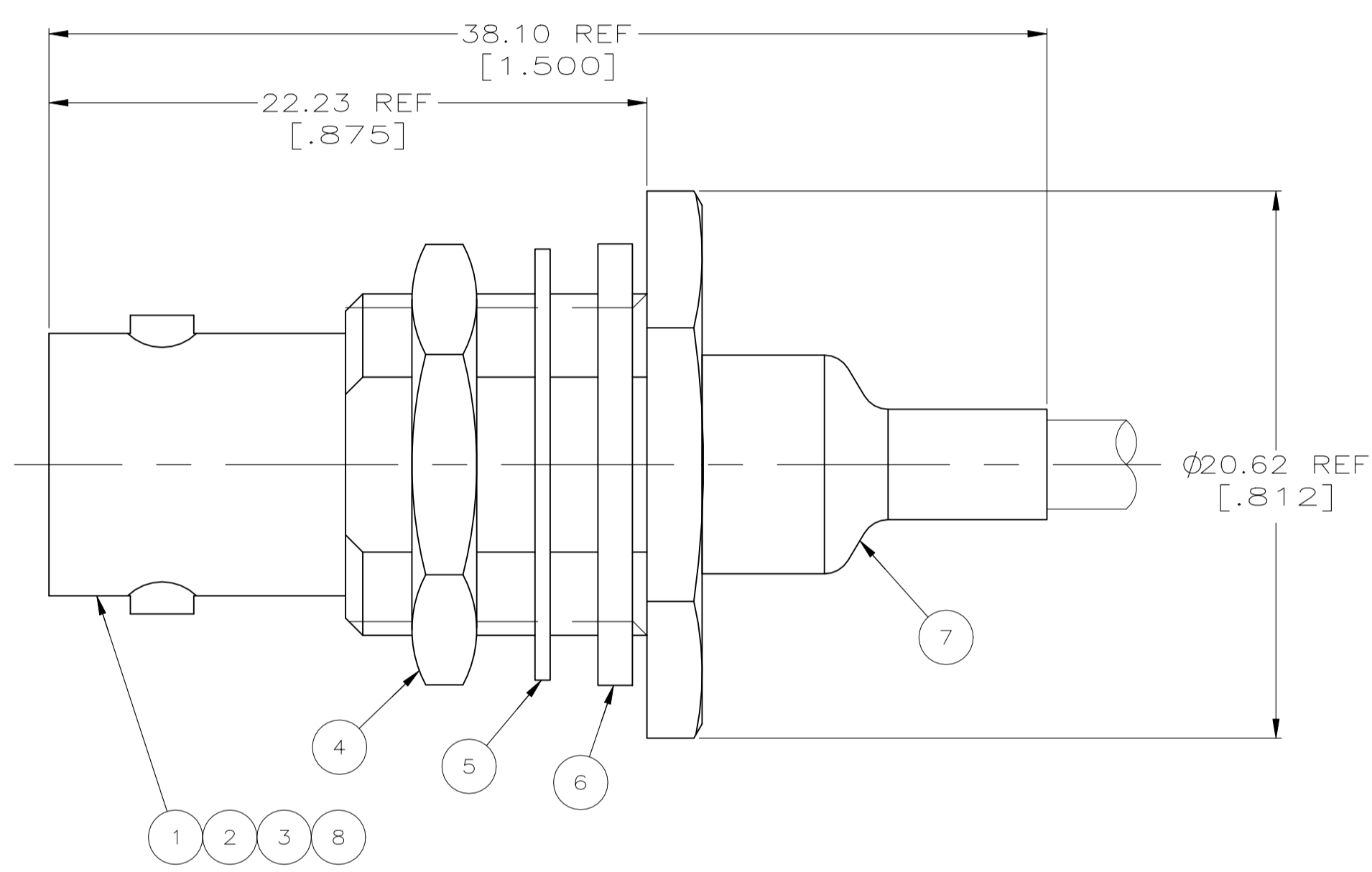
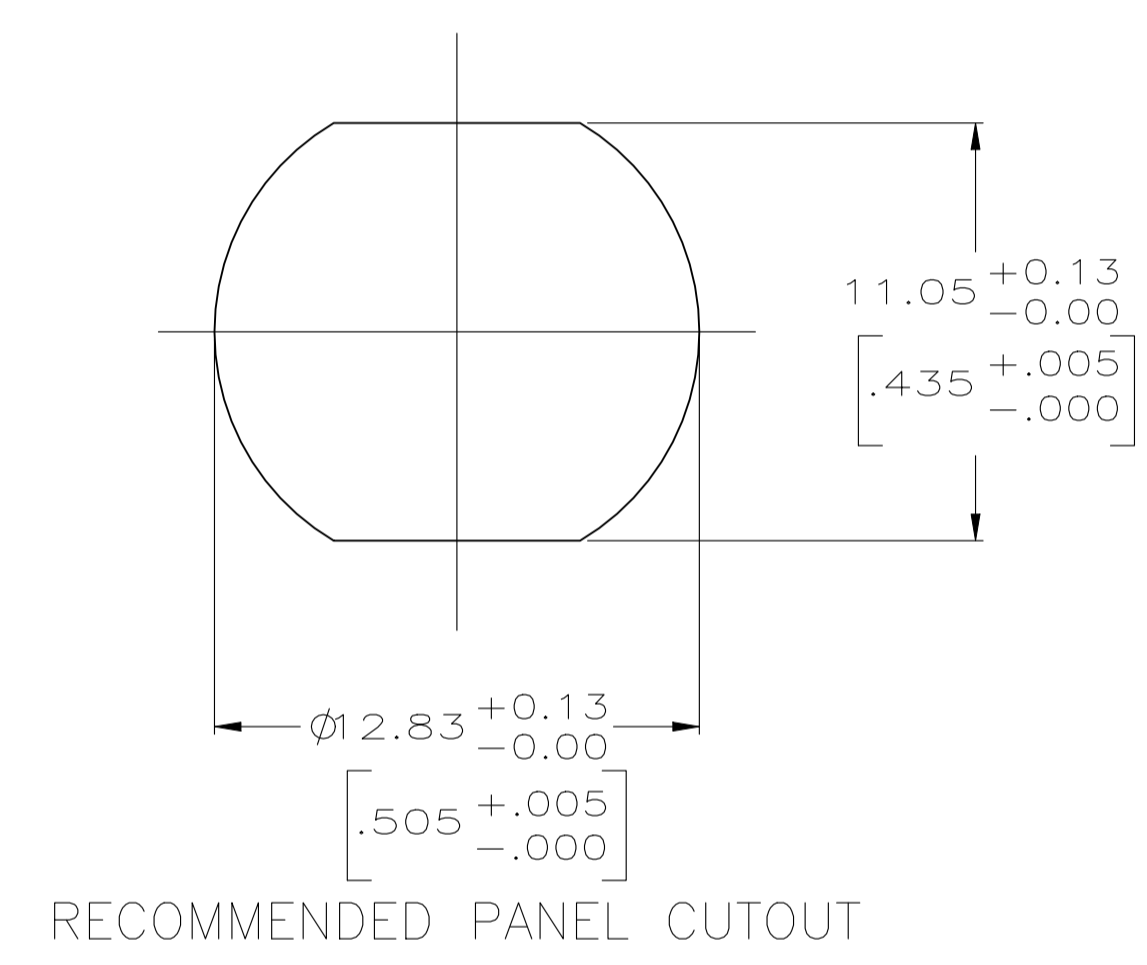


REVISIONS					
P	LTR	DESCRIPTION	DATE	DN	APVD
A1		REVISED PER ECN-21-122181	26OCT2021	RZ	WK

- 1. CRIMP USING PRO-CRIMPER 354940-1 WITH DIE SET 91909-1.
- 2. PARTS PACKAGED UNASSEMBLED.



RG-108 & 108A	1	1-332210-0	9-332224-1	329633	9-329632-0	9-329631-0	332214	1-332221-0	9-329791-1	5332342
FOR USE WITH CABLE	CRIMP TOOL	8 DIELECTRIC QTY=1	7 FERRULE QTY=1	6 GASKET QTY=1	5 LOCKWASHER QTY=1	4 JAM NUT QTY=1	3 SEAL QTY=1	2 CRIMP END ASSEMBLY QTY=1	1 BODY, JACK, BULKHEAD QTY=1	PART NUMBER

THIS DRAWING IS A CONTROLLED DOCUMENT.

DIMENSIONS: mm [INCHES]	TOLERANCES UNLESS OTHERWISE SPECIFIED:	DIN L. VARELA - DOCKS 21APR2005	
0. PLC ± -	1. PLC ± -	CHK J. HAVENER 21APR2005	
2. PLC ± -	3. PLC ± 0.41 [016]	APVD J. LIPPERT 21APR2005	NAME JACK, BHD, TWIN BNC
4. PLC ± -	ANGLES ± -	PRODUCT SPEC	APPLICATION SPEC
MATERIAL	FINISH	WEIGHT 0.000000	SIZE A1
		CUSTOMER DRAWING	SCALE 5:1
			SHEET 1 of 1
			REV A1